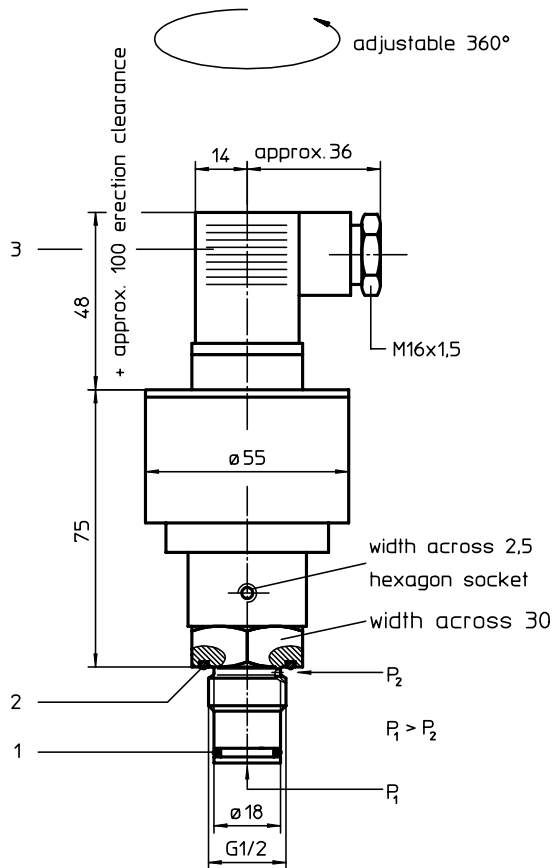


ELECTRONICAL CLOGGING SENSOR

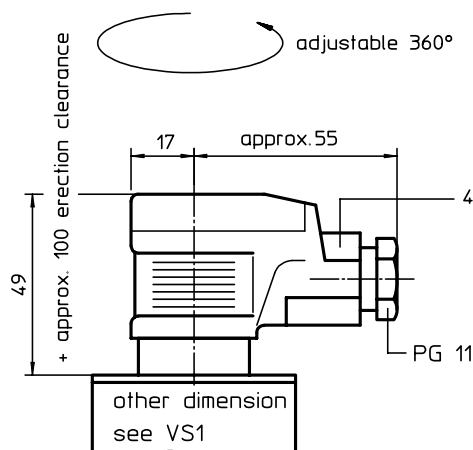
Series VS 2 (thread execution)

Sheet No.
1618 E

Clogging sensor VS 2 ... GS



Clogging sensor VS 2 ... SS1



1. Type index: (ordering example)

VS 2. 1,5. P. -. GS. -. E
1 2 3 4 5 6 7

- 1 **series:**
VS2 = electrical clogging sensor with
2x PNP-switching contacts (75% and 100% of the Δp -nominal range)
- 2 **indicator-pressure difference:** (Δp -nominal)
1,5 = 1,5 bar
2,5 = 2,5 bar
5,0 = 5,0 bar
6,0 = 6,0 bar
- 3 **sealing material:**
P = Nitrile (NBR)
V = Viton (FPM)
- 4 **material:** (screw-in-housing)
- = standard
VA = stainless steel
- 5 **connection:**
GS = line adapter acc. to DIN 43650-designA/ISO4400,
three-channel plug
SS1 = line adapter acc. to DIN 43650-designA/ISO4400,
three-channel plug with LED switch-position indicator for VS 2
- 6 **execution:**
- = standard
- 7 **earthing:**
E = 0 volt free of earthing
G = 0 volt earthed

2. Technical data:

max. operating pressure:	420 bar
max. pressure difference:	160 bar
distribution voltage:	24 V DC \pm 20%
	residual ripple: < 10%
temperature range:	- 10 °C to + 100 °C (fluid) - 10 °C to + 80 °C (electronics)
PNP-switching contacts:	contact maker; I_{max} = 200 mA with 24V
protection:	IP65 acc. to DIN EN 60529

3. Functions:

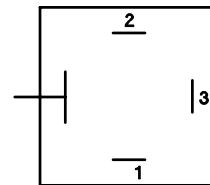
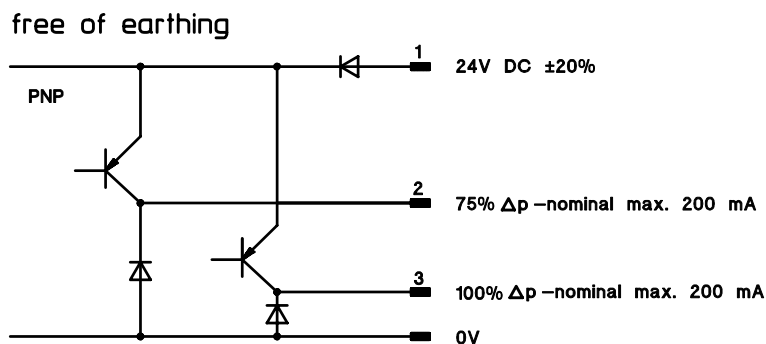
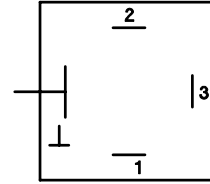
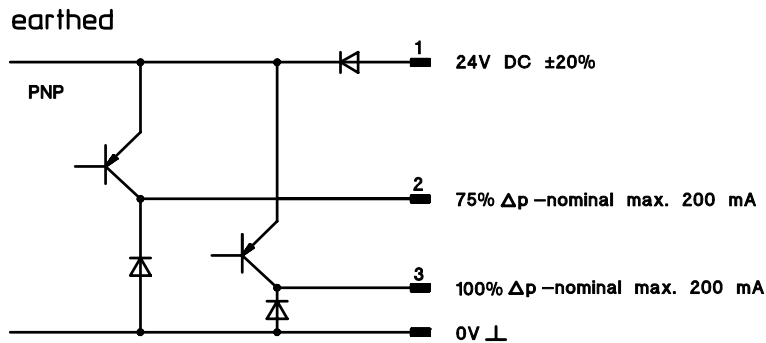
- Discrete control of the filter contamination by means of two PNP-switching contacts (75% and 100% of the Δp -nominal range)
- Indication of switching position by LED immediately at the sensor in connection with the signal plug SS1
- Cold start suppression up to approx. 25°C
- Suppression of pressure peaks
- Interchangeable with clogging indicator type AE (INT)

4. Spare parts:

item	qty.	designation	dimension	article-no.	
1	1	O-ring	14 x 2	304342 (NBR)	304722 (FPM)
2	1	O-ring	22 x 2	304708 (NBR)	304721 (FPM)
3	1	GS	DIN 43650-designA/ISO4400	312492	
4	1	SS1	DIN 43650-designA/ISO4400	310403	

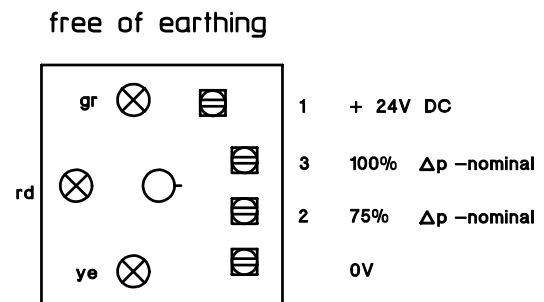
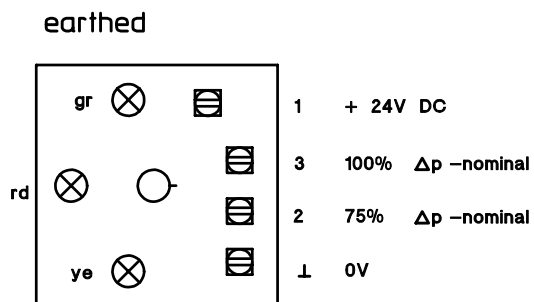
5. Connection configuration :

Connection configuration VS 2



Connection configuration SS 1

The signal plug SS1 is used to indicate the actual switching position at the VS2.



LED - green - on: operating pressure in on-position
 LED - yellow - on: switching contact 75% Δp -nominal switched
 LED - red - on: switching contact 100% Δp -nominal switched