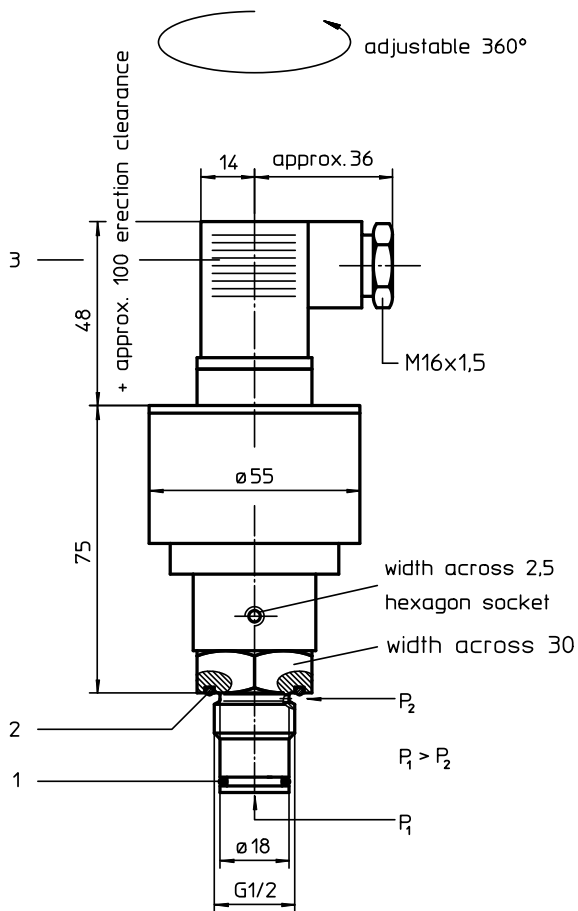


ELECTRONICAL CLOGGING SENSOR

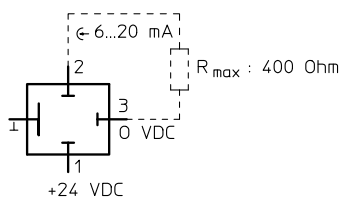
Series VS1.49211 (thread execution)

Sheet No.
49211-4B
replaces sheet-no. 1617

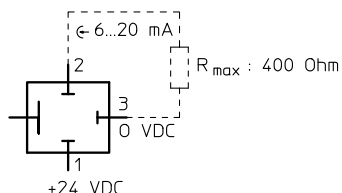


Connection configuration

housing earthed
(with earth screw)



housing
free of earthing



4. Spare parts:

item	qty.	designation	dimension	article-no.	
1	1	O-ring	14 x 2	304342 (NBR)	304722 (FPM)
2	1	O-ring	22 x 2	304708 (NBR)	304721 (FPM)
3	1	GS	DIN 43650-BauformA/ISO4400	312492	

1. Type index: (ordering example)

VS1. 49211. 1,5. P. -. GS. -. E

1	2	3	4	5	6	7	8
---	---	---	---	---	---	---	---

1 | series:

VS1 = electronic clogging sensor with analog
6...20mA output signal

2 | execution according to sheet-no. 49211

3 | indicator-pressure difference: Δp -nominal

1,5 = 1,5 bar
2,5 = 2,5 bar
5,0 = 5,0 bar
6,0 = 6,0 bar

4 | sealing material:

P = Nitrile (NBR)
V = Viton (FPM)

5 | material:(screw-in-housing)

- = standard
VA = stainless steel

6 | connection:

GS = line adapter acc. to DIN 43650-designA/ISO4400
three-channel plug

7 | execution:

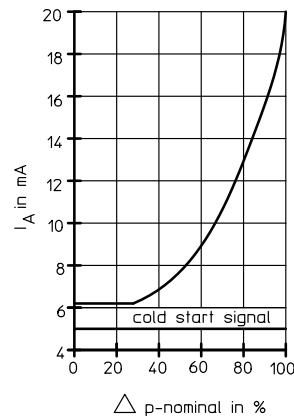
- = standard

8 | earthing:

E = housing not connected with protective earth contact
G = housing connected with protective earth contact

2. Technical data:

max. operating pressure:	420 bar
max. pressure difference:	160 bar
distribution voltage:	24 V DC \pm 20%
residual ripple:	< 10%
temperature range:	- 10 °C to + 100 °C (fluid) - 10 °C to + 80 °C (electronics)
output signal:	6...20mA;
cold start:	5mA
max. load:	400 Ohm
error of measurement:	three-wire system current source \pm 5% v. Δp -nominal



3. Functions:

- Continuous pressure difference measuring
- Cold start indication up to approx. + 25°C
- Suppression of pressure peaks
- Dust-proof and splash-proof aluminium or stainless steel housing
- Interference-free signal transmission over longer distances
- Optimal utilization of the filter elements based on a high definition of the measure value within the final measure range
- Interchangeable with clogging indicator type AE (INT)

EDV 02/11

Changes of measures and design are subject to alteration!

internormen
technology

Friedensstrasse 41, 68804 Altlusheim, Germany

phone +49 - (0)6205 - 2094-0
fax +49 - (0)6205 - 2094-40

e-mail sales@internormen.com
url www.internormen.com

