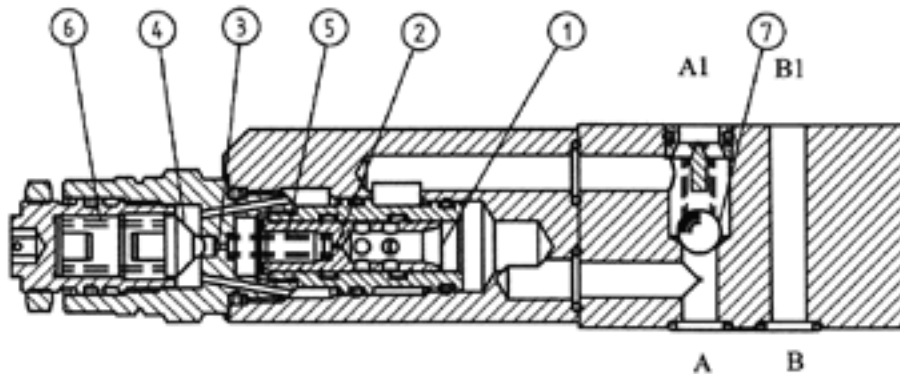


**APPLICATION**

UZRR 6 type reducing valve is used for reducing pressure in hydraulic systems



**DESCRIPTION OF OPERATION**

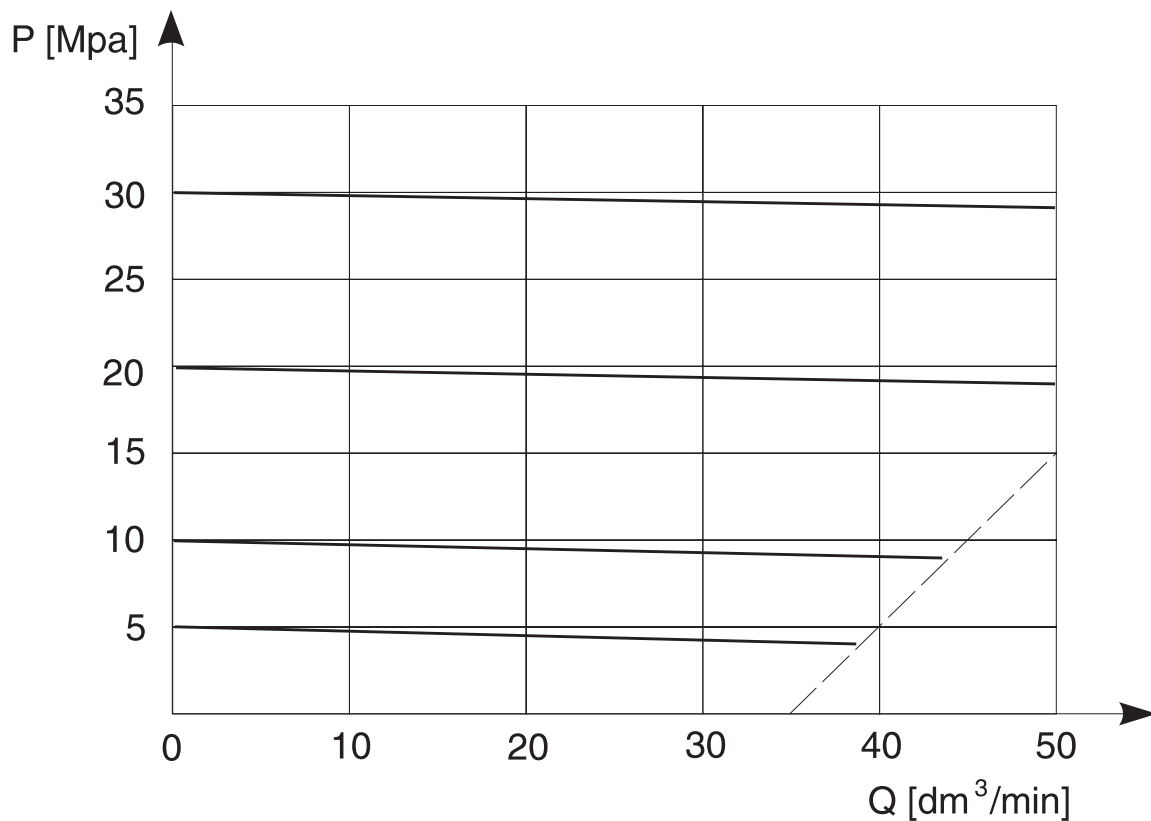


The valve consists of pilot valve and main valve. The reduced pressure acts on the lower face of main spool 1, and through nozzle 2 also on the upper face and through nozzle 3 on pilot valve poppet 4. In rest position the pressure on both sides of the main spool 1 is identical. Spring 5 maintains the spool in initial (open) position. Lines P and P1 (A1 to A, B1 to B) are interconnected. When the pressure attains the value determined by the tension of spring 6, the pilot valve 4 opens and oil flows through nozzle 2. A pressure drop is created across the nozzle, which acts on the upper and lower faces of spool 1 and moves it causing throttling of flow from P to P1 (A1 to A, B1 to B). Unrestricted flow in opposite direction is effected through non-return valve 7 (design with non-return valve AZ; BZ).

## TECHNICAL DATA

Hydraulic fluid	Mineral oil or phosphate ester
Nominal viscosity	37 mm <sup>2</sup> / s at temp. 328 K
Viscosity range	up 2,8 to 380 mm <sup>2</sup> / s
Optimum working temperature ( fluid in a tank )	up 313 to 328 K
Temperature range	up 253 to 343 K
Maximum pressure at working	29 MPa
Pressure range set	up 5; up 10; up 20; up to 29 { MPa }
Input pressure	up 29 MPa
Output pressure	0,3 - 29 MPa
Maximum pressure set	29 MPa
Maximum flow ( dm <sup>3</sup> / min )	50 dm <sup>3</sup> / min
Required oil filtration	up 16 μm
Recommended filtration	up 10 μm
Weight	~1,7 kg

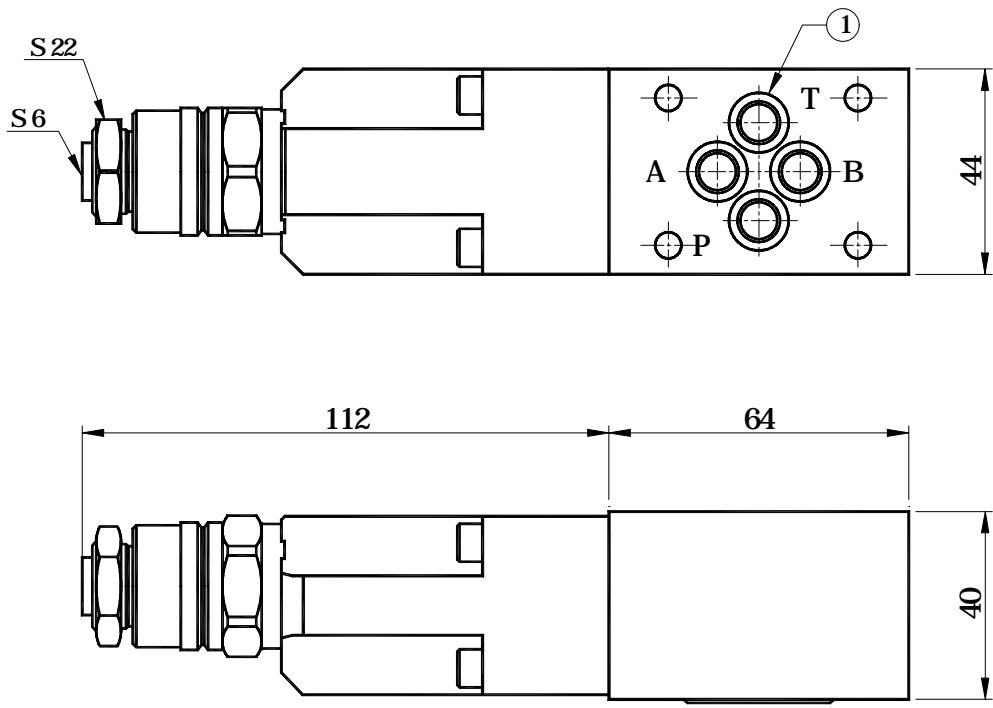
### OPERATING CURVES, at $v = 41 \text{ mm}^2/\text{s}$ , temp. = 323 K



Pressure set in relation to flow.

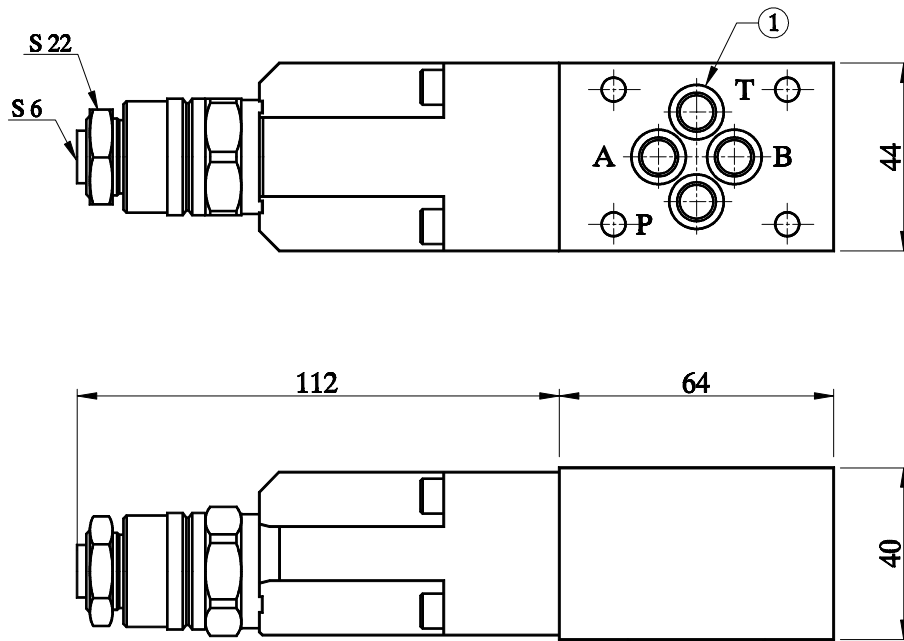
**OVERALL AND MOUNTING DIMENSIONS:**

Version P

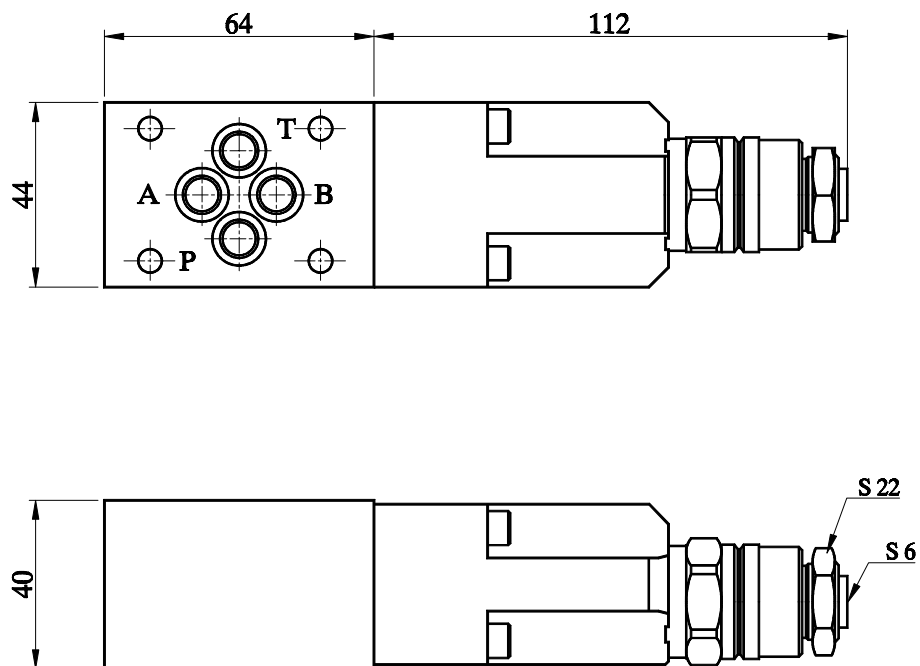


**OVERALL AND MOUNTING DIMENSIONS:**

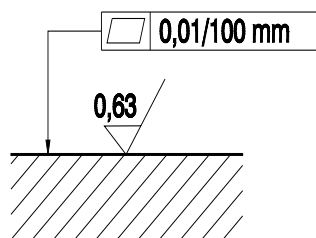
Version A; AZ



Version B; BZ

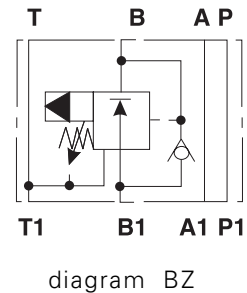
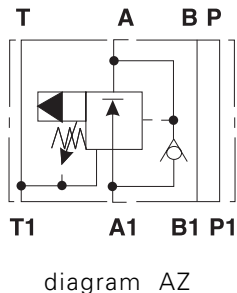
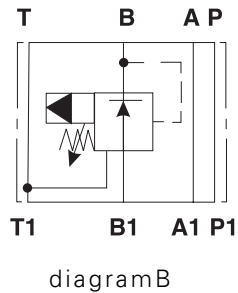
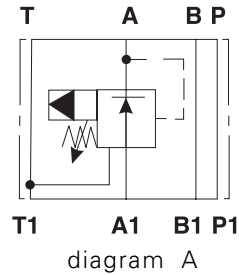
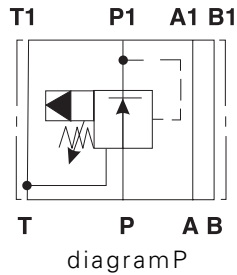


1 - O-ring 9.2 × 1.8 - 4 pcs



Admissible surface roughness and flatness deviation for a subplate.

## HYDRAULIC DIAGRAMS:



## HOW TO ORDER

Orders coded as below should be forwarded to the manufacturer.

<b>UZRR 6</b>	/	-	<b>2</b>			*
---------------	---	---	----------	--	--	---

### Series number

22 = 22  
 ( 22 - 29 ) - installation and connection diameters remain unchanged

### Set pressure range

up to 5 MPa = 50  
 up to 10 MPa = 100  
 up to 20 MPa = 200  
 up to 29 MPa = 290

### Adjustment

Internal hexagon bolt = 2

### Connections to diagram

Reduction in line P = P  
 Reduction in line A = A  
 Reduction in line B = B  
 Reduction in line A + non-return valve = AZ  
 Reduction in line B + non-return valve = BZ

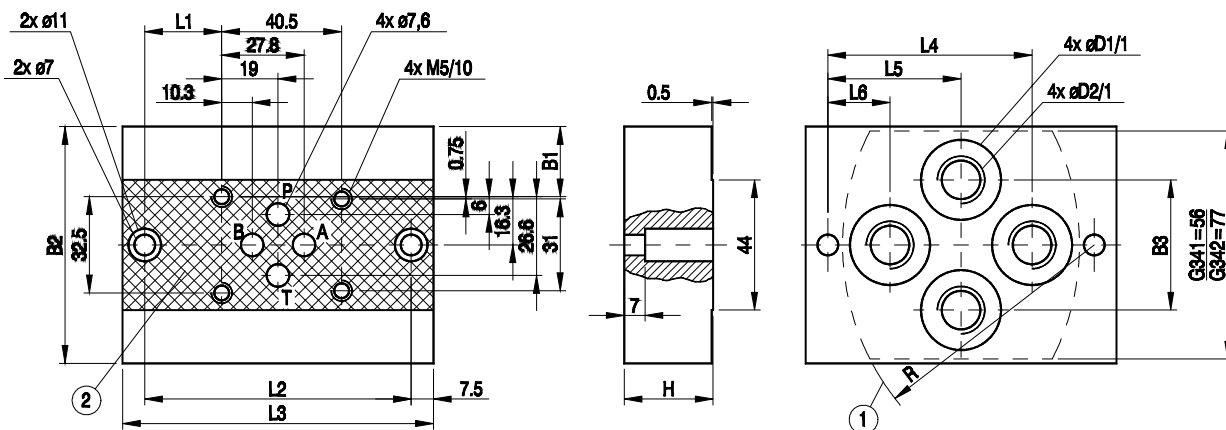
### Sealing

Rubber = no code  
 Viton = V

Further requirements in clear text ( to be agreed upon with the manufacturer )

Coding example:  
**UZRR6 - 22/ 200 - 2AZ**

# CONNECTION DIMENSIONS FOR SUBPLATE



1 - Recess in subplate

Type	B1	B2	B3	L1	L2	L3	L4	L5	L6	H	D1	D2	R	T
G341/01	12.7	58	34	21	80	95	55	40	25	25	22	G 1/4	70	13
G342/01	23.7	80	44	26	90	105	69	45	21	30	28	G 3/8	85	13
G341/02	12.7	58	34	21	80	95	55	40	25	25	22	M14x1.5	70	15
G342/02	23.7	80	44	26	90	105	69	45	21	30	27	M16x1.5	85	15

Weight of subplate G 341 ... ~ 1 kg  
 Weight of subplate G 342 ... ~ 1.9 kg

Subplate must be ordered separately.

Fixing the valve to the subplate should be done by means of 4 bolts M5 x .... - 10.9 PN-74/M-82302 ( DIN 912 - 10.9 )  
 Tightening torque - 8,8 Nm.

PONAR WADOWICE S.A.  
ul. Wojska Polskiego 29  
34-100 Wadowice  
tel. 033/ 823 39 43, 823 30 41  
fax 033/ 873 48 80  
e-mail: ponar@ponar-wadowice.pl

