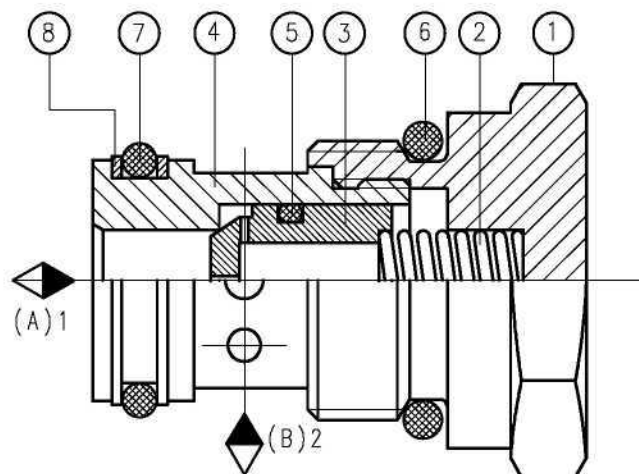


### APPLICATION

The valves type UDSD 6 are pressure and viscosity dependent throttle/check valves. They are designed to control fluid flow rate in one direction and allow free flow in the opposite direction.



### DESCRIPTION OF OPERATION



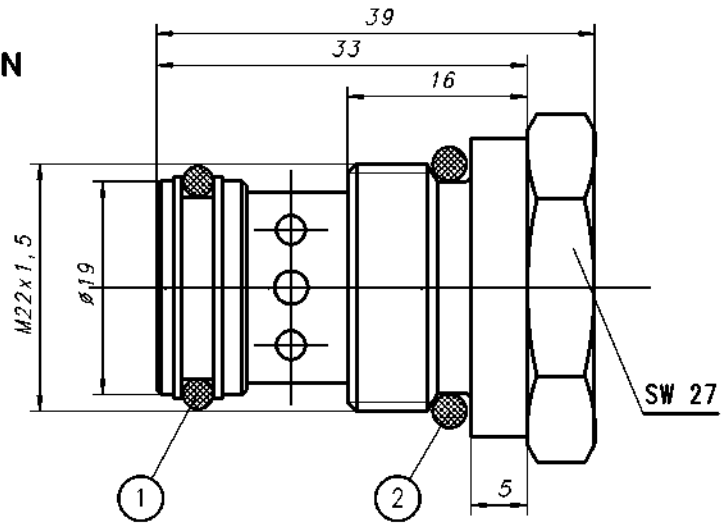
In throttling direction oil flows from connection A (B) to connection B (A) via a hole in poppet (3). Throttling depends on the hole diameter in the poppet (3). In the opposite direction oil flow acts on the surface face of the poppet (3).

The poppet (3) is lifted from its seat and fluid flows freely through the valve.

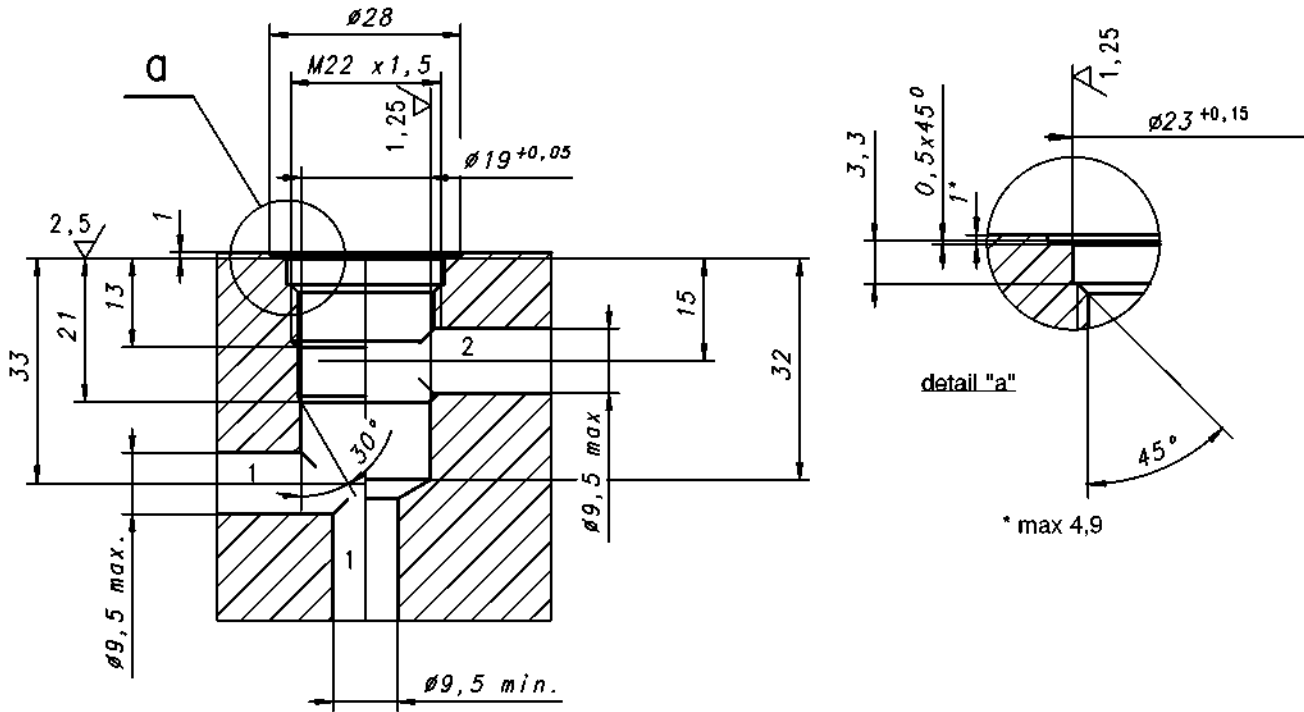
### TECHNICAL DATA

Working fluid	Mineral oil
Nominal fluid viscosity	37 mm <sup>2</sup> /s at temperature 328 K (55 °C)
Viscosity range	2,8 up to 380 mm <sup>2</sup> /s
Optimum working temperature range	313 up to 328 K (40 up to 55 °C)
Fluid temperature range	243 up to 343 K (-30 up to 70 °C)
Required fluid filtration	16 μm
Recommended fluid filtration	10 μm
Max working pressure	29 MPa
Cracking pressure	from 0,1 to 0,5 MPa
Weight	0,1 kg

# OVERALL AND CONNECTION DIMENSIONS

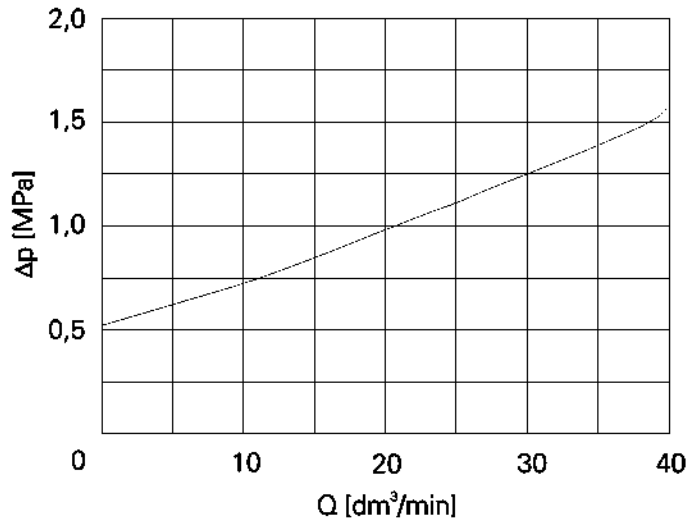


pos.1 "O-ring" 15,6 x 1,78  
pos.2 "O-ring" 18 x 2,65

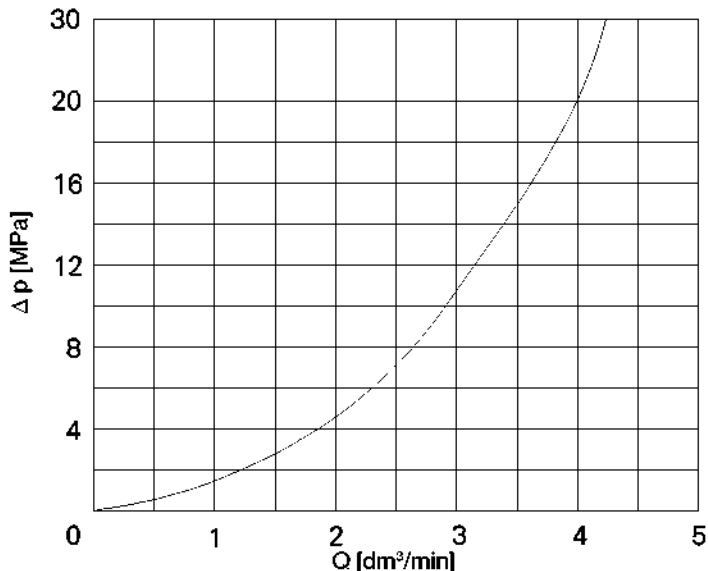


Dimensions of cavity  
Tightening torque for cartridge valve - 80Nm  
Mounting position-unrestricted

Performance curves at  $n=41\text{mm}^2/\text{s}$  and temperature 323 K  
 $\Delta p = Q$  curve -via open check valve

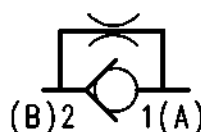
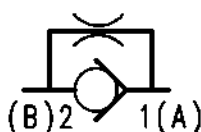


$\Delta p = Q$  curve -via closed check valve with open throttle



**SYMBOL**

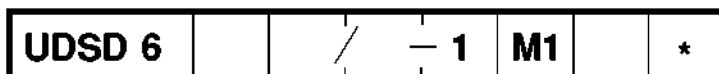
UDSD 6 A ...



UDSD 6 B ...

**HOW TO ORDER**

Orders coded in the way showed below should be forwarded to the manufacturer



<b>Direction of flow</b> Flow from 1 to 2 = A Flow from 2 to 1 = B	
<b>Series number</b> 02 = 02 (00 - 09) = installation and connection dimension unchanged	
<b>Cracking pressure</b> 0,1 MPa (only for valve A) = 10 0,15 MPa (only for valve A) = 15 0,3 MPa = 30 0,5 MPa = 50	
<b>Diameter of throttle hole</b> 1 mm = 1	
<b>Kind of cavity</b> Cavity M22x1,5 = M1	
<b>Sealing</b> for fluids on mineral oil base = no designation for fluid on phosphate ester base = V	
<b>Further requirements to be added in text (to agree with the manufacturer)</b>	

CODING EXAMPLE :  
**UDSD 6 A 02/50-1 M1 V**

PONAR WADOWICE S.A.  
ul. Wojska Polskiego 29  
34-100 Wadowice  
tel. 033/ 823 39 43,

