

LMP 900-901

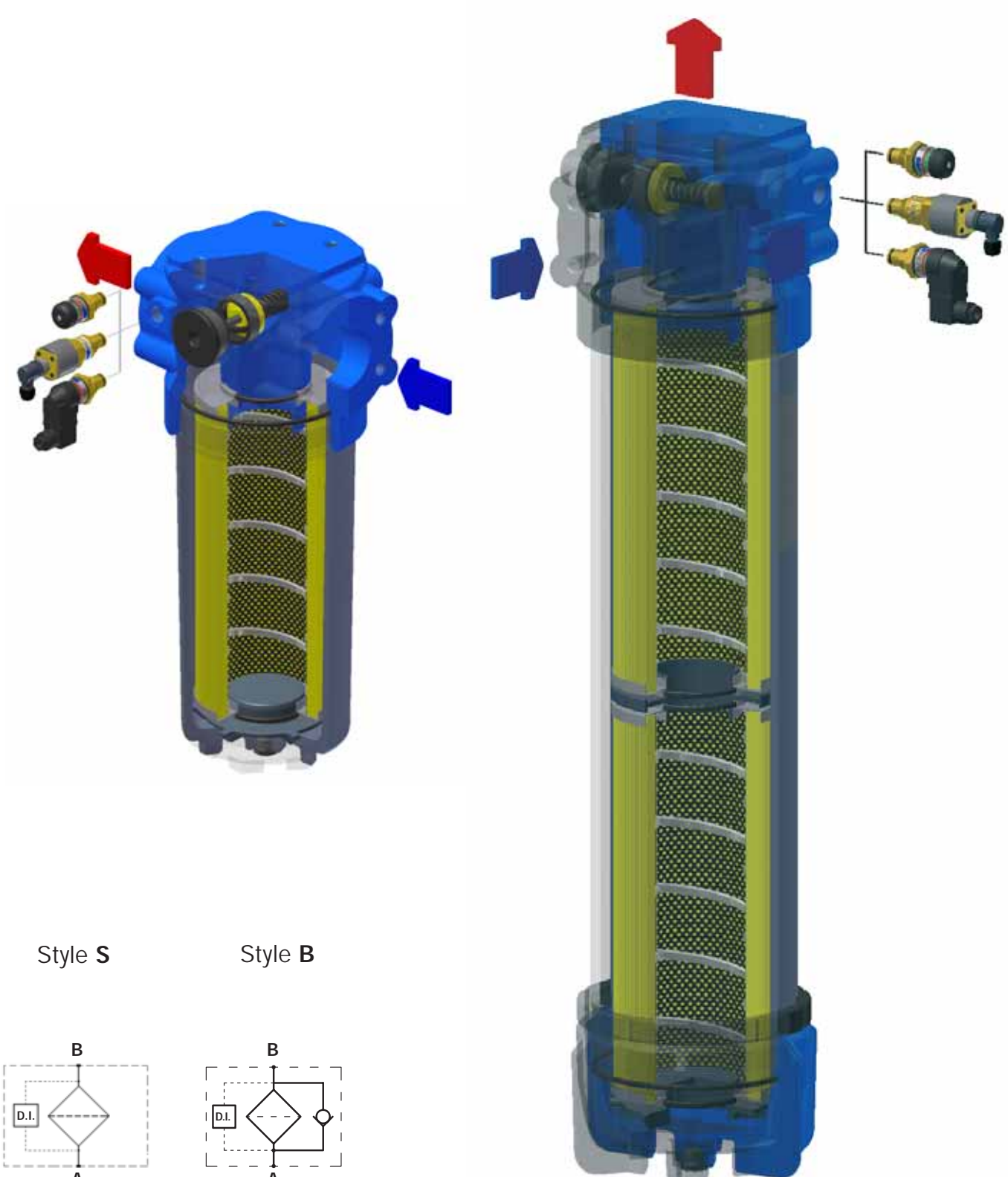


LMP

SERIES 900 - 901

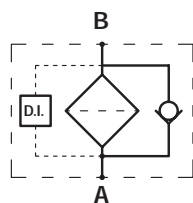
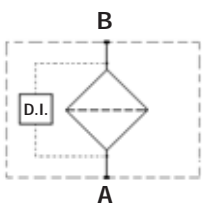
*Working pressure
30 bar*

*Filter elements in compliance with
DIN 24550 standards*



Style S

Style B



Technical data

Filter housing (Materials)

- Head: Anodised Aluminium
- Housing: Anodised Aluminium
- Bypass valve: Steel

Pressure

- Working pressure: 30 bar (3 MPa)
- Test pressure: 45 bar (4.5 MPa)
- Burst pressure: 120 bar (12 MPa)
- Pulsed pressure fatigue test: 1.000.000 cycles with pressure from 0 to 30 bar (3 MPa)

Temperature

- From -25°C to +110°C

Bypass valve

- Opening pressure 3.5 bar \pm 10%
- Other opening pressures on request.

Number of filter elements

- LMP 900-1: 1 filter element CU900
- LMP 900-2: 2 filter elements CU900

Filter elements

- Filter element in compliance with DIN 24550 standard
Size: 1000

Elements type Δp

- Series N and W elements: 20 bar
- Oil flow from exterior to interior.

Seals

- Standard NBR series A
- Optional FPM series V

Weights (kg)

Length

- LMP900 -1 19.2
- LMP900 -2 30.4

Volumes (dm³)

Length

- LMP900 -1 16
- LMP900 -2 24

Connections

In-line Inlet/Outlet LMP 900
90° Inlet/Outlet LMP 901

Compatibility

- Housings compatible with:
Mineral oils to ISO 2943 - aqueous emulsions
synthetic fluids, water and glycol.

- The filter elements are compatible with:
Mineral oils to ISO 2943, Synthetic fluids
Aqueous emulsions, water and glycol (series W required).
- NBR seals series A, compatible with:
Mineral oils to ISO 2943 - aqueous emulsions
synthetic fluids, water and glycol.
- V series FPM seals, compatible with:
Synthetic fluids type HS-HFDR-HFDS-HFDU
To ISO 2943

Filter Element Area

Filter element in stainless steel mesh
Length

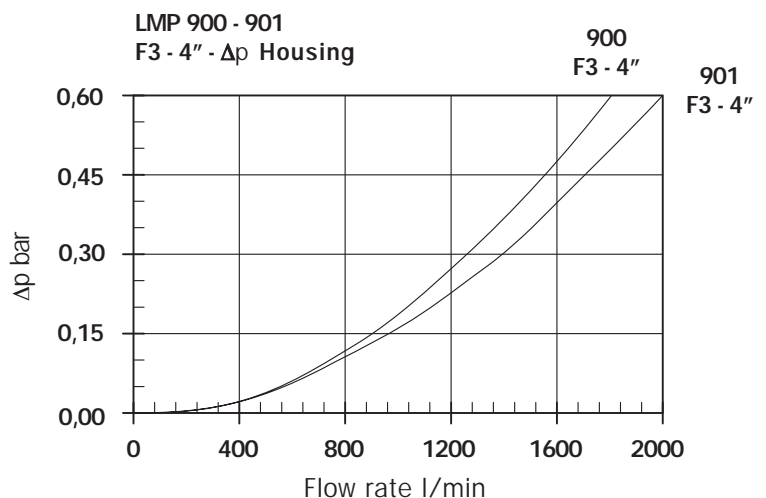
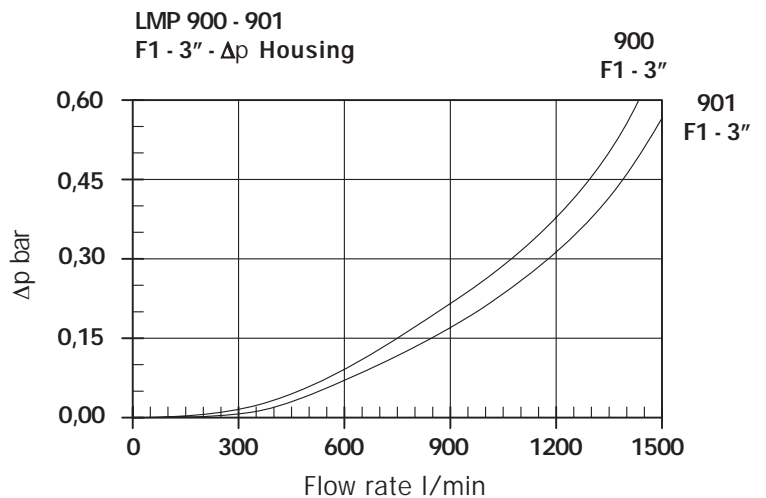
| Type | 1 | 2 |
|--------|-------|-------|
| CU 900 | 13000 | 26000 |

Values expressed in cm²

Filter housing Δp pressure drop

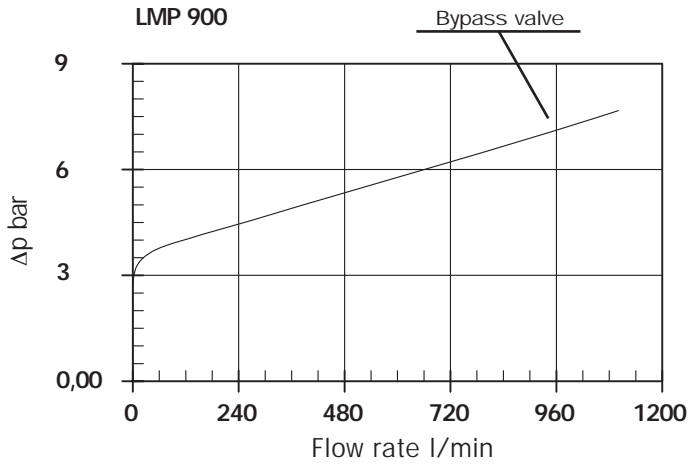
The curves are plotted utilising mineral oil with density of 0.86 kg/dm³ to ISO 3968.

Δp varies proportionally with density.



Valves

Bypass valve pressure drop



Recommended maximum flow rate

Recommended maximum flow rate for filters installed on lubrication lines, return or in-line filters is defined by the maximum oil velocity in the connections.

For filters mounted on Off-Line lines the maximum recommended flow rate is defined by the pressure drop of the filter element.

Filter for pressurised lubrication, max. oil velocity 2.5 m/sec.
Return or in-line filter, max oil velocity 5 m/sec.

| Oil velocity | Connections | |
|--------------|-------------|------|
| | 3" | 4" |
| 2,5 m/sec. | 750 | 1200 |
| 5 m/sec. | 1500 | 2400 |

Flow rate l/min

Off-Line filter, filter element recommended maximum pressure drop must be equal to $\Delta p 0.2 \div 0.3$ bar.

LMP 900

Length 2



LMP 900 - 901 filters are equipped with two 1000 size cartridges in compliance with DIN 24550 standard, connected by means of a removable coupling spigot.

Coupling spigot

Recommended maximum flow rate

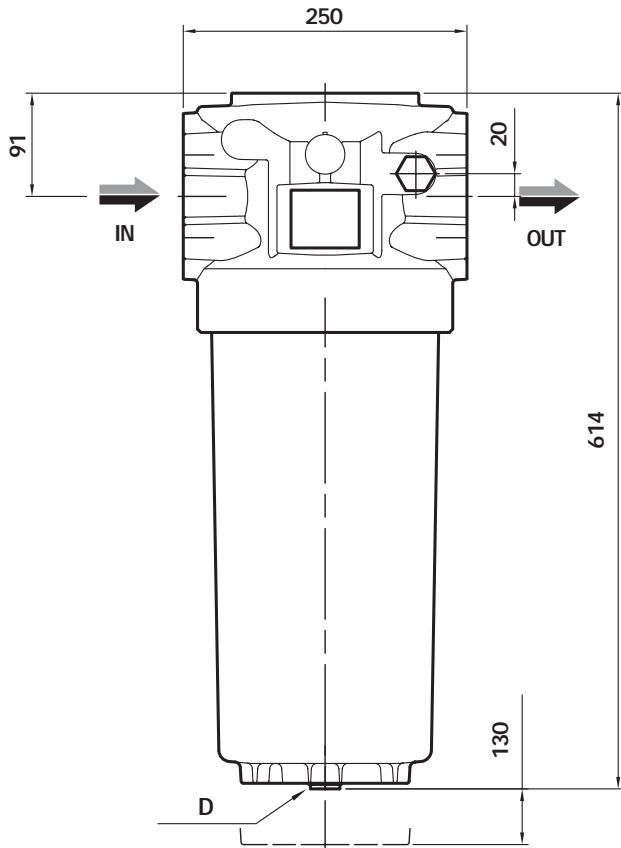
- Pressure drop of filter assembly equal to $\Delta p 0.6$ bar.
- Oil kinematic viscosity 30 mm²/s (cSt).
- Density 0.86 kg/dm³.

| Filter element type | Flow rate l/min Series N | Filter length | Connections |
|---------------------|--------------------------|---------------|--------------------------|
| A03 | 600 | 1 | Flange SAE 3000 3" |
| A06 | 750 | | |
| A10 | 1100 | | |
| A16 | 1150 | | |
| A25 | 1250 | | |
| M25 | 1500 | | |
| A03 | 950 | 2 | Flange SAE 3000 3" |
| A06 | 1100 | | |
| A10 | 1300 | | |
| A16 | 1350 | | |
| A25 | 1400 | | |
| M25 | 1500 | | |
| A03 | 650 | 1 | Flange SAE 3000 4" |
| A06 | 800 | | |
| A10 | 1200 | | |
| A16 | 1250 | | |
| A25 | 1400 | | |
| M25 | 1900 | | |
| A03 | 1000 | 2 | Flange SAE 3000 4" |
| A06 | 1200 | | |
| A10 | 1550 | | |
| A16 | 1550 | | |
| A25 | 1650 | | |
| M25 | 2000 | | |

Dimensions

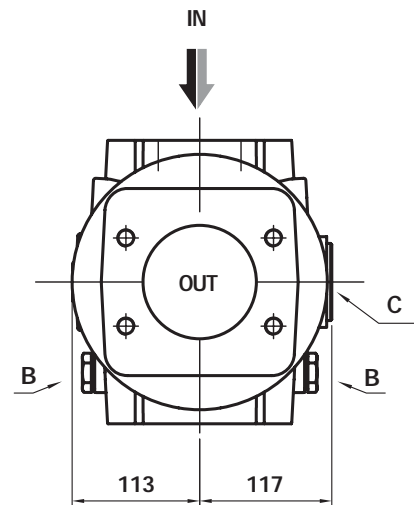
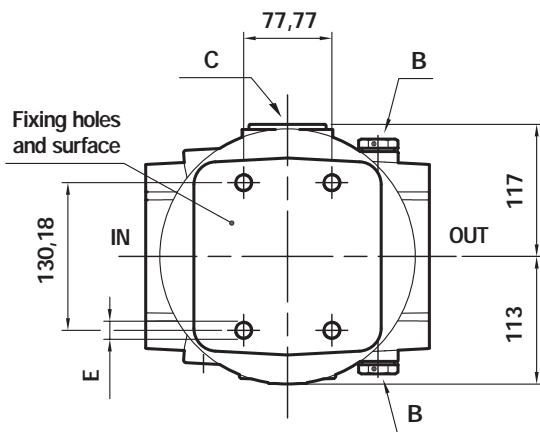
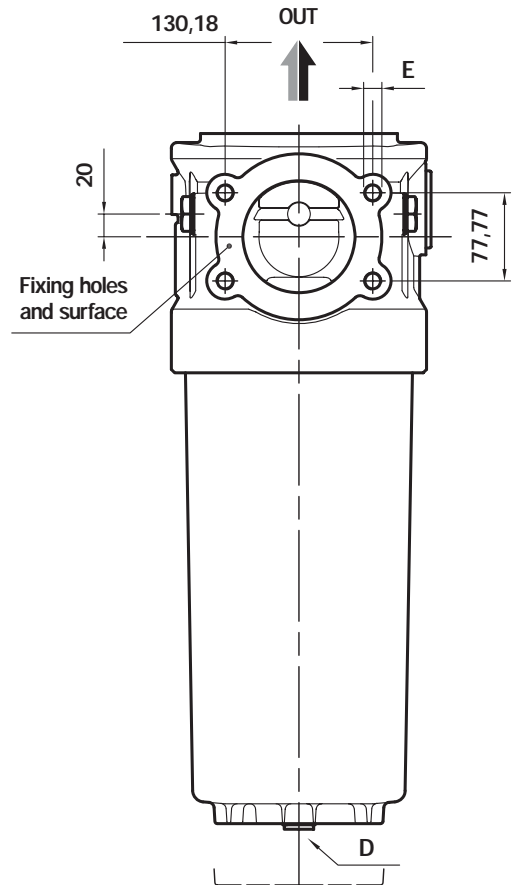
LMP 900

Length 1



LMP 901

Length 1



Flanged IN/OUT connections

E
Depth 25 mm

3" SAE
3000 psi/M

M16

4" SAE
3000 psi/M

M16

3" SAE
3000 psi/UNC

5/8" UNC

4" SAE
3000 psi/UNC

5/8" UNC

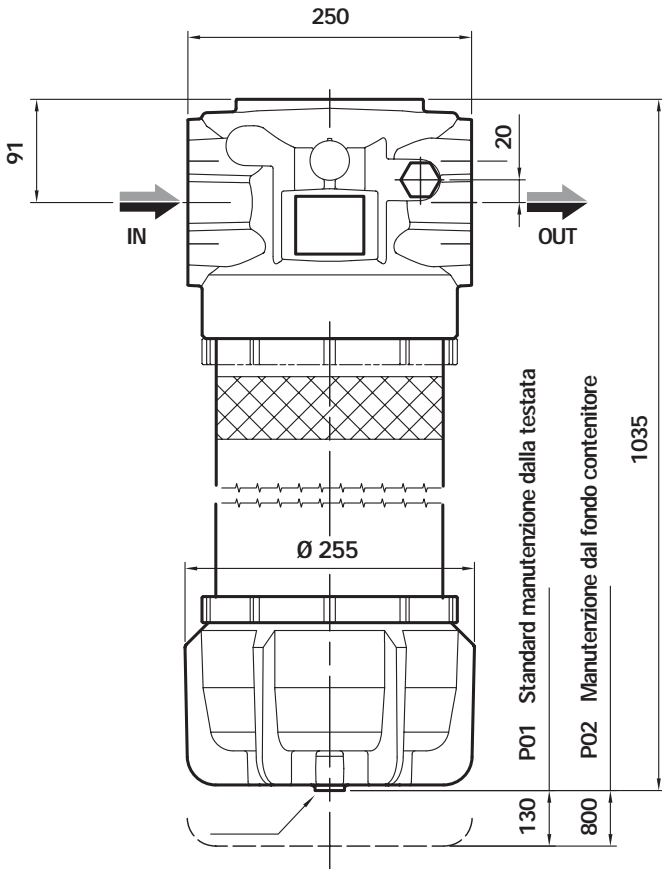
B Indicator connection - Plug T2 - Ch. 30

C Bypass valve - Ch. 17

D Oil drain plug - G 1/2" - Ch. 10

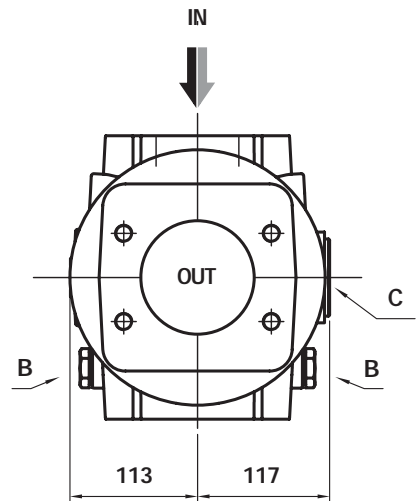
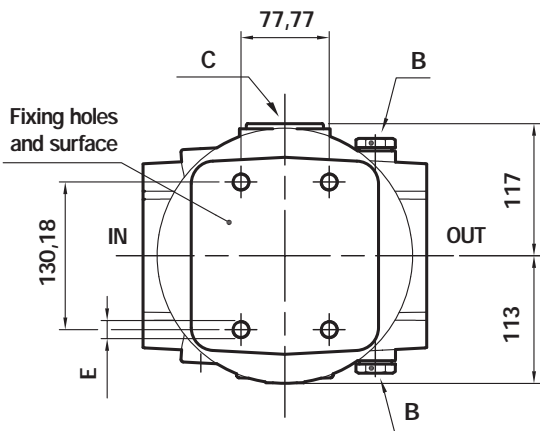
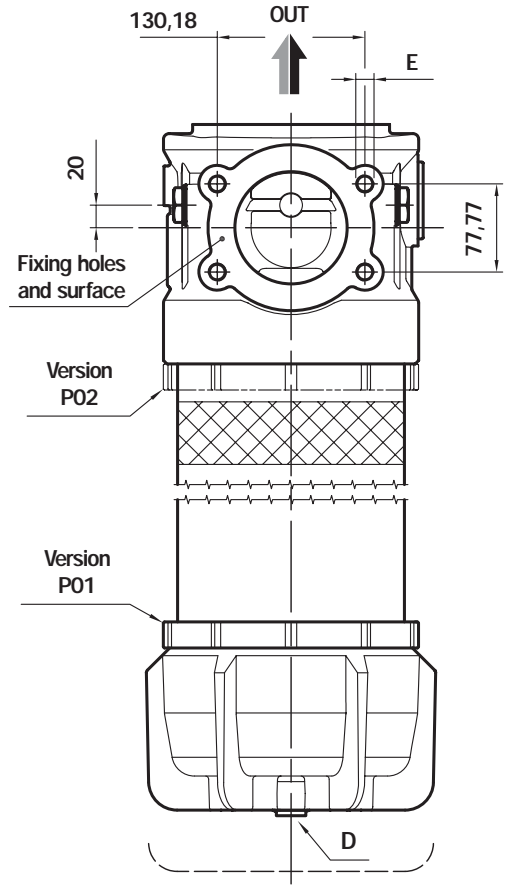
LMP 900

Length 2



LMP 901

Length 2



Flanged IN/OUT connections

E
Depth 25 mm

3" SAE
3000 psi/M

M16

4" SAE
3000 psi/M

M16

3" SAE
3000 psi/UNC

5/8" UNC

4" SAE
3000 psi/UNC

5/8" UNC

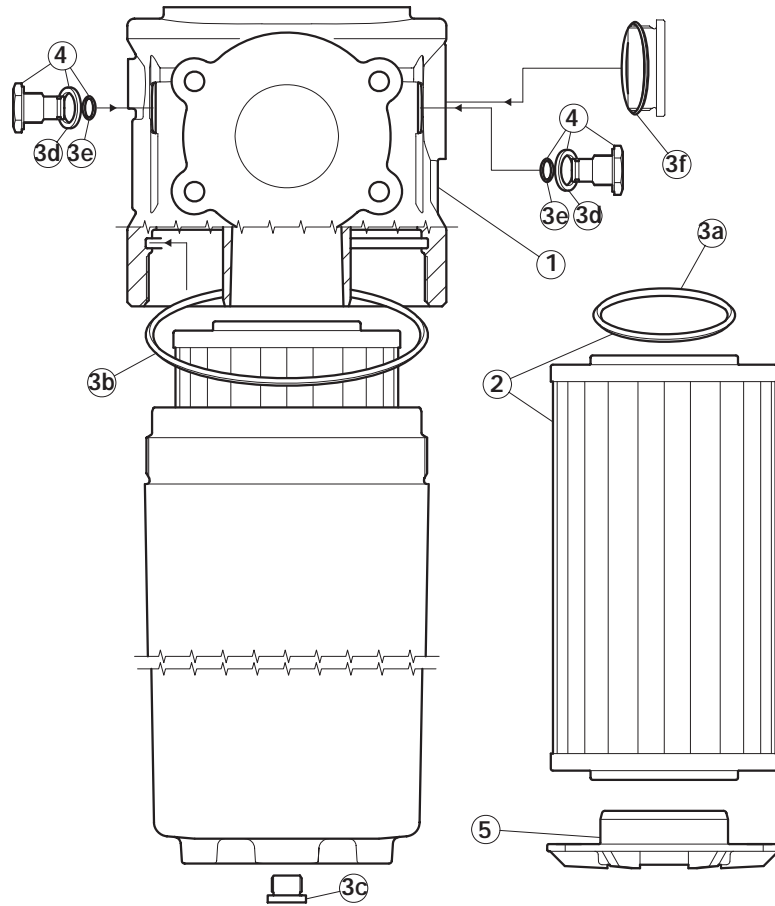
B Indicator connection - Plug T2 - Ch. 30

C Bypass valve - Ch. 17

D Oil drain plug - G 1/2" - Ch. 10

LMP900/901 spare parts

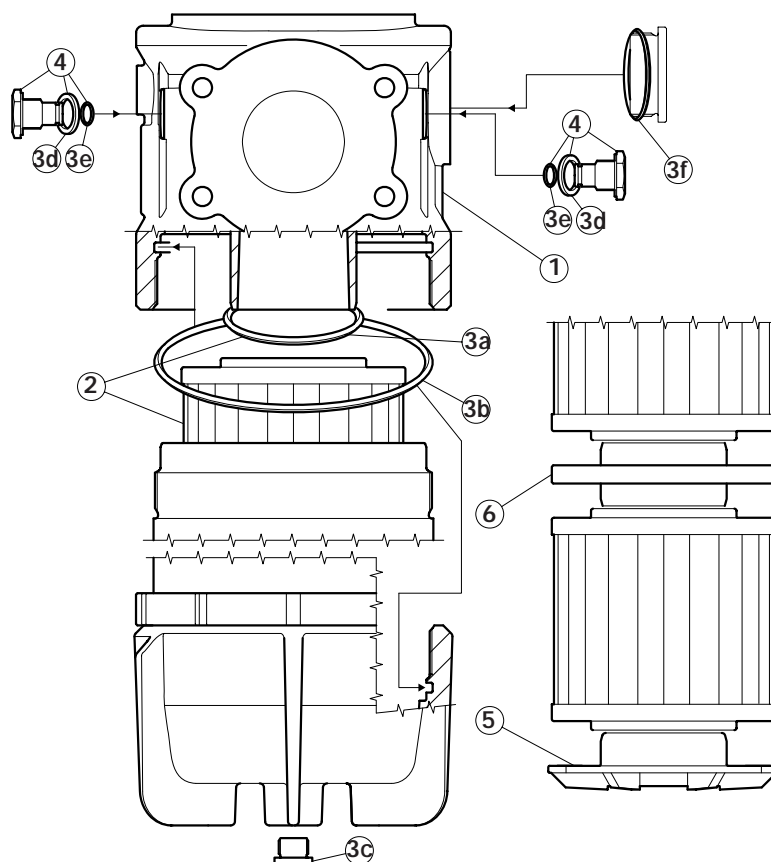
Length 1



| Pos. | Description | Qty | FILTER Series LMP 900/901 - 1 | |
|------|---------------------------|-----|----------------------------------|-----------------|
| 1 | Filter assembly | 1 | See order table | |
| 2 | Filter Element | 1 | See order table | |
| 3 | Seals kit | 1 | NBR 02050363 | FPM 02050364 |
| 3a | Filter element O-Ring | 2 | OR Ø 90 x 6 (NBR-50Sh) | |
| 3b | O-Ring for housing | 1 | OR 6745 Ø 189,86 x 5,33 | |
| 3c | Oil drain plug | 1 | G 1/2" with seal | |
| 3d | Bonded seal | 2 | 01030058 | 01030046 |
| 3e | O-Ring | 2 | OR 2050 Ø 12,42 x 1,78 | |
| 3f | By-pass plug O-Ring | 1 | OR 3243 Ø 61,6 x 2,62 | |
| 4 | Indicator connection plug | 2 | T2H | T2V |
| 5 | Housing spigot | 1 | 01044104 | |
| - | Indicator | 1 | See order table | |

LMP 900/901 spare parts

Length 2



| Pos. | Description | Qty | FILTER Series LMP 900/901 - 2 | |
|------|---------------------------|-----|-----------------------------------|-----------------|
| 1 | Filter assembly | 1 | See order tablee | |
| 2 | Filter Element | 2 | See order table | |
| 3 | Seals kit | 1 | NBR 02050365 | FPM 02050366 |
| 3a | Filter element O-Ring | 4 | O-R Ø 90 x 6 (NBR-50 Sh) | |
| 3b | O-Ring for housing | 2 | O-R 6745 Ø 189,86 x 5,33 | |
| 3c | Oil drain plug | 1 | G 1/2" - with seal | |
| 3d | Bonded seal | 2 | 01030058 | 01030046 |
| 3e | O-Ring | 2 | O-R 2050 Ø 12,42 x 1,78 | |
| 3f | By-pass plug O-Ring | 1 | O-R 3243 Ø 61,6 x 2,62 - VITON | |
| 4 | Indicator connection plug | 2 | T2H | T2V |
| 5 | Housing spigot | 1 | 01044104 | |
| 6 | Coupling spigot | 1 | 01044099 | |
| - | Indicator | 1 | See order table | |

LMP 900/901 ordering information

Filter assembly LMP

Example: LMP

| | | | | | | | |
|--------------------------|--------------------------|--------------------------|--------------------------|--------------------------|--------------------------|--------------------------|--------------------------|
| 1 | 2 | 3 | 4 | 5 | 6 | 7 | 8a |
| <input type="checkbox"/> | <input type="checkbox"/> | <input type="checkbox"/> | <input type="checkbox"/> | <input type="checkbox"/> | <input type="checkbox"/> | <input type="checkbox"/> | <input type="checkbox"/> |
| 900 | 2 | B | A | F1 | A10 | N | P01 |

Filter Element CU 900

Example: CU900

| | | | |
|--------------------------|--------------------------|--------------------------|-----------------------------|
| 6 | 4 | 7 | 8b |
| <input type="checkbox"/> | <input type="checkbox"/> | <input type="checkbox"/> | <input type="checkbox"/> |
| A10 | A | N | P01 (2 cartridges required) |

1 - Filter sizes

| | |
|-----|-------------------------|
| 900 | LMP900 (in-line IN-OUT) |
| 901 | LMP900 (90° IN-OUT) |

2 - Filter length

| | |
|---|-------------------------|
| 1 | With 1 CU900 cartridge |
| 2 | With 2 CU900 cartridges |

3 - Valves

| | |
|---|-----------------|
| S | Without by-pass |
| B | With by-pass |

4 - Seals

| | |
|---|-----|
| A | NBR |
| V | FPM |

5 - Connections

Type

| | |
|----|---------------------|
| F1 | 3" SAE 3000 PSI/M |
| F2 | 3" SAE 3000 PSI/UNC |
| F3 | 4" SAE 3000 PSI/M |
| F4 | 4" SAE 3000 PSI/UNC |

6 - Filter element

| | | | | |
|-----|-------|-----|-------|---|
| A03 | 3 µm | A16 | 16 µm | Absolute filtration Inorganic microfibre βx (c) ≥ 1000 see page 9 |
| A06 | 6 µm | A25 | 25 µm | |
| A10 | 10 µm | | | |
| M25 | 25 µm | M90 | 90 µm | Nominal Filtration Metal mesh see page 9 |
| M60 | 60 µm | | | |

7 - Filter elements series

| | |
|---|--|
| N | Δp 20 bar |
| W | Δp 20 bar (aqueous emulsions - water and glycol) |

8 - Options

a - Filters

| | |
|-----|--|
| P01 | MP Standard filters |
| P02 | Maintenance from base of housing (length 2 only) |
| Pxx | Customer reques |

b - Filter elements

| | |
|-----|---------------------|
| P01 | MP Standard filters |
| Pxx | Customer reques |

DIFFERENTIAL INDICATORS (see page 12)

MP Filtri - The filter functions as described in this bulletin are valid exclusively for original MP Filtri filter elements and replacement parts. All rights reserved

The data in this publication are purely guideline. MP Filtri reserves the right to make changes to the models described herein at any time it deems fit in relation to technical or commercial requirements. The colours of the products shown on the cover are purely guideline. Copyright. All rights reserved.