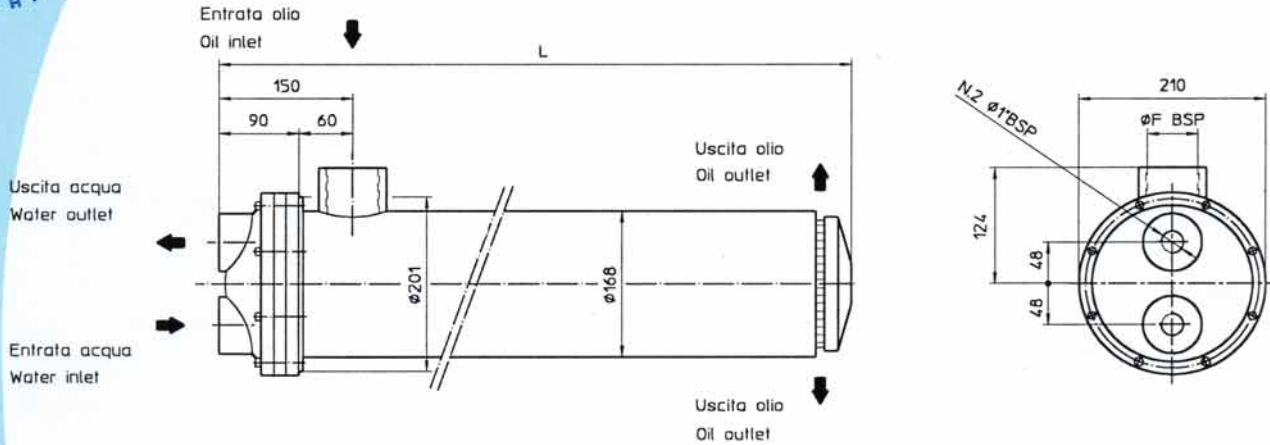


Scambiatori acqua-olio serie MGW 170 Water-oil heat exchangers series MGW 170

Con circuito olio ispezionabile .Controllable oil circuit



Le dimensioni e le caratteristiche non sono impegnative. Over-all dimension and technical characteristics are not binding.

TIPO TYPE	TUBI TUBES	PIASTRA TUBIERA TUBES SHEET	DEFLETTORI BAFFLES	FONDI COVERS	MANTELLO SHELL	GUARNIZIONI SEALS
STANDARD	CuDHP	Fe37	CuZn37	CuZn40	Fe510.2	Rubber-cork

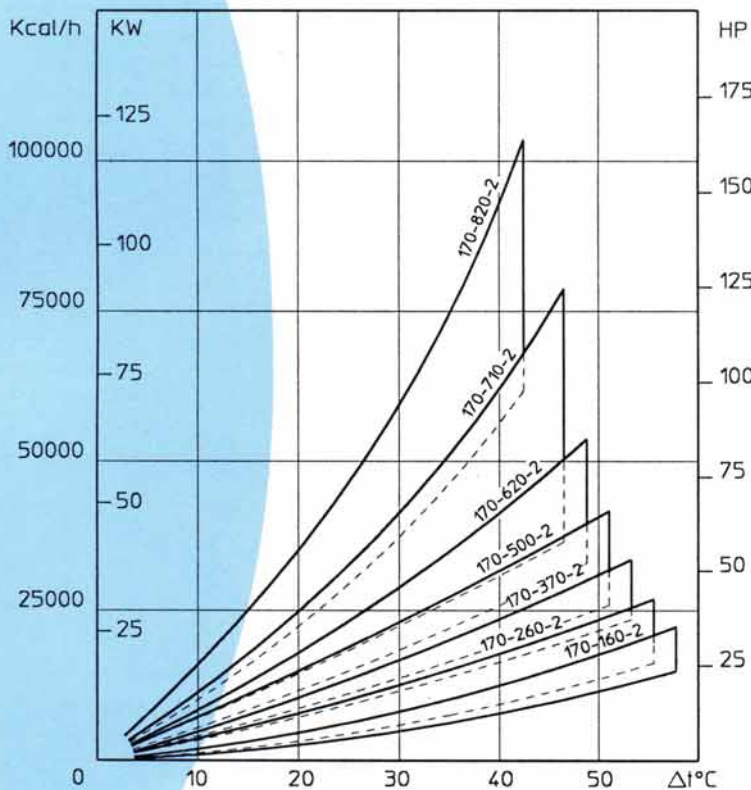
TIPO TYPE	PORTATA OLIO OIL FLOW (l/min)	HP DISPERSI CON OLIO HP DISSIPATED WITH OIL -55°C H2O-20°C	CAPACITA' CONTENTS (l)	Kg	Dimensioni - Over all dimension	
					2 Pass	
					ϕF	L
MGW 170-160-2	90-180	10-12	4.3	18	2"	371
MGW 170-260-2	100-180	12-18	5.8	23	2"	471
MGW 170-370-2	200-350	22-26	7.6	28	2"	581
MGW 170-500-2	210-380	26-33	9.7	36	2"	711
MGW 170-620-2	230-400	35-44	11.5	39	2"	831
MGW 170-710-2	260-450	42-100	12.9	43	2"	921
MGW 170-820-2	320-550	100-150	14.6	47	2"	1031

DIAGRAMMA RENDIMENTO

Alla portata massima e minima indicata in tabella

PERFORMANCE DIAGRAM

At the maximum and minimum flow stated in schedule



FATTORE DI CORREZIONE (F)-PERDITE DI CARICO CORRECTION FACTOR (F)-PRESSURE DROP

CST	10	15	20	30	40	50	60	80	100	200	300
F	0.5	0.65	0.77	1	1.2	1.4	1.6	1.9	2.1	3.3	4.3

PERDITE DI CARICO (32 cst) PRESSURE DROP (32 cst)

