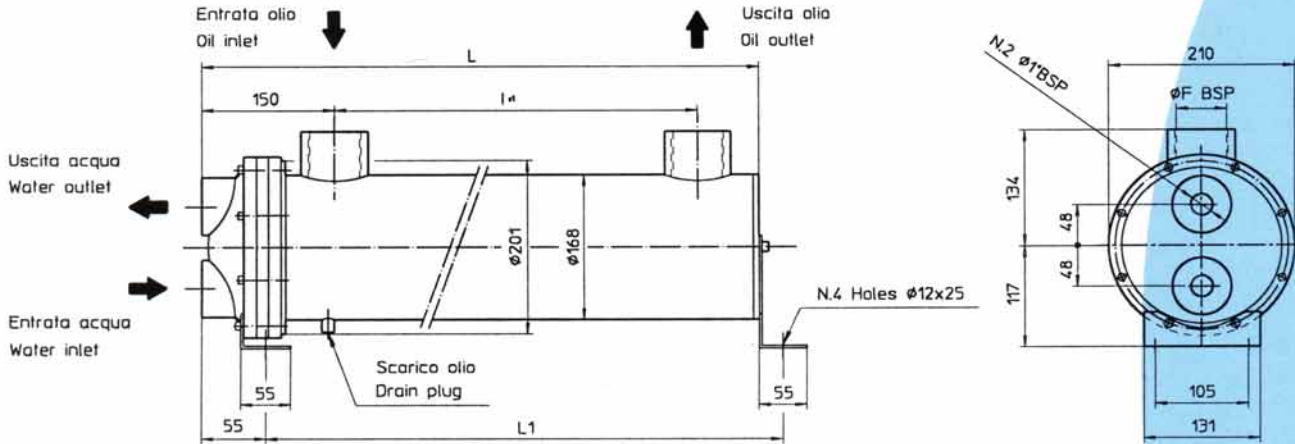


# Scambiatori acqua-olio serie MGW 168

## Water-oil heat exchangers series MGW 168



Con circuito olio ispezionabile .Controllable oil circuit



Le dimensioni e le caratteristiche non sono impegnative. Over-all dimension and technical characteristics are not binding.

TIPO TYPE	TUBI TUBES	PIASTRA TUBIERA TUBES SHEET	DEFLETTORI BAFFLES	FONDI COVERS	MANTELLO SHELL	GUARNIZIONI SEALS
STANDARD	CuDHP	Fe37	CuZn37	CuZn40	Fe510.2	Rubber-cork

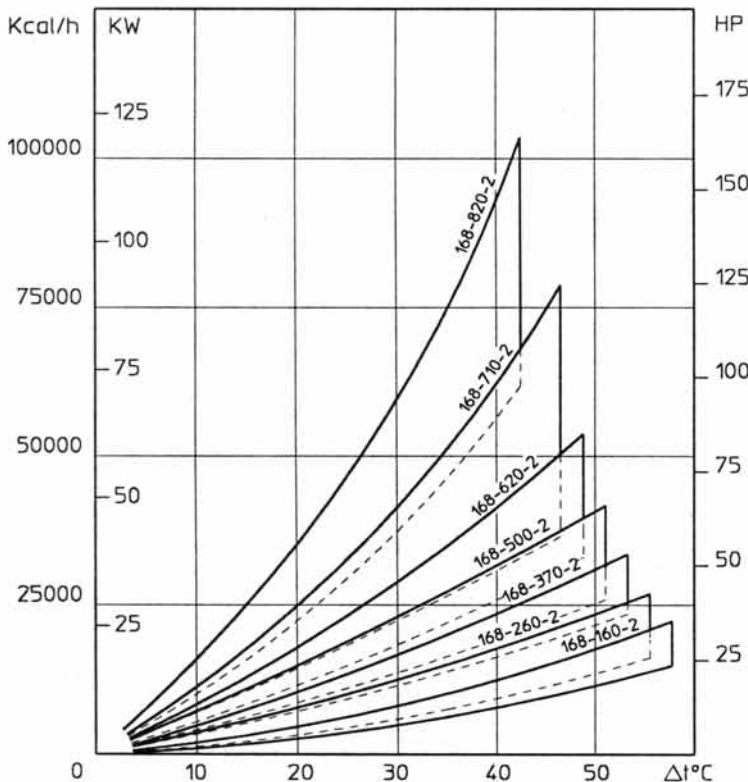
TIPO TYPE	PORTATA OLIO OIL FLOW (l/min)	HP DISPERSI CON OLIO HP DISSIPATED WITH OIL -55°C H2O-20°C	CAPACITA' CONTENTS (l)	Kg	Dimensioni - Over all dimension			
					2 Pass			
					$\phi F$	l	L	L1
MGW 168-160-2	90-180	10-16	4.3	18	2"	160	395	355
MGW 168-260-2	100-180	12-24	5.8	23	2"	260	495	455
MGW 168-370-2	200-350	22-32	7.6	28	2"	370	605	565
MGW 168-500-2	210-380	26-43	9.7	36	2"	500	735	695
MGW 168-620-2	230-400	35-55	11.5	39	2"	620	855	815
MGW 168-710-2	260-450	42-81	12.9	43	2"	710	945	905
MGW 168-820-2	320-550	73-120	14.6	47	2"	820	1055	1015

### DIAGRAMMA RENDIMENTO

Alla portata massima e minima indicata in tabella

### PERFORMANCE DIAGRAM

At the maximum and minimum flow stated in schedule



### FATTORE DI CORREZIONE (F)-PERDITE DI CARICO

### CORRECTION FACTOR (F)-PRESSURE DROP

CST	10	15	20	30	40	50	60	80	100	200	300
F	0.5	0.65	0.77	1	1.2	1.4	1.6	1.9	2.1	3.3	4.3

### PERDITE DI CARICO (32 cst) PRESSURE DROP (32 cst)

