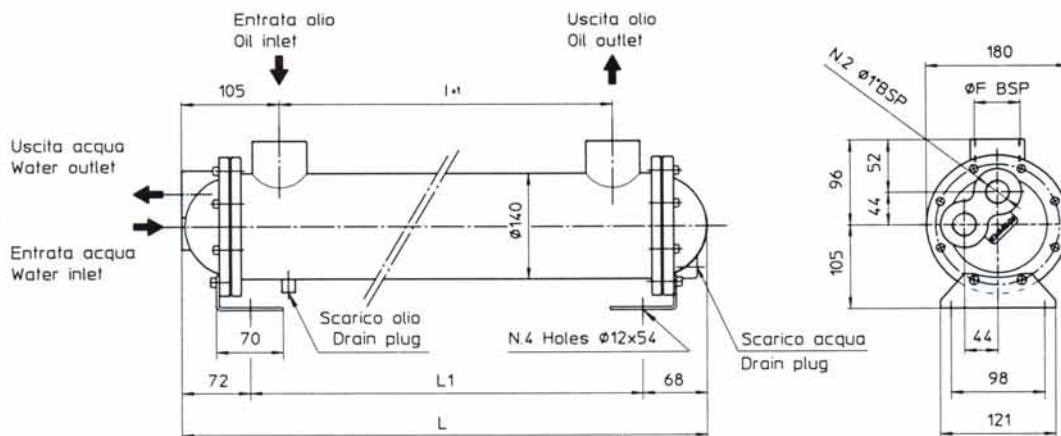


Scambiatori acqua-olio serie MGB 140 Water-oil heat exchangers series MGB 140



Con circuito acqua ispezionabile a quattro passaggi. Four ways controllible water circuit



Le dimensioni e le caratteristiche non sono impegnative. Over-all dimension and technical characteristics are not binding

| TIPO TYPE | TUBI TUBES | PIASTRA TUBIERA TUBES SHEET | DEFLETTORI BAFFLES | FONDI COVERS | MANTELLLO SHELL | GUARNIZIONI SEALS |
|--------------|---------------|--------------------------------|-----------------------|-----------------|--------------------|----------------------|
| STANDARD | CuDHP | C40 | CuZn37 | G25 | Fe510.2 | Rubber-cork |
| AiSi | AiSi 304 | AiSi 304 | AiSi 304 | G25 | AiSi 304 | Graphite-kevlar |

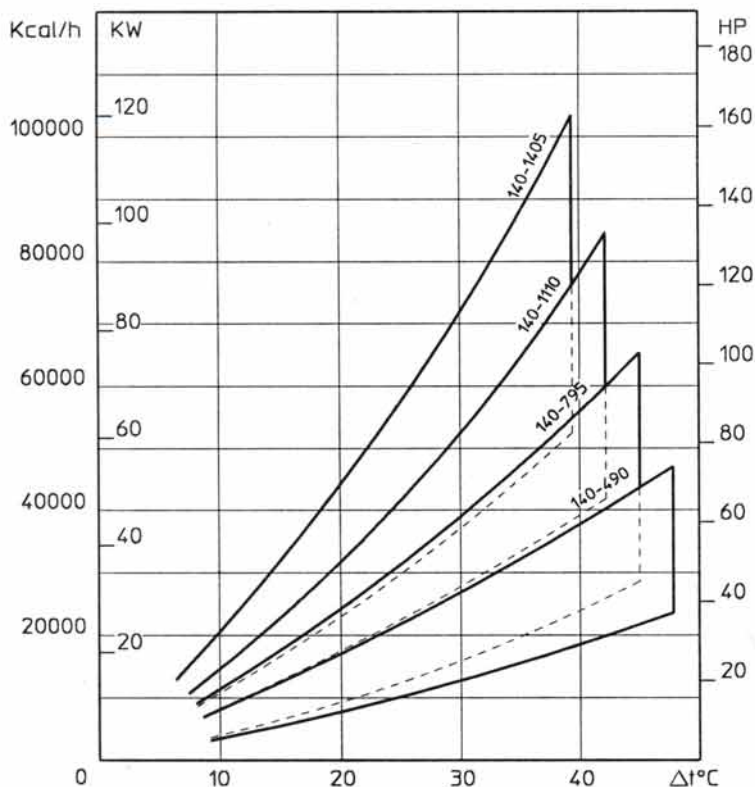
| TIPO TYPE | PORTATA OLIO OIL FLOW (l/min) | HP DISPERSI CON OLIO HP DISSIPATED WITH OIL $\Delta T = 55^\circ\text{C H}_2\text{O} = 20^\circ\text{C}$ | CAPACITA' CONTENTS (l) | Kg | Dimensioni - Over all dimension | | | |
|----------------|-------------------------------------|--|------------------------------|----|---------------------------------|------|------|------|
| | | | | | 4 Pass | | | |
| | | | | | ϕF | I | L | L1 |
| MGB 140-490-4 | 50-220 | 25-50 | 6.4 | 26 | 1 1/2" | 490 | 733 | 591 |
| MGB 140-795-4 | 60-250 | 35-75 | 9.5 | 32 | 1 1/2" | 795 | 1038 | 896 |
| MGB 140-1110-4 | 60-250 | 52-105 | 12.5 | 38 | 1 1/2" | 1110 | 1353 | 1211 |
| MGB 140-1405-4 | 80-280 | 68-138 | 15.5 | 44 | 1 1/2" | 1405 | 1648 | 1506 |

DIAGRAMMA RENDIMENTO

Alla portata massima e minima indicata in tabella

PERFORMANCE DIAGRAM

At the maximum and minimum flow stated in schedule



FATTORE DI CORREZIONE (F)-PERDITE DI CARICO

CORRECTION FACTOR (F)-PRESSURE DROP

| CST | 10 | 15 | 20 | 30 | 40 | 50 | 60 | 80 | 100 | 200 | 300 |
|-----|-----|------|------|----|-----|-----|-----|-----|-----|-----|-----|
| F | 0.5 | 0.65 | 0.77 | 1 | 1.2 | 1.4 | 1.6 | 1.9 | 2.1 | 3.3 | 4.3 |

PERDITE DI CARICO (32 cst)

PRESSURE DROP (32 cst)

