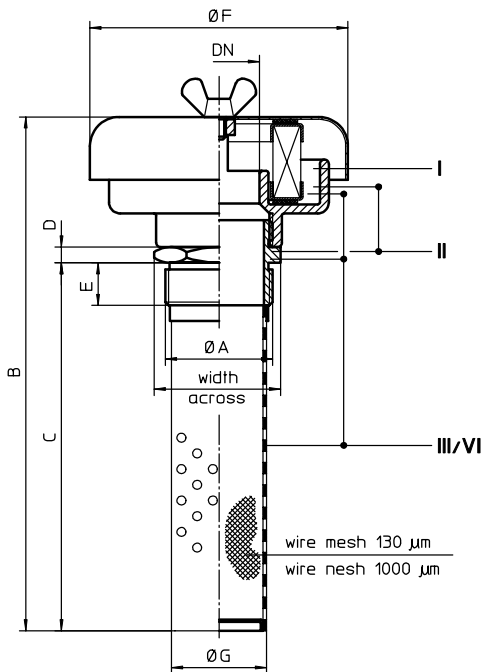


BREATHER FILTER

Series NBF, BF - WP

Sheet No.
6000 P



1. Type index:

1.1. Complete filter: (ordering example)

NBF. 25. 3VL. P. G. 5. III. -

1	2	3	4	5	6	7	8
---	---	---	---	---	---	---	---

1 series:

NBF = breather filter

2 nominal size: 25, 40, 55, 85

3 filter-material and filter-fineness:

10 P = 10 µm paper

3 VL = filtration efficiency D 100 = 3

4 sealing material:

P = Nitrile (NBR); V = Viton (FPM), only for 3VL

5 connection:

G = thread connection

6 connection size:

5 = G1; 7 = G 1 ½; 8 = G2; A = G3

7 execution:

I = only breather cap

II = breather cap and thread double nipple

III = complete as shown with filler filter 130 µm

VI = complete as shown with filler filter 1000 µm

8 tank weld coupling:

- = without

1.2. Filter element: (ordering example)

01NBF. 25-40. 3VL. P **01NBF. 55-85. 3VL. P**

1	2	3	4	1	2	3	4
---	---	---	---	---	---	---	---

filter element for NBF 25-40

filter element for NBF 55-85

2. Dimensions:

type	DN	width across	A	B	C	D	E	F	G	Q in l/min	weight kg
NBF 25	25	41	G 1	186	120	6	18	115	28	450	0,8
NBF 40	40	55	G 1 ½	232	165	7	19	115	42	1150	1,2
NBF 55	50	70	G 2	332	230	7	24	190	54	1800	2,5
NBF 85	80	100	G 3	369	265	9	29	190	82	3500	2,5

Q = flow rate of air l/min, Δp approx. 10 mbar

1. Type index:

1.1. Complete filter: (ordering example)

BF-WP. 90. 10P. P. G. 7. III. -

1	2	3	4	5	6	7	8
---	---	---	---	---	---	---	---

1 series:

BF-WP = spin on - vent filter

2 nominal size: 45, 90

3 filter-material and filter-fineness:

10 P = 10 µm paper

4 sealing material:

P = Nitrile (NBR)

5 connection:

G = thread connection

6 connection size:

5 = G1; 7 = G 1 ½

7 execution:

I = only breather cap

II = breather cap and thread double nipple

III = complete as shown with a filler filter 130 µm

VI = complete as shown with a filler filter 1000 µm

8 tank weld coupling:

- = without

1.2. Filter element: (ordering example)

WP. 90. 10P. P **series:**

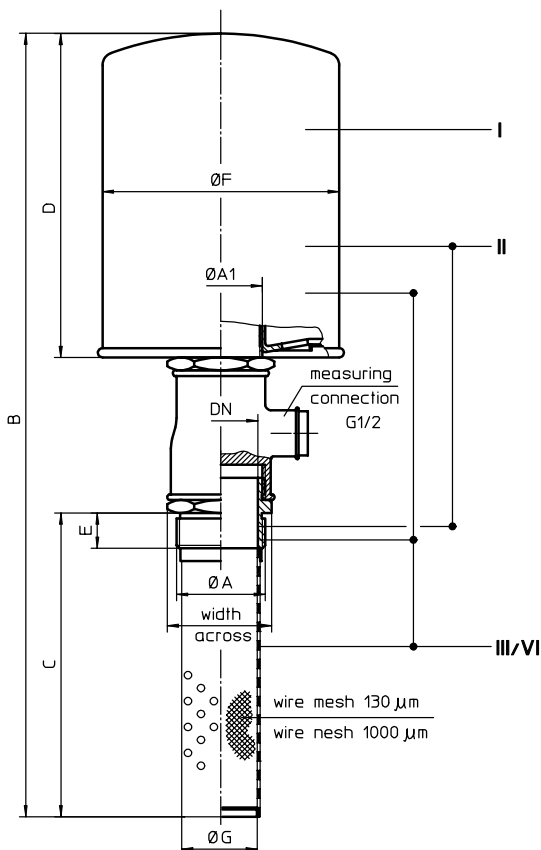
1	WP = spin-on cartridge
2	- 4 see type index-complete filter

2. Dimensions:

type	DN	width across	A	A1	B	C	D	E	F	G	Q in l/min	weight kg
BF-WP 45	25	41	G 1	G ¾	335	120	145	18	92	28	400	0,8
BF-WP 90	40	55	G 1 ½	G 1 ¼	410	165	175	20	128	42	750	1,0

Q = flow rate of air l/min, Δp approx. 10 mbar

Changes of measures and design are subject to alteration!



EDV 02/05