

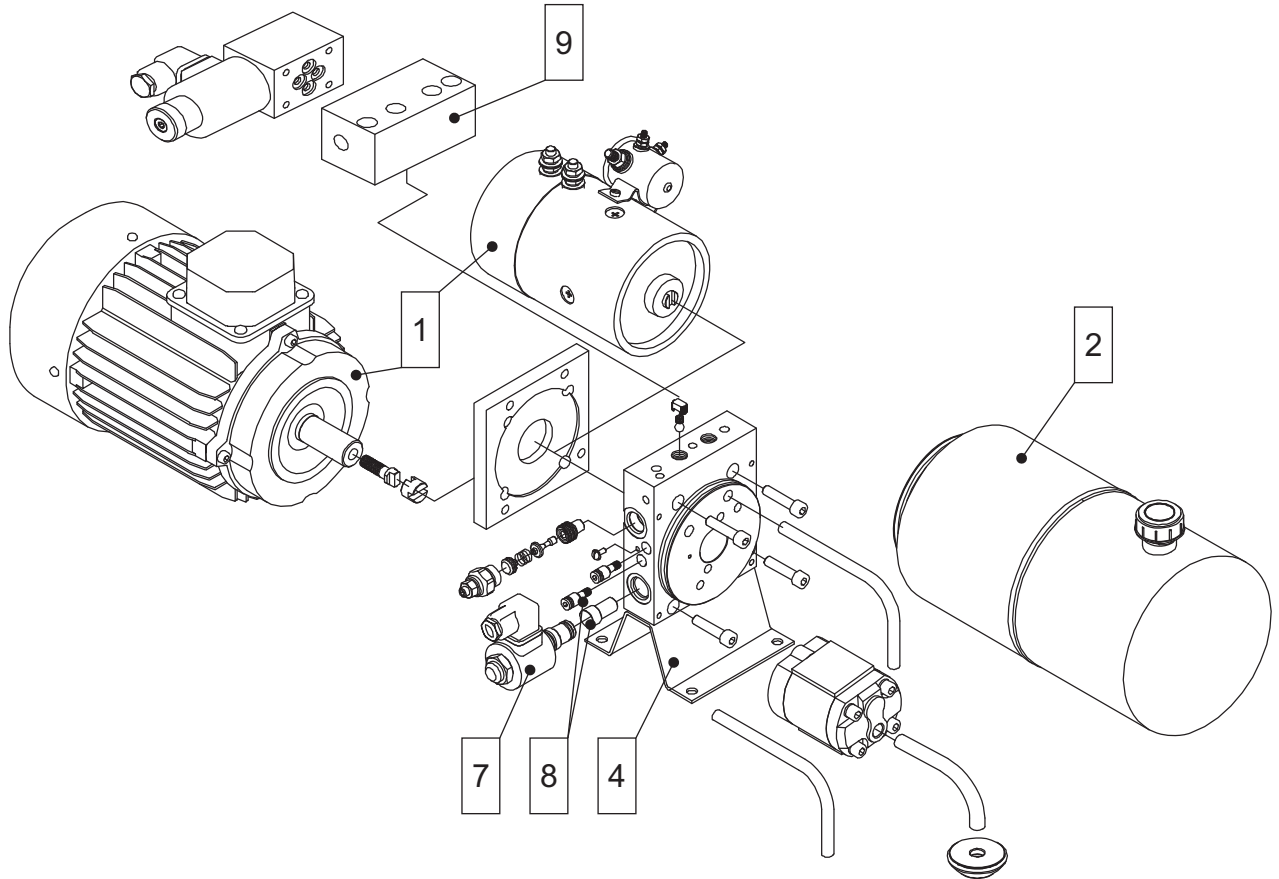


**Hidro
Pnevmo
Tehnika**

3, Vojeli St., Kazanlak, Bulgaria
Tel.: +359 431/ 62 228
Fax : +359/ 62 019
e-mail : info@hpt-bg.com

MINI HYDRAULIC POWER PACKS

MPP ...



| TECHNICAL DATA | | |
|----------------------|-------|--------|
| Maximal pressure | bar | 250 |
| Maximal flow | L/min | 12 |
| Tank volume | l | 1..12 |
| Power electric motor | kW | 0.5..3 |
| Port threads P and T | | G1/4" |

ORDERING CODE

| | | | | | | | | | | | | | | | | | | | |
|------|---------|---|---|---|---|---|---|---|---|---|------|---|----------|---|-----|---|-----|-----|-----|
| MPP | DC2/12R | - | 8 | - | 1 | - | Y | - | 5 | - | P200 | - | SVB12VDC | - | FR5 | - | U.. | ... | U.. |
| Type | 1 | 2 | 3 | 4 | 5 | 6 | 7 | 8 | 9 | | | | | | | | | | |

ELECTRIC MOTOR

1

$P = (p \times Q) / 510$ [kW]
P - power electric motor
p - max. Pressure [bar]
Q - Flow [l/min]

DC motor

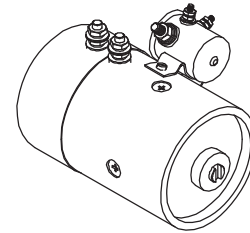
DC 2 / 12 R

Type

| POWER CODE | |
|------------|----------|
| code | Power kW |
| 0,8 | 0,8 |
| 1,5 | 1,5 |
| 2 | 2 |
| 3 | 3 |

| OPERATING VOLTAGE [V] |
|-----------------------|
| 12 |
| 24 |

| RELAY CODE | |
|------------|---------------|
| code | |
| R | With relay |
| Omit | Without relay |

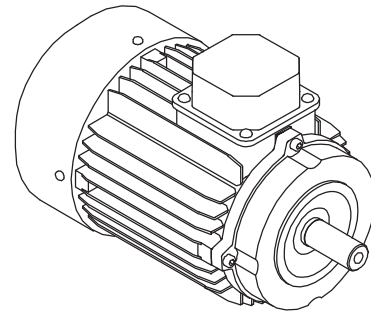


AC motor

AT 3

| TYPE | |
|------|-----------------------------|
| code | |
| AT | Three-phase 220/ 380V ,50Hz |
| AT4 | Three-phase 400,50Hz |
| ASR | Single-phase 220V ,50Hz |

| POWER CODE | |
|------------|----------|
| code | Power kW |
| 0,55 | 0,55 |
| 0,75 | 0,75 |
| 1,1 | 1,1 |
| 1,5 | 1,5 |
| 2,2 | 2,2 |
| 3 | 3 |

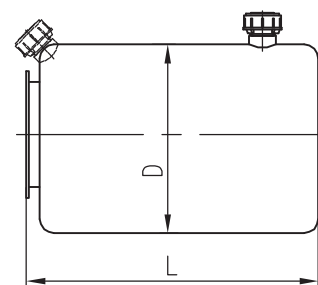


TANK

2

8

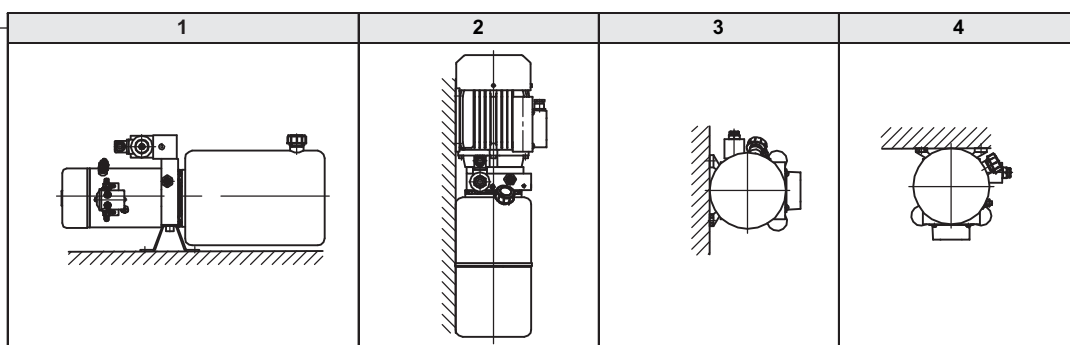
| | VOLUME | L | D |
|------|--------|-----|-----|
| code | l | mm | mm |
| 1 | 1 | 150 | 114 |
| 3 | 3 | 210 | 160 |
| 5 | 5 | 310 | 160 |
| 8 | 8 | 310 | 200 |
| 10 | 10 | 360 | 200 |
| 12 | 12 | 420 | 200 |



MOUNTING POSITION

3

1





**Hidro
Pnevmo
Tehnika**

3, Vojeli St., Kazanlak, Bulgaria
Tel.: +359 431/ 62 228
Fax : +359/ 62 019
e-mail : info@hpt-bg.com

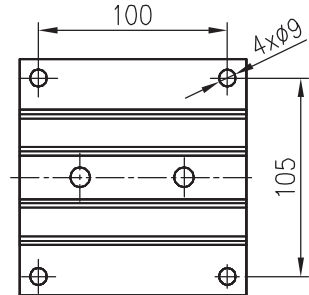
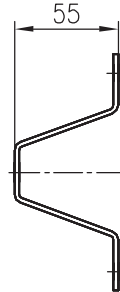
MINI HYDRAULIC POWER PACKS

MPP ...

SUPPORT

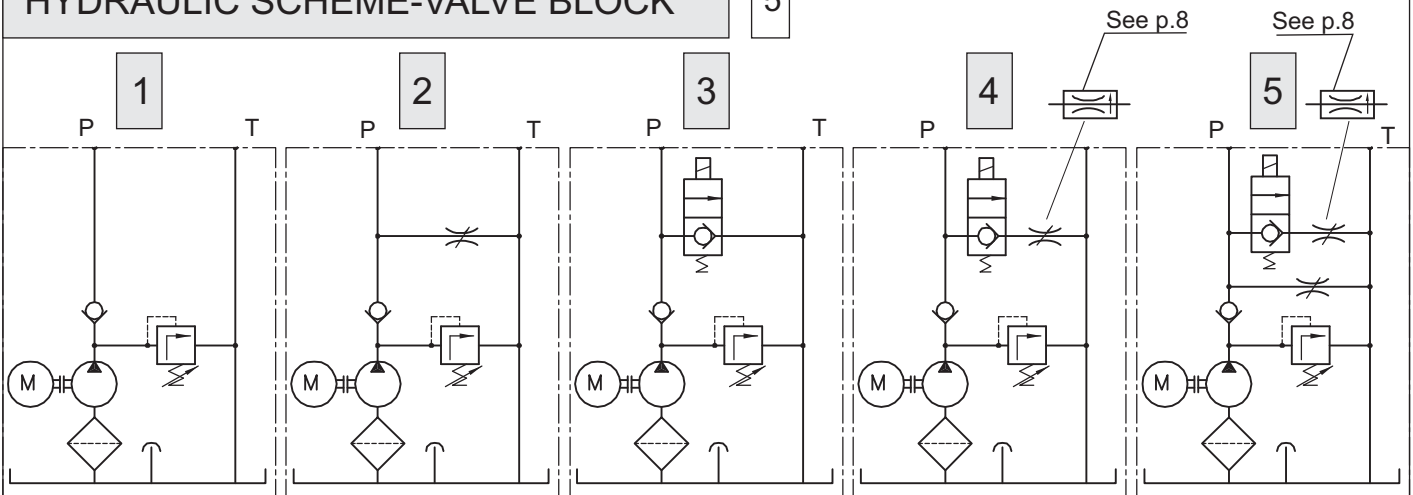
4

| | | |
|---|---|-----------------------|
| S | Y | Support as on drawing |
| | N | Without support |



HYDRAULIC SCHEME-VALVE BLOCK

5



PRESSURE

6

P 200

Describe the pressure of adjustment in bar .Pressure range 20...250 bar

SOLENOID VALVE

7

| | | | |
|------------|---------------|------------------------|----------------|
| SVA 12V DC | | | |
| Type | SCHEME | ORATING VOLTAGE | CURRENT |
| | code | | code |
| | A | 12V | DC |
| | B | 24V | AC |
| | | 110V | |
| | | 220V | |

For scheme 3,4 and 5

NEEDLE VALVE or FLOW CONTROL VALVE

8

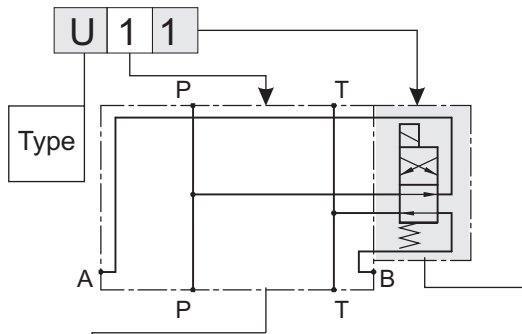
FR 5

| FLOW FOR FLOW CONTROL VALVE | | | | | | | | | | |
|-----------------------------|-------|---|---|---|---|---|---|---|---|---|
| code | 1 | 2 | 3 | 4 | 5 | 6 | 7 | 8 | 9 | |
| Flow | L/min | 1 | 2 | 3 | 4 | 5 | 6 | 7 | 8 | 9 |

| | |
|--------------------|----|
| Flow control valve | FR |
| Needle valve | NV |

EXTENDING VALVE BLOCK

9



| SCHEME | |
|--------|--|
| code | |
| 1 | |
| 2 | |
| 3 | |
| 4 | |

To extend the hydraulic scheme is used an extending valve block. A few block be used for mouting on the main block ,by two M8 screw.

| | Port threds A and B G1/4" | 1 | 1A | 1B |
|--------|---------------------------|----|-----|-----|
| | Port threds A and B G3/8" | 1G | 1AG | 1BG |
| Scheme | | | | |
| | Port threds G1/4" | 4 | 5 | 6 |
| | Port threds G3/8" | | 5G | 6G |
| Scheme | | | | |