

sealing material: viton (FPM)

Mini-measuring connection

1. Type index: (ordering example)

MA. 1. ST

1	2	3
---	---	---

1 series:

MA = mini-measuring connection

2 screwed plug:

1 = G ¼ DIN 3852 T2, design B

3 = G ½ DIN 3852 T2, design B

4 = G ¾ DIN 3852 T2, design B

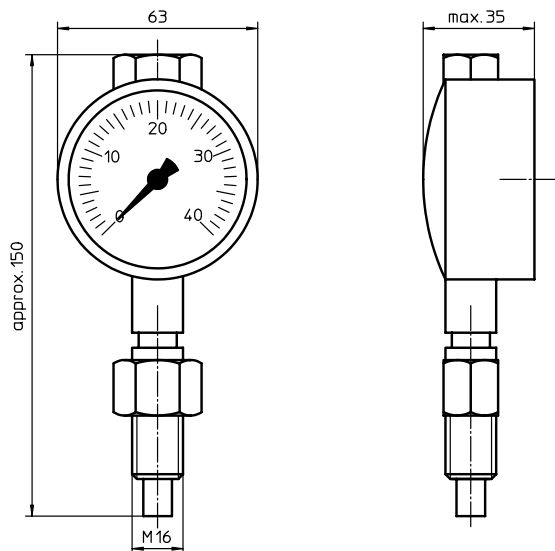
3 material:

ST = steel

VA = stainless steel

2. Dimensions:

type	A	B	C	S ₁	S ₂
MA.1	G ¼ A	36	10	19	-
MA.3	G ½ A	46	14	19	27
MA.4	G ¾ A	46	16	19	32



Pressure gauge

1. Type index: (ordering example)

Pressure gauge. 16

1	2
---	---

1 series:

pressure gauge

2 pressure range:

16 = 0 - 16 bar

40 = 0 - 40 bar

100 = 0 - 100 bar

250 = 0 - 250 bar

600 = 0 - 600 bar

High pressure hose

1. Type index: (ordering example)

High pressure hose. M 16. 630

1	2	3
---	---	---

1 series:

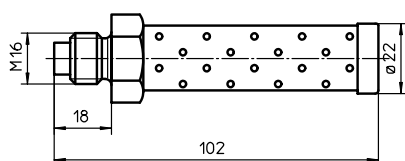
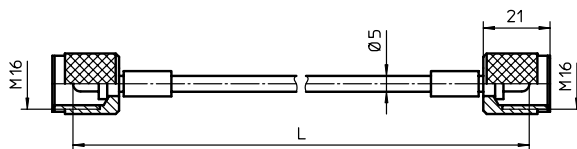
high pressure hose

2 threaded connection: M 16

3 length:

630 = 630 mm

2000 = 2000 mm



Spray protection M 16

(ordering example)

Changes of measures and design are subject to alteration!

EDV 09/99

Description:

The measuring-connection and spray protection are designed for filters up to PN 500 bar. The measuring-connection has to be mounted tightly to the foreseen measure connection- and spray protection spots.

It is possible to connect the pressure gauge by means of high-pressure hose with the screw coupling M16 without interrupting operation.

The high-pressure hose is to be deaerated before the first measuring.

A capillary effect prevents a drain off of the operating fluid.

The spray protection must be used in connection with the high-pressure hose and is designed for filters with a capacity of approx. 10 l.

Note!

The deaeration is only to be executed with operating pressure up to max. 32 bar. A flow of approx. 1,2 l/min of operating fluid is given at a pressure of 32 bar and a viscosity of 25 mm²/s. It is inadmissible to connect the high-pressure hose with the measuring-connection without spray protection respectively without connected pressure gauge. (risk of injury)