

# FIXING SYSTEMS FOR LMP 400-900 LMP 430-950 LMD 400-401

## Fixing brackets

### Materials

- Bracket: Welded steel - phosphated
- 4 M12 x 35 screws - Filter LMP 400 (fixing of bracket to filter head).
- 4 M16 x 35 screws - Filter LMP 900 (fixing of bracket to filter head).

## Ordering code

**Bracket Code**                      **Filter type**

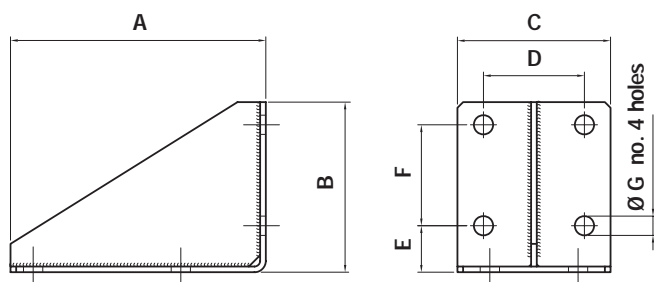
CFL 40 A P01                      LMP 400

CFL 90 A P01                      LMP 900

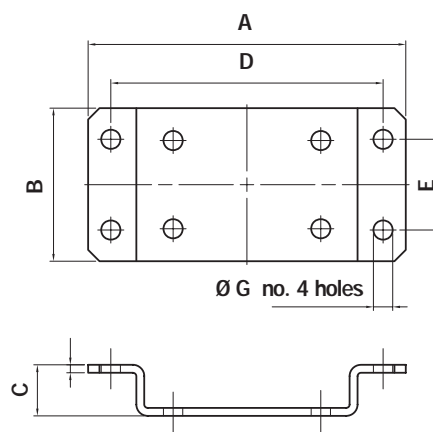
CFS 40 A P01                      LMP 430

CFS 90 A P01                      LMP 950

**CFL**



**CFS**



	A	B	C	D	E	F	G
<b>CFL 40</b>	165	120	115	70	35	70	13
<b>CFL 90</b>	225	150	135	89	41	89	17
<b>CFS 40</b>	260	115	45	220	60	-	13
<b>CFS 90</b>	280	135	45	240	80	-	17

**Fixing with CFS bracket**

LMP 400-900



**Fixing with CFL bracket**

LMP 430-950



**Fixing with CFL bracket**

LMP 400-900



**Fixing with CFS bracket**

LMP 430-950



Fixing with CFS  
bracket

LMD 400



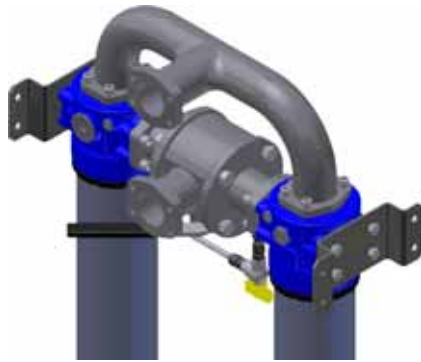
Fixing with CFL  
bracket

LMD 400



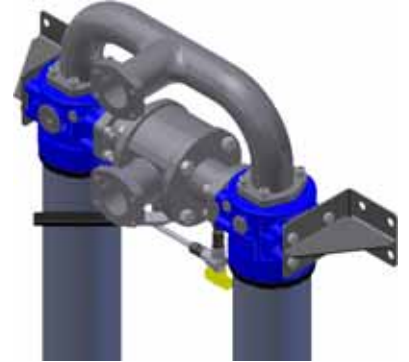
Fixing with CFS  
bracket

LMD 401



Fixing with CFL  
bracket

LMD 401



## FIXING SYSTEMS FOR LMP 950

### Fixing collar

#### Materials

- Collar: Galvanised steel
- Seal: NBR
- Hex screw DIN-EN 24017 M12x65
- Nuts UNI-EN 24032 M12

#### Ordering code

**CFA 20 M P01**

**CFA 20**

