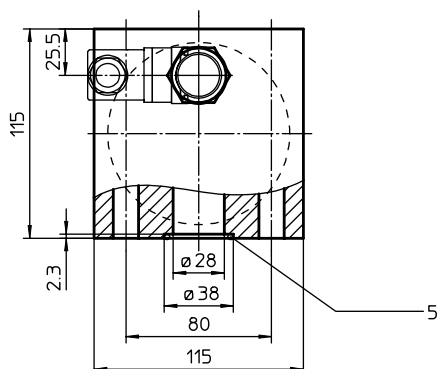
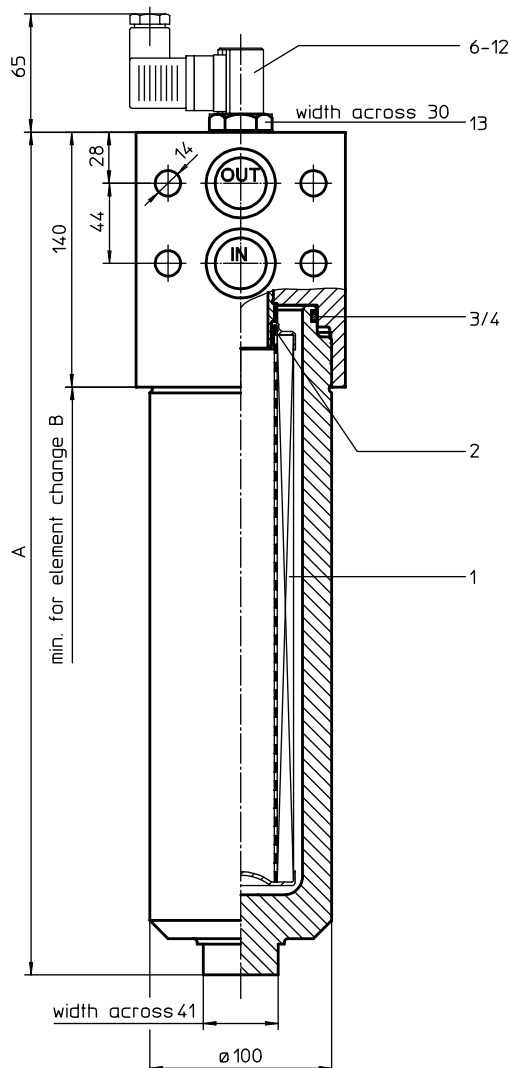


STAINLESS STEEL- PRESSURE FILTER

Series EHPF 170 - 450 DN 28 PN 315

Sheet No.
1441



1. Type index:

1.1. Complete filter: (ordering example)

EHPF. 360. 10VG. HR. E. P. VA. F. 5. VA. -. AE

1	2	3	4	5	6	7	8	9	10	11	12
---	---	---	---	---	---	---	---	---	----	----	----

- 1 **series:**
EHPF = stainless steel-pressure filter, manifold mounted
- 2 **nominal size:** 170, 240, 360, 450
- 3 **filter-material and filter-finness:**
80G = 80 μm , 40G = 40 μm ,
25G = 25 μm stainless steel wire mesh
25 VG = 20 $\mu\text{m}_{(c)}$, 16 VG = 15 $\mu\text{m}_{(c)}$, 10 VG = 10 $\mu\text{m}_{(c)}$,
6 VG = 7 $\mu\text{m}_{(c)}$, 3 VG = 5 $\mu\text{m}_{(c)}$ Interpor fleece (glass fibre)
- 4 **resistance of pressure difference for filter element:**
30 = Δp 30 bar
HR = Δp 160 bar (rupture strength Δp 250 bar)
- 5 **filter element design:**
E = single-end open
- 6 **sealing material:**
P = Nitrile (NBR)
V = Viton (FPM)
- 7 **filter element specification:** (see catalog)
- = standard
VA = stainless steel
IS06 see sheet-no. 31601
- 8 **connection:**
F = manifold mounted
- 9 **connection size:**
5 = DN 28
- 10 **filter housing specification:**
VA = stainless steel
- 11 **internal valve:**
- = without
S1 = with by-pass valve Δp 3,5 bar
S2 = with by-pass valve Δp 7,0 bar
R = reversing valve, $Q \leq 211,008$ l/min
- 12 **clogging indicator or clogging sensor :**
- = without
AOR = visual, see sheet-no. 1606
AOC = visual, see sheet-no. 1606
AE = visual-electrical, see sheet-no. 1615
VS1 = electrical, see sheet-no. 1617
VS2 = electrical, see sheet-no. 1618

1.2. Filter element: (ordering example)

01E. 360.10VG. HR. E. P. VA

1	2	3	4	5	6	7
---	---	---	---	---	---	---

- 1 **series:**
01E. = filter element according to INTERNORMEN factory specification
- 2 **nominal size:** 170, 240, 360, 450
- 3 - 7 | see type index-complete filter

2. Dimensions:

type	connection	A	B	weight kg	volume tank
EHPF 170	DN 28	333	330	22	0,7 l
EHPF 240		383	380	24	0,9 l
EHPF 360		463	460	26	1,2 l
EHPF 450		568	565	30	1,6 l

3. Spare parts:

item	qty.	designation	dimensions				article-no.	
			EHPF 170	EHPF 240	EHPF 360	EHPF 450		
1	1	filter element	01E.170	01E.240	01E.360	01E.450		
2	1	O-ring	34 x 3,5				304338 (NBR)	304730 (FPM)
3	1	O-ring	76 x 4				305599 (NBR)	310291 (FPM)
4	1	support ring	84 x 3,2 x 1,5				312307	
5	2	O-ring	32 x 3				304368 (NBR)	311020 (FPM)
6	1	clogging indicator, visual	AOR or AOC				see sheet-no. 1606	
7	1	clogging indicator, visual-electrical	AE				see sheet-no. 1615	
8	1	clogging sensor, electronic	VS1				see sheet-no. 1617	
9	1	clogging sensor, electronic	VS2				see sheet-no. 1618	
10	1	O-ring	15 x 1,5				315357 (NBR)	315427 (FPM)
11	1	O-ring	22 x 2				304708 (NBR)	304721 (FPM)
12	1	O-ring	14 x 2				304342 (NBR)	304722 (FPM)
13	1	screw plug	40171-4				314442	

item 13 execution only without clogging indicator or clogging sensor

4. Description:

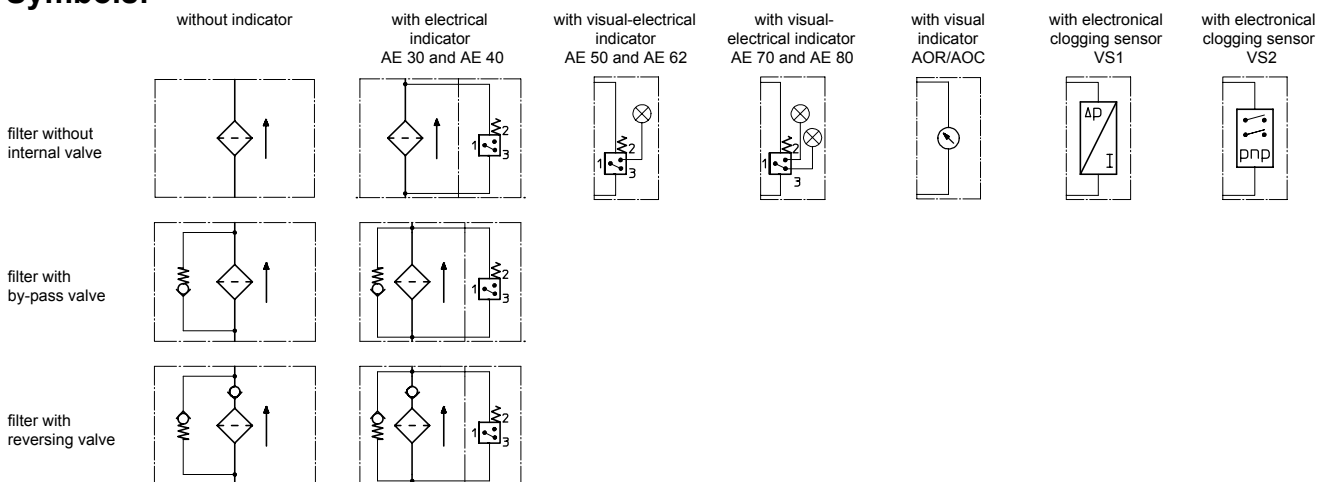
The stainless steel-pressure filters of the series EHPF are suitable for a working pressure up to 315 bar. The pressure peaks are absorbed by a sufficient margin of safety. The EHPF-filters are flanged to the mounting-surface. The filter element consists of star-shaped, pleated filter material which is supported on the inside by a perforated core tube and is bonded to the end caps with a high-quality adhesive. The flow direction is from outside to inside. Filter elements are available down to a filter fineness of $4\mu\text{m}_{(c)}$. INTERNORMEN-Filter elements are known as elements with a high intrinsic stability and an excellent filtration capability, a high dirt-retaining capacity and a long service life. INTERNORMEN-Filter are suitable for all petroleum based fluids, HW-emulsions, most synthetic hydraulic fluids and lubrication oils. INTERNORMEN-Filter elements are available up to a pressure difference resistance of Δp 160 bar and a rupture strength of Δp 250 bar. The internal valves are integrated into the centering pivot for the filter element. After reaching the opening pressure the by-pass valve causes that an unfiltered partial flow passes the filter. With the reverse valve a protection of the filter element is given when having a reverse flow inside the filter. The reverse flow will not be filtered.

5. Technical data:

temperature range:	-10°C to +80°C (for a short time +100°C)
operating medium:	mineral oil, other media on request
max. operating pressure:	315 bar
test pressure:	450 bar
connection system:	manifold mounted
housing material:	EN10088-1.4571 (320 S 18, 320 S 31 according to B.S.)
sealing material:	Nitrile (NBR) or Viton (FPM), other materials on request
installation position:	vertical

Classified under the Pressure Equipment Directive 97/23/EC for mineral oil (fluid group 2), Article 3, Para. 3.
Classified under ATEX Directive 94/9/EC according to specific application (see questionnaire sheet-no. 34279-4).

6. Symbols:



7. Pressure drop flow curves: Precise flow rates see 'INT-Expert-System Filter', respectively Δp -curves; depending on filter fineness and viscosity.

8. Test methods:

Filter elements are tested according to the following ISO standards:

ISO 2941	Verification of collapse/burst resistance
ISO 2942	Verification of fabrication integrity
ISO 2943	Verification of material compatibility with fluids
ISO 3723	Method for end load test
ISO 3724	Verification of flow fatigue characteristics
ISO 3968	Evaluation of pressure drop versus flow characteristics
ISO 16889	Multi-pass method for evaluating filtration performance