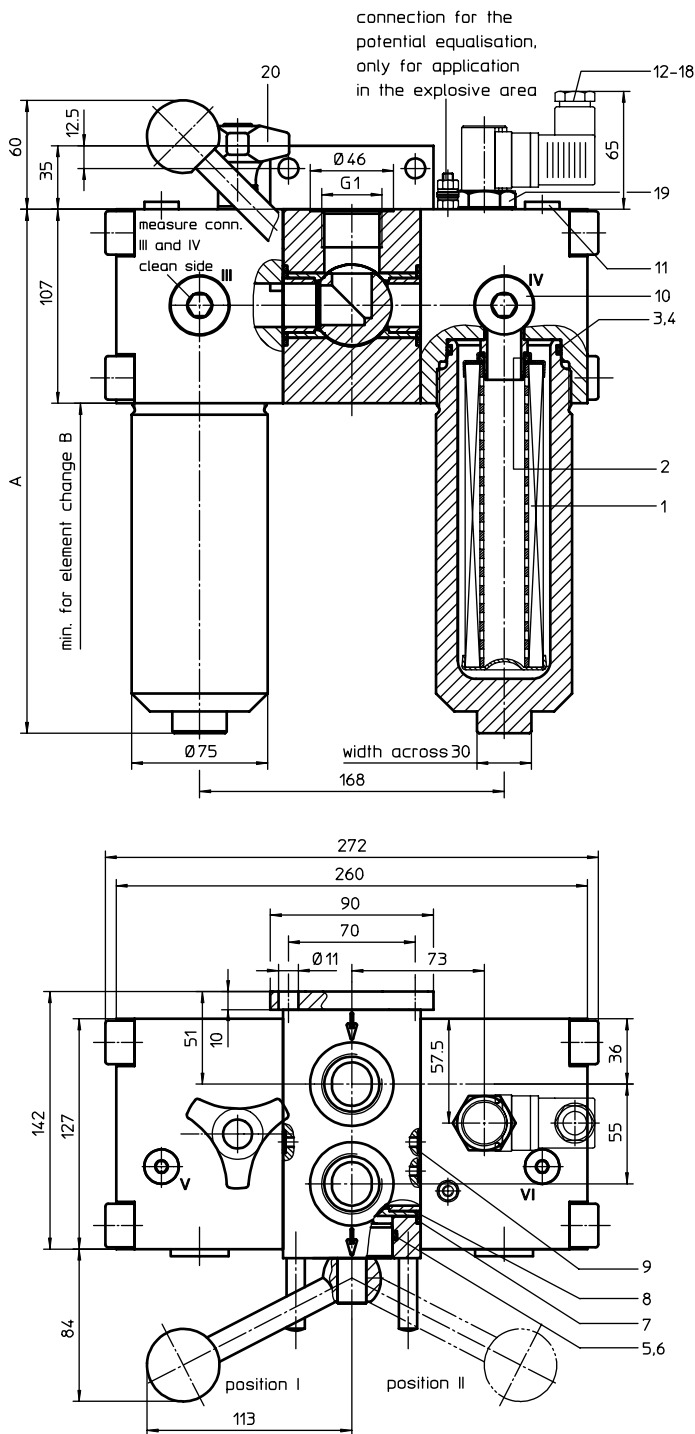


# STAINLESS STEEL-PRESSURE FILTER, change-over

## Series EHD 61-151 DN 25 PN 315

Sheet No.  
**2530 E**



Pos. I: left filter-side in operation  
Pos. II: right filter-side in operation  
Connection V and VI to be used to bleed filter or to relieve pressure

### 1. Type index:

#### 1.1. Complete filter: (ordering example)

**EHD. 91. 10VG. HR. E. P. VA. G. 5. VA. -. AE**

1	2	3	4	5	6	7	8	9	10	11	12
---	---	---	---	---	---	---	---	---	----	----	----

- 1 **series:**  
EHD = stainless steel-pressure filter, change-over
- 2 **nominal size:** 61, 91, 151
- 3 **filter-material and filter-fineness:**  
80G = 80  $\mu\text{m}$ , 40G = 40  $\mu\text{m}$ ,  
25G = 25  $\mu\text{m}$  stainless steel wire mesh  
25 VG = 20  $\mu\text{m}_{(c)}$ , 16 VG = 15  $\mu\text{m}_{(c)}$ , 10 VG = 10  $\mu\text{m}_{(c)}$ ,  
6 VG = 7  $\mu\text{m}_{(c)}$ , 3 VG = 5  $\mu\text{m}_{(c)}$  Interpor fleece (glass fibre)
- 4 **resistance of pressure difference for filter element:**  
30 =  $\Delta p$  30 bar  
HR =  $\Delta p$  160 bar (rupture strength  $\Delta p$  250 bar)
- 5 **filter element design:**  
E = single-end open
- 6 **sealing material:**  
P = Nitrile (NBR)  
V = Viton (FPM)
- 7 **filter element specification:** (see catalog)  
- = standard  
VA = stainless steel  
IS06 see sheet-no. 31601
- 8 **connection:**  
G = thread connection according to ISO 228
- 9 **connection size:**  
5 = G 1
- 10 **filter housing specification:**  
VA = stainless steel
- 11 **internal valve:**  
- = without  
S1 = with by-pass valve  $\Delta p$  3,5 bar  
S2 = with by-pass valve  $\Delta p$  7,0 bar  
R = reversing valve,  $Q \leq 70,06$  l/min
- 12 **clogging indicator or clogging sensor :**  
- = without  
AOR = visual, see sheet-no. 1606  
AOC = visual, see sheet-no. 1606  
AE = visual-electrical, see sheet-no. 1615  
VS1 = electronical, see sheet-no. 1617  
VS2 = electronical, see sheet-no. 1618

#### 1.2. Filter element: (ordering example)

**01E. 90. 10VG. HR. E. P. VA**

1	2	3	4	5	6	7
---	---	---	---	---	---	---

- 1 **series:**  
01E. = filter element according to INTERNORMEN factory specification
- 2 **nominal size:** 60, 90, 150
- 3 - 7 see type index-complete filter

### 2. Accessories:

- measure- and bleeder connection, see sheet-no. 1650

### 3. Dimensions:

type	connection	A	B	weight kg	volume tank
EHD 61	G1	224	210	30	2x 0,25 l
EHD 91		289	340	32	2x 0,4 l
EHD 151		399	450	35	2x 0,6 l

EDV 04/08

Changes of measures and design are subject to alteration!

**internormen**  
technology

Friedensstrasse 41, 68804 Altlusheim, Germany

phone +49 - (0)6205 - 2094-0  
fax +49 - (0)6205 - 2094-40

e-mail sales@internormen.com  
url www.internormen.com



## 4. Spare parts:

item	qty.	designation	dimension			article-no.	
			EHD 61 01E.60	EHD 91 01E.90	EHD 151 01E.150		
1	2	filter element					
2	2	O-ring		22 x 3,5		304341 (NBR)	304392 (FPM)
3	2	O-ring		56 x 3		305072 (NBR)	305322 (FPM)
4	2	support ring		63 x 2,6 x 1		312309	
5	3	O-ring		45 x 3		304991 (NBR)	304997 (FPM)
6	2	support ring		49,7 x 2,4 x 1		317709	
7	4	O-ring		38 x 3		304340 (NBR)	317013 (FPM)
8	4	O-ring		28 x 3		316778 (NBR)	318366 (FPM)
9	4	O-ring		8 x 2		310004 (NBR)	316530 (FPM)
10	2	screw plug		G ¼		313815	
11	2	screw plug		G ¼		306968	
12	1	clogging indicator, visual		AOR or AOC		see sheet-no. 1606	
13	1	clogging indicator, visual-electrical		AE		see sheet-no. 1615	
14	1	clogging sensor, electrical		VS1		see sheet-no. 1617	
15	1	clogging sensor, electrical		VS2		see sheet-no. 1618	
16	1	O-ring		15 x 1,5		315357 (NBR)	315427 (FPM)
17	1	O-ring		22 x 2		304708 (NBR)	304721 (FPM)
18	1	O-ring		14 x 2		304342 (NBR)	304722 (FPM)
19	1	screw plug		20913-4		314442	
20	1	pressure balance valve					

item 19 execution only without clogging indicator or clogging sensor

## 5. Description:

Duplex pressure filters with change-over valve type EHD are suitable for a working pressure up to 315 bar.

The pressure peaks are absorbed by a sufficient margin of safety. Duplex filters can be serviced without interruption of operation. The upper part has a three-way-change-over valve which allows to change-over the flow from the dirty filter-side to the clean filter-side without interrupting the operation. The change-over procedure does not lead to a cross sectional contraction. Prior to the change-over procedure a built-in pressure balance valve equalizes the housing pressure. After change-over the pressure balance valve is to be closed again. The closed filter-side has to be air-bled by vent V respectively by vent VI. Then change filter element. After screw in the filter bowl the pressure balance has to be opened shortly and the just serviced filter-side has to be air-bled. Filter elements are available down to a filter fineness of 4 µm<sub>(c)</sub>.

INTERNORMEN-Filter elements are known as elements with a high intrinsic stability and an excellent filtration capability, a high dirt-retaining capacity and a long service life.

INTERNORMEN-Filter are suitable for all petroleum based fluids, HW-emulsions, most synthetic hydraulic fluids and lubrication oils.

INTERNORMEN-Filter elements are available with a pressure difference resistance up to Δp 160 bar and a rupture strength up to Δp 250 bar.

The internal valves are integrated into the centering pivot for the filter element. After reaching the opening pressure the by-pass valve causes that an unfiltered partial flow passes the filter. With the reverse valve a protection of the filter element is given when having a reverse flow inside the filter. The reverse flow will not be filtered.

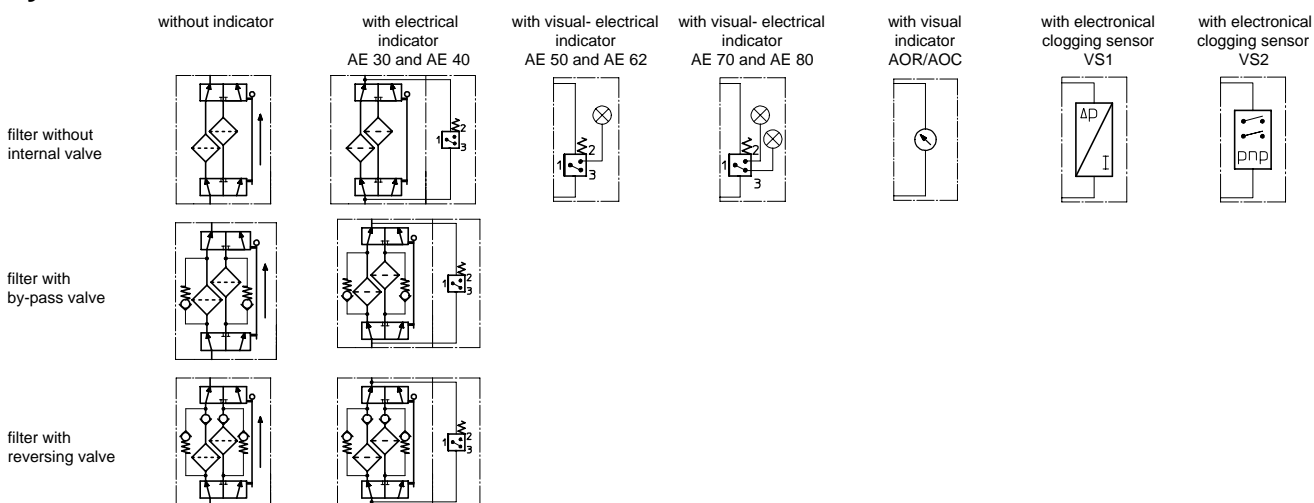
## 6. Technical data:

temperature range:	-10°C to +80°C (for a short time +100°C)
operating medium:	mineral oil, other media on request
max. operating pressure:	315 bar
test pressure:	410 bar
connection system:	thread connection according to ISO 228
housing material:	DIN 17440 - 1.4571 (320 S 18, 320 S 31 according to B.S.)
sealing material:	Nitrile (NBR) or Viton (FPM), other materials on request
installation position:	vertical
air bleeding and mini-measuring connections dirt side:	G ¼
measuring connections clean side:	G ¼

Classified under the Pressure Equipment Directive 97/23/EC for mineral oil (fluid group 2), Article 3, Para. 3.

Classified under ATEX Directive 94/9/EC according to specific application (see questionnaire sheet-no. 34279-4).

## 7. Symbols:



## 8. Pressure drop flow curves:

Precise flow rates see 'INT-Expert-System Filter' respectively Δp-curves ; depending on filter fineness and viscosity.

## 9. Test methods:

Filter elements are tested according to the following ISO standards:

ISO 2941	Verification of collapse/burst resistance
ISO 2942	Verification of fabrication integrity
ISO 2943	Verification of material compatibility with fluids
ISO 3723	Method for end load test
ISO 3724	Verification of flow fatigue characteristics
ISO 3968	Evaluation of pressure drop versus flow characteristics
ISO 16889	Multi-pass method for evaluating filtration performance