

EVACUATION- and BLEEDER-CONNECTIONS

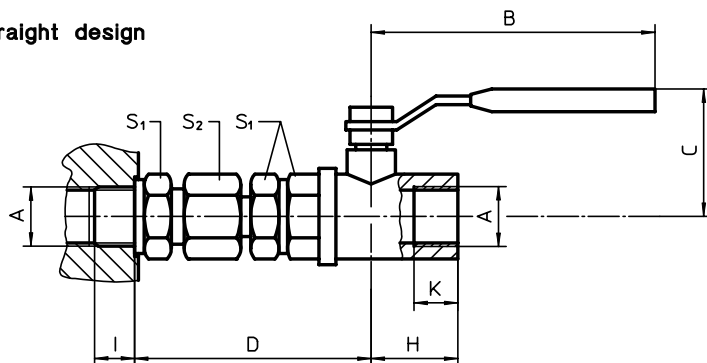
Series EE

N 15 - 40

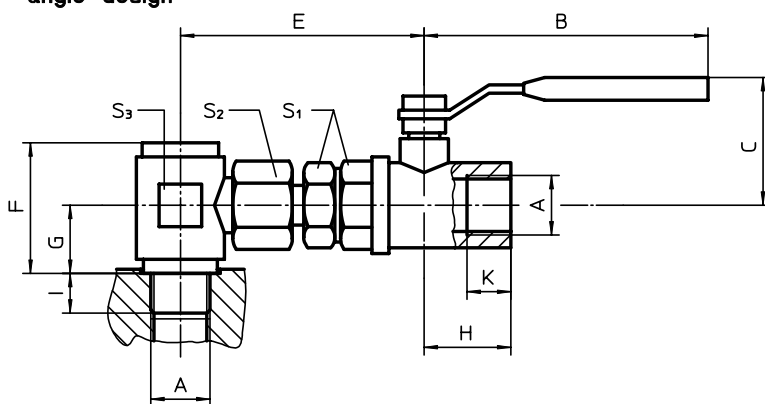
PN 32

Sheet No.
1651 D

straight design



angle-design



1. Type index: (ordering example)

EE. 32. G. 3. W. ST

1	2	3	4	5	6
---	---	---	---	---	---

- 1 series:
EE = evacuation- and bleeder-connection
- 2 pressure range:
32 = 32 bar
- 3 connection:
G = thread acc. to DIN 3852, T2
- 4 connection size:
3 = G ½ A
5 = G 1 A
7 = G 1 ½ A
- 5 design:
G = straight design
W = angle design
- 6 material:
ST = steel
VA = stainless steel

2. Dimensions:

connection size A	B	C	D	E	F	G	H	I	K	S ₁	S ₂	S ₃
G ½ A	100	45	86	90	42	21	30,5	14	15,5	27	27	32
G 1 A	120	57	98	112	64	32	45,5	18	21,0	41	41	50
G 1 ½ A	160	82	124	145	85	42	58,5	22	24,5	55	60	70

3. Technical data:

temperature range: -40°C to +80°C (short in time +100°C)
 max. operating pressure: 32 bar
 installation position: any
 fluid: mineral oils, lubricating oils,
 synthetic hydraulic fluids, emulsions

4. Description:

When maintaining and servicing filters the drain-plugs and air-bleed connections are used to drain and to bleed the fluid inside the filter. This applies to filters with a operating pressure of PN ≤ 32 bar. The connection size is to be chosen according to the corresponding connections of the filter housing.
 During operation of the filter, the connection has to remain closed.