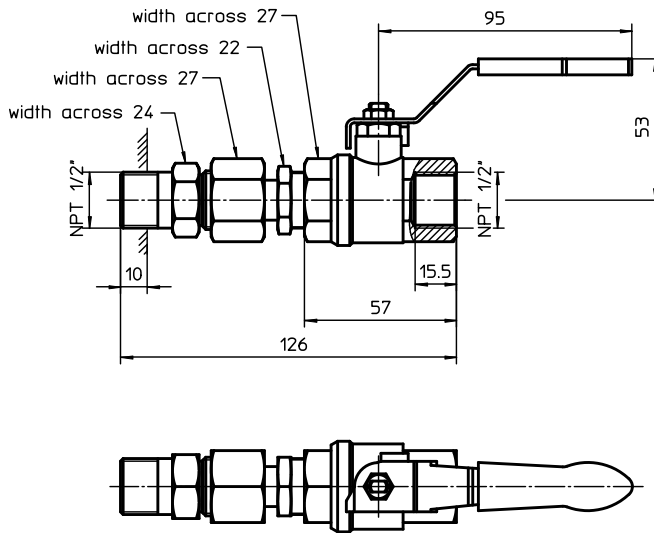


# EVACUATION- and BLEEDER-CONNECTIONS

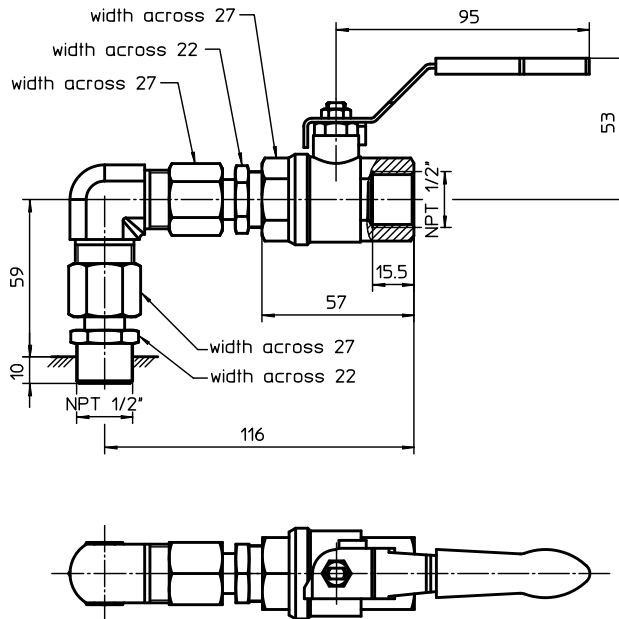
Series EE DN 15 PN 63 for DA/EDA filter

Sheet No.  
1659 A

## straight design



## angle-design



## 1. Type index: (ordering example

**EE. 63. NPT. 3. W. VA**

1	2	3	4	5	6
---	---	---	---	---	---

- 1 **series:**  
EE = evacuation- and bleeder-connection
- 2 **pressure range:**  
63 = 63 bar
- 3 **connection:**  
NPT = thread acc. to ANSI B1.20.1
- 4 **connection size:**  
3 = 1/2"
- 5 **design:**  
G = straight design  
W = angle design
- 6 **material:**  
VA = stainless steel

## 2. Technical data:

- temperature range: -40°C bis +80°C  
(short in time +100°C)
- max. operating pressure: 63 bar
- installation position: any
- fluid: mineral oils, lubricating oils,  
synthetic hydraulic fluids,  
emulsions

## 3. Description:

When maintaining and servicing filters the drain-plugs and air-bleed connections are used to drain and to bleed the fluid inside the filter. This applies to filters with a operating pressure of PN ≤ 63 bar. During operation of the filter, the connection has to remain closed.