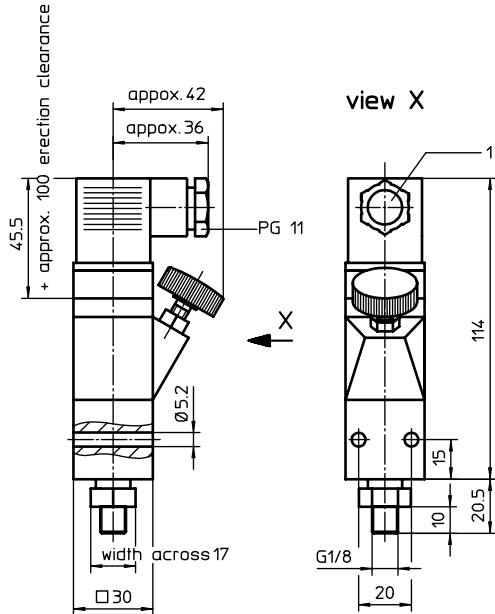


Clogging indicator E6 ... GS



1. Type index: (ordering example)

E 6. 1,5. GS

1	2	3
---	---	---

1 series:

E6 = pressure switch, contact maker and contact breaker

2 switching pressure:

1,5 = 1,5 bar
2,5 = 2,5 bar

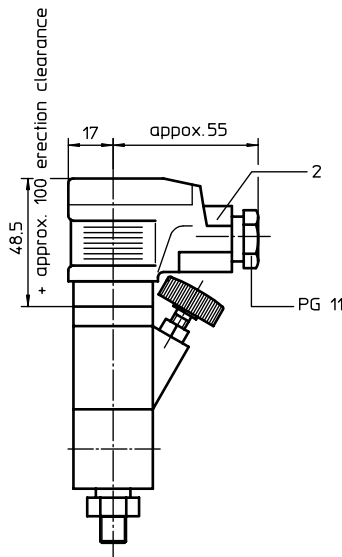
3 connection:

GS = line adapter DIN 43650-A, three-channel plug
SS3 = line adapter DIN 43650-A, three-channel plug with LED indication of switching position

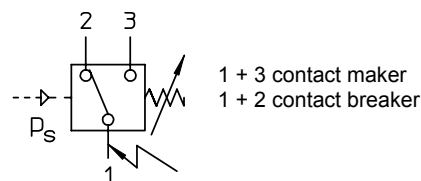
2. Technical data:

max. pressure:	to 100 bar
temperature range:	- 20 °C to + 80 °C
type of protection:	IP 55
connection of cable:	PG 11
max. contact load with GS-line adapter:	U _{max} = 250 V AC I _{max} = 2 A P _{max} = 500 VA
distribution voltage with SS3-line adapter:	U _{max} = 24 V DC
max. contact load with SS3-line adapter:	I _{max} = 2 A P _{max} = 48 VA

Clogging indicator E6 ... SS3



3. Symbol:



4. Spare parts:

item	qty.	designation	dimension	article-no.
1	1	GS	DIN 43650-A	312492
2	1	SS3	DIN 43650-A	312478