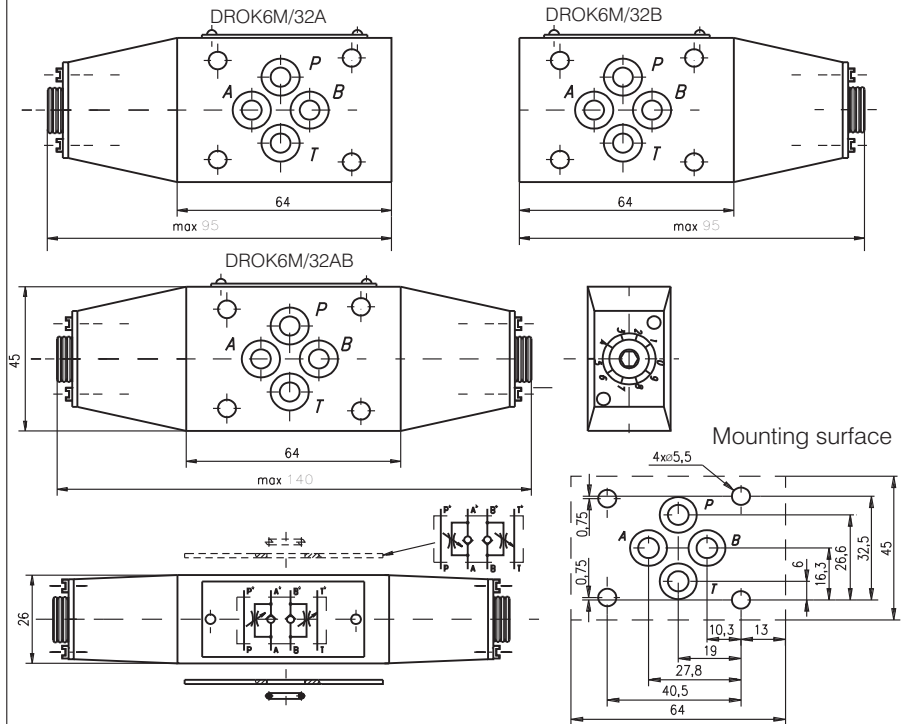


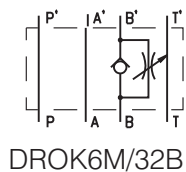
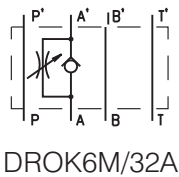
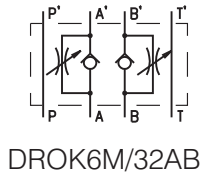
DESCRIPTION

- ✓ Adjustable throttles with check valves for modular mounting-DROK6M/32-...
- ✓ The throttle check valves limit the flow by adjustable throttling spool at one direction , and allow free return passing through the other.
- ✓ Mounting surface CETOP3 ; NG6

DIMENSIONS



SYMBOL



ORDERING CODE

DROK 6 M / 32 ***

Adjustable throttle with check valve

Nominal bore 6mm.

Modular mounting

Rated pressure: up to 320 bar.-32

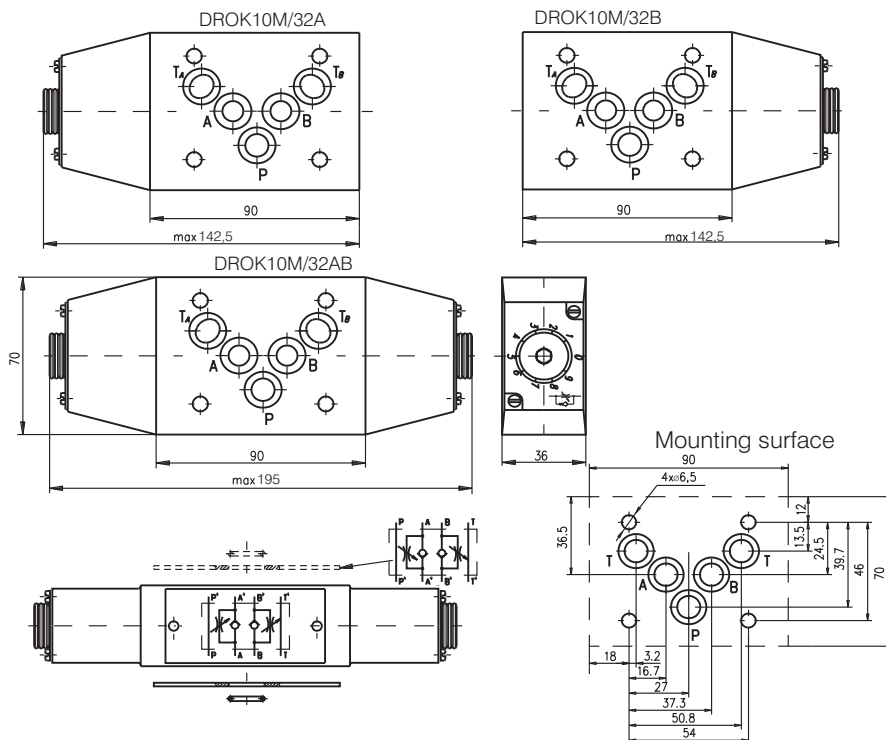
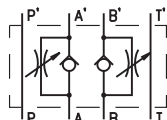
Valve position: at line A - A
at line B - B
at line A and B - AB

TECHNICAL DATA

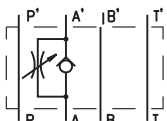
Weight	-with one valve	0,650 kg
	-with two valves	0,810 kg
Max. Pressure		320 bar
Rated flow ($\Delta p=3,5$ bar.)		20 l/min
Cracking pressure (for check valve)		0,2 bar
Working liquid-hydraulic oils with characteristics:		
-viscosity		10...400 cSt
-degree of filtration		0,025 mm
-temperature		-20...+80°C

DESCRIPTION

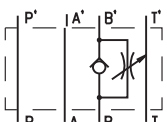
- ✓ Adjustable throttles with check valves for modular mounting-DROK10M/32-...
- ✓ The throttle check valves limit the flow by adjustable throttling spool at one direction , and allow free return passing on the other.
- ✓ Mounting surface CETOP5 ; NG10

DIMENSIONS

SYMBOL


DROK10M/32AB



DROK10M/32A



DROK10M/32B

ORDERING CODE

DROK	10	M	/	32	***
------	----	---	---	----	-----

Adjustable throttle with check valve

Nominal bore 10mm.

Modular mounting

Rated pressure: up to 320 bar.-32

 Valve position:

- at line A - A
- at line B - B
- at line A and B - AB

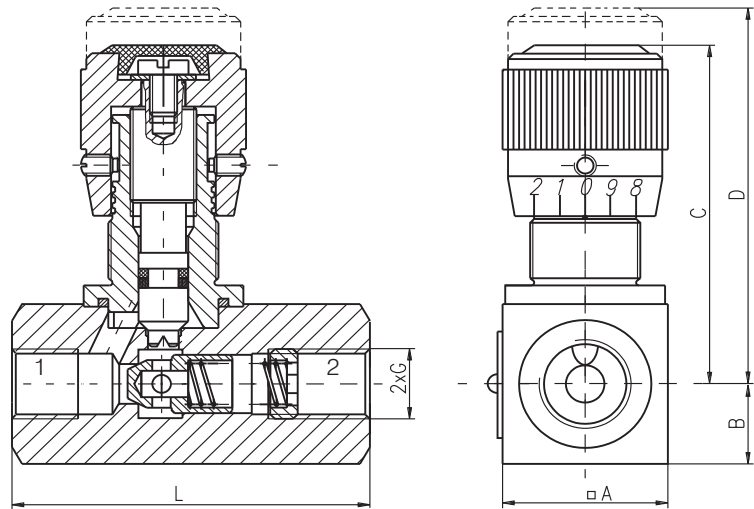
TECHNICAL DATA

Weight	-with one valve	2,100 kg
	-with two valves	2,500 kg
Max. Pressure		320 bar
Rated flow ($\Delta p=2,5$ bar.)		40 l/min
Cracking pressure (for check valve)		0,2 bar
Working liquid-hydraulic oils with characteristics:		
-viscosity		10...400 cSt
-degree of filtration		0,025 mm
-temperature		-20...+80°C

DESCRIPTION

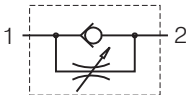
- ✓ Adjustable throttles with check valves for pipe mounting-DROK...T/32-...
- ✓ The throttle check valves limit the flow by adjustable throttling spool at one direction , and allow free return passing on the other.

DIMENSIONS



TYPE	L	A	B	C	D
	mm.				
DROK6T/32-1/4"	65	30	15	63	70
DROK6T/32-3/8"	65	30	15	63	70
DROK10T/32-1/2"	79	32	13,5	66,5	73,5

SYMBOL



ORDERING CODE

DROK *** T / 32 - ***

Adjustable throttle with check valve

Nominal bore: 6mm - 6
10mm - 10

Pipe mounting

Rated pressure: up to 320 bar.-32

Mounting threads: G1/4 - 1/4
G3/8 - 3/8
G1/2 - 1/2

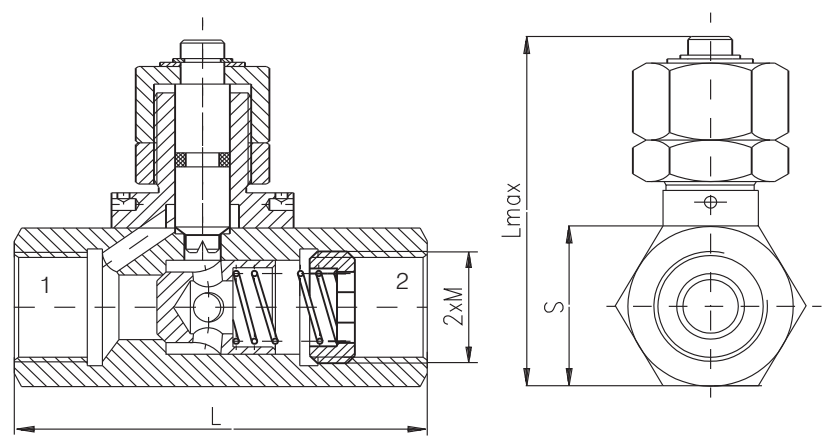
TECHNICAL DATA

Max. Pressure		320 bar
Rated flow (Δp=2,5 bar.)	DROK6T/32-...	20 l/min
Rated flow (Δp=2,5 bar.)	DROK10T/32-1/2	40 l/min
Cracking pressure (for check valve)		0,3 bar
Working liquid-hydraulic oils with characteristics:		
-viscosity		10...400 cSt
-degree of filtration		0,025 mm
-temperature		-20...+80°C

DESCRIPTION

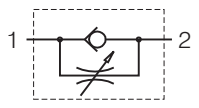
✓ Adjustable throttles with check valves for pipe mounting-DROK...T/25
 ✓ The throttle check valves limit flow by adjustable throttling spool at one direction , and allow free return passing on the other.

DIMENSIONS



TYPE	L	Lmax	S	M
	mm.			
DROK12T/25	68	59	27	18x1,5
DROK16T/25	82	62	30	22x1,5
DROK20T/25	92	68	36	27x2

SYMBOL



ORDERING CODE

DROK * * * **T** / **25**

Adjustable throttle with check valve

Nominal bore: 12mm - 12
 16mm - 16
 20mm - 20

Pipe mounting

Rated pressure: up to 250 bar.-25

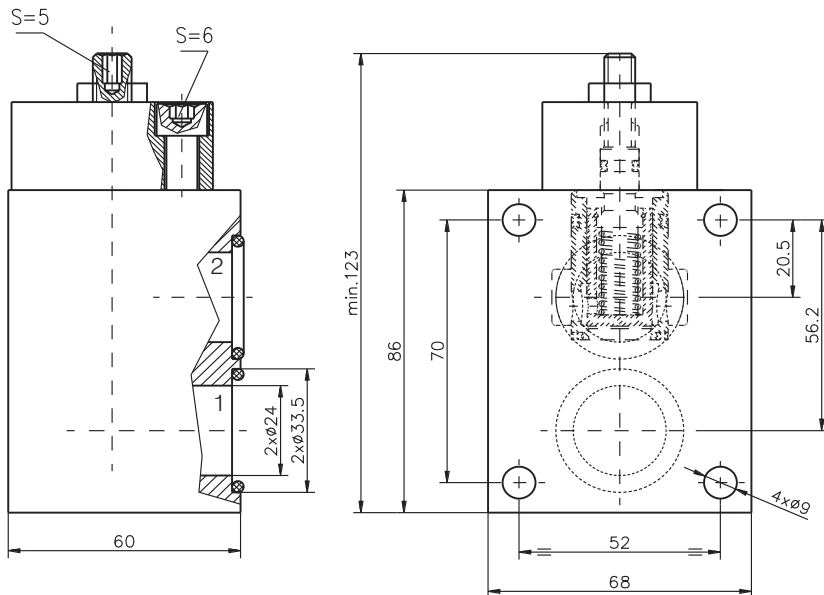
TECHNICAL DATA

Max. Pressure		250 bar
Rated flow ($\Delta p=2,5$ bar.)	DROK12T/25	25 l/min
	DROK16T/25	40 l/min
	DROK20T/25	63 l/min
Cracking pressure (for check valve)		0,3 bar
Working liquid-hydraulic oils with characteristics:		
-viscosity		10...400 cSt
-degree of filtration		0,025 mm
-temperature		-20...+80°C

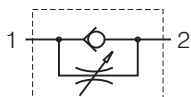
DESCRIPTION

- ✓ Adjustable throttles with check valves for pipe mounting-DROK16P
- ✓ The throttle check valves limit flow by adjustable throttling spool at one direction, and allow free return passing on the other.

DIMENSIONS



SYMBOL



ORDERING CODE

DROK 16 P

Adjustable throttle with check valve

Nominal bore - 16 mm.

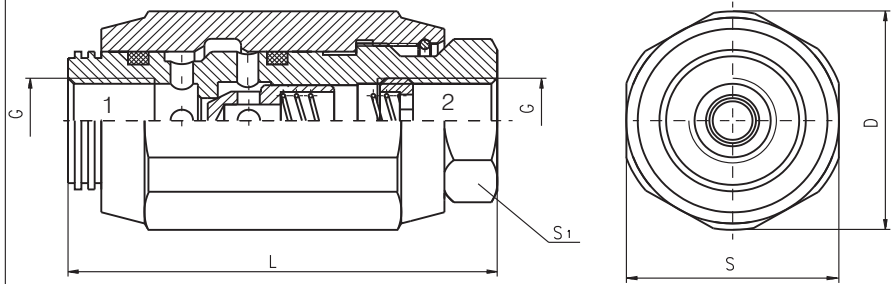
Pipe mounting

TECHNICAL DATA

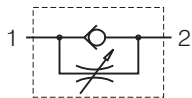
Max. Pressure	320 bar
Rated flow ($\Delta p=2,5$ bar.)	160 l/min
Cracking pressure (for check valve)	0,5 bar
Working liquid-hydraulic oils with characteristics:	
-viscosity	10...400 cSt
-degree of filtration	0,025 mm
-temperature	-20...+80°C

DESCRIPTION

- ✓ Adjustable throttles with check valves for pipe mounting-DROK-...
- ✓ The throttle check valves limit flow by adjustable throttling spool at one direction , and allow free return passing on the other.

DIMENSIONS


TYPE	L	S	S1	D	G
DROK-1/4"	65	32	22	34	1/4"
DROK-3/8"	65	36	24	38	3/8"
DROK-1/2"	82	42	29	44	1/2"
DROK-3/4"	100	52	36	55	3/4"
DROK-1"	126	65	45	70	1"

SYMBOL

ORDERING CODE

DROK	-	***
------	---	-----

Adjustable throttle with check valve

Mounting threads:

- G1/4-1/4"
- G3/8-3/8"
- G1/2-1/2"
- G3/4-3/4"
- G1-1"

TECHNICAL DATA

Max. Pressure		320 bar
Rated flow ($\Delta p=2,5$ bar.)	-1/4	12 l/min
	-3/8	20 l/min
	-1/2	45 l/min
	-3/4	80 l/min
	-1	160 l/min
Working liquid-hydraulic oils with characteristics:		
-viscosity		10...400 cSt
-degree of filtration		0,025 mm
-temperature		-20...+80°C