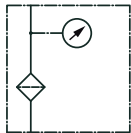
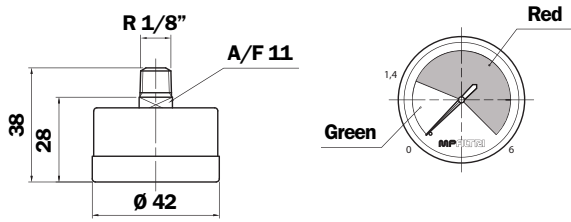


Clogging indicators

Gauge SERIES VRP01

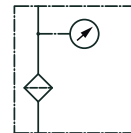
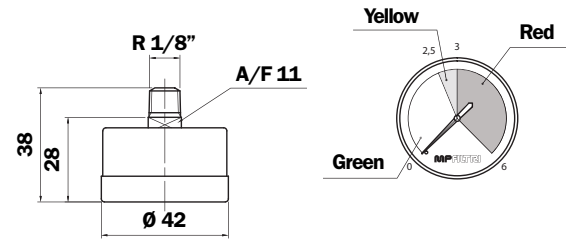


Type of indicator visual-analogue.

Scale Green = cartridge clean
Red = open by-pass

Connection R 1/8" UNI EN 10226
Operating temperature From -25 °C to +85 °C
Scale ranges 6 bar - 87 PSI
Weight: 0,07 kg.

Gauge SERIES VR25P01

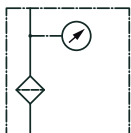
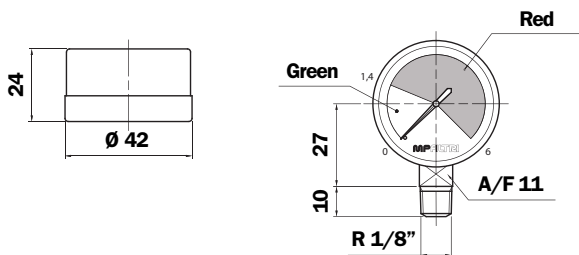


Type of indicator visual-analogue.

Scale Green = cartridge clean
Yellow = cartridge clogged
Red = open by-pass

Connection R 1/8" UNI EN 10226
Operating temperature From -25 °C to +85 °C
Scale ranges 6 bar - 87 PSI
Weight: 0,07 kg.

Gauge SERIES V1P01

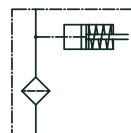
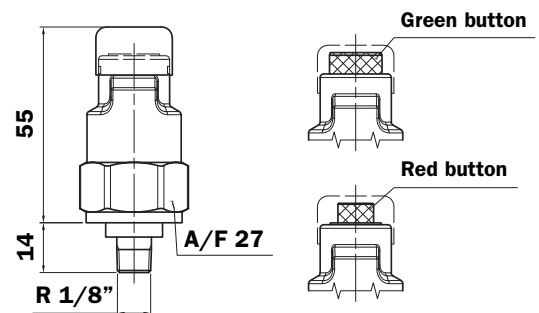


Type of indicator visual-analogue.

Scale Green = cartridge clean
Red = open by-pass

Connection R 1/8" UNI EN 10226
Operating temperature From -25 °C to +85 °C
Scale ranges 6 bar - 87 PSI
Weight: 0,07 kg.

SERIES VP VISUAL

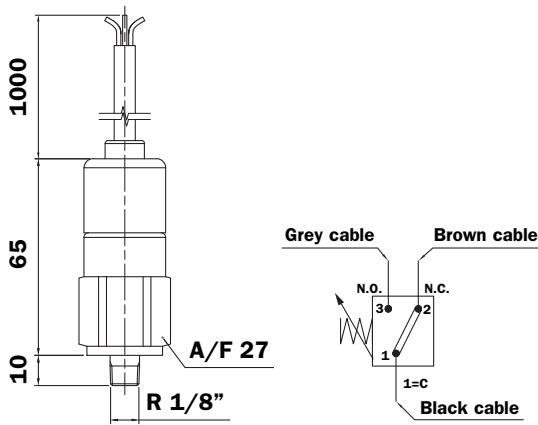


Visual indicator

Nylon signalling button.
Button depressed position = cartridge clean
Button raised position, Green = cartridge clean
Button raised position, Red = open by-pass

Connection R 1/8" UNI EN 10226
Operating temperature From -25 °C to +85 °C
Pressure setting 1,5 - 2 bar
Button depressed position Automatic reset or Manual reset
Weight: 0,08 kg.

SERIES FE xx H1EP01 ELECTRICAL



Technical data

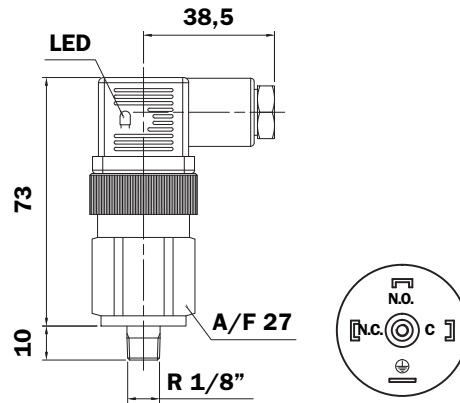
Body	Brass
Membrane	HNBR
Connection	R 1/8" UNI EN 10226
Operating temperature	From -25°C to +80°C
Pressure setting	1,5 - 2 bar
Hysteresis	10% of setting value
Weight:	0,14 kg.

Electrical data

Connector	PVC cable 4x0,5 L= 1m
Protection degree	IP67
Load Max contact	AC 125 V - 5 A (Resistive)
	250 V - 5 A (Resistive)
	DC 14 V - 5 A (Resistive)
	30 V - 4 A (Resistive)

SERIES FE xx H1 x P01 ELECTRICAL/VISUAL

Connector EN 175301-803 A/ISO 4400



Technical data

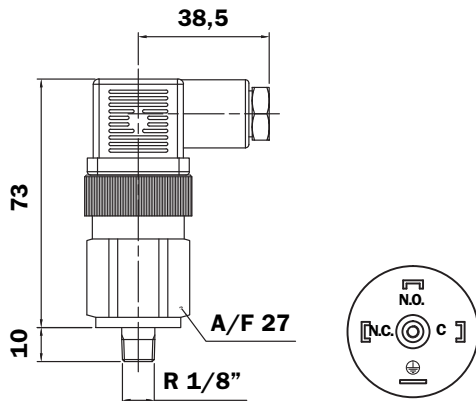
Body	Brass
Membrane	HNBR
Connection	R 1/8" UNI EN 10226
Operating temperature	From -25°C to +80°C
Pressure setting	1,5 - 2 bar
Hysteresis	10% of setting value
Weight:	0,15 kg.

Electrical data

Connector	EN 175301-803 - 30x30 with LED
Power supply	B: 24 VDC
	C: 110 VDC
	D: 220 VAC
Protection degree	IP65

SERIES FE xx H1AP01 ELECTRICAL

Connector EN 175301-803 A/ISO 4400



Technical data

Body	Brass
Membrane	HNBR
Connection	R 1/8" UNI EN 10226
Operating temperature	From -25°C to +80°C
Pressure setting	1,5 - 2 bar
Hysteresis	10% of setting value
Weight:	0,15 kg.

Electrical data

Connector	EN 175301-803 - 30x30
Protection degree	IP65
Load Max contact	AC 125 V - 5 A (Resistive)
	250 V - 5 A (Resistive)
	DC 14 V - 5 A (Resistive)
	30 V - 4 A (Resistive)

Indicator order Code

Filter with bypass valve 1,75 bar

Code	Automatic reset	Manual reset
VR P01		
VP 15 A A P01	X	
VP 15 A M P01		X
FE 15 H 1 A P01		
FE 15 H 1 E P01		
FE 15 H 1 B P01 (24V)		
FE 15 H 1 C P01 (110V)		
FE 15 H 1 D P01 (220V)		

Filter with bypass valve 2,5 - 3 bar

Code	Automatic reset	Manual reset
VR25 P01		
VP 20 A A P01	X	
VP 20 A M P01		X
FE 20 H 1 A P01		
FE 20 H 1 E P01		
FE 20 H 1 B P01 (24V)		
FE 20 H 1 C P01 (110V)		
FE 20 H 1 D P01 (220V)		

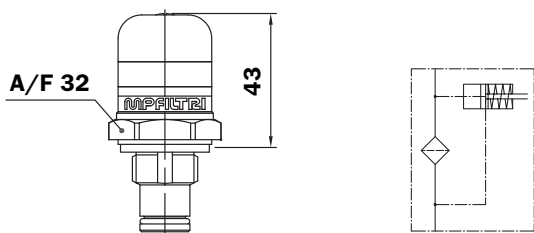
Differential indicators

Pressure:

Working pressure 420 bar

Pulse pressure fatigue test: 1.000.000 cycles with pressure from 0 to 420 bar (42 MPa)

SERIES V VISUAL

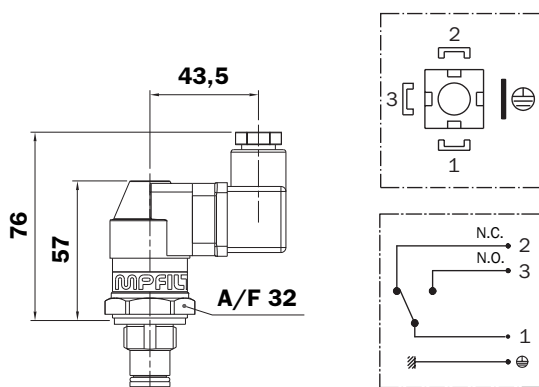


Cover and lens in nylon.

Visual indicator green = cartridge clean
 Visual indicator red = cartridge clogged
 Weight: 0,14 kg.
 Tightening torque: 95 Nm.

SERIES E ELECTRICAL/VISUAL

Connector EN 175301-803 A/ISO 4400



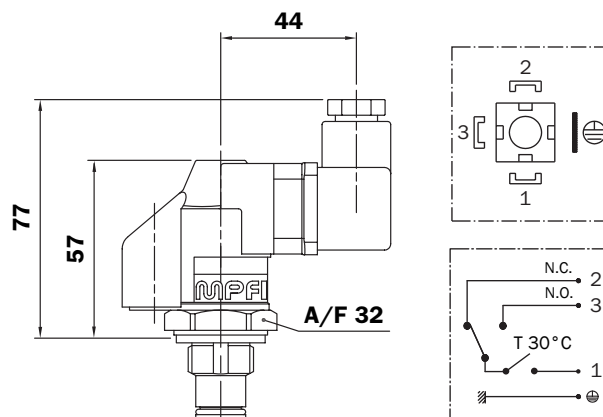
Protection rating IP65
 Max. contact rating 5 A/250V ~
 Power supply voltage 230 V ~
 Connector DIN 43650
 Cable gland PG 9

Cover and lens in nylon.

Visual indicator green = cartridge clean
 Visual indicator red = cartridge clogged
 Weight: 0,19 kg.
 Tightening torque: 95 Nm.

SERIES J ELECTRICAL/VISUAL WITH THERMOSTAT CONTROL

Connector EN 175301-803 A/ISO 4400



Protection rating IP65
 Max. contact rating 5 A/250V ~
 Power supply voltage 230 V ~
 Connector DIN 43650
 Cable gland PG 9

Cover and lens in nylon.

Visual indicator green = cartridge clean
 Visual indicator red = cartridge clogged

THERMOSTAT CONTACT N.O.
 Operation on reaching temperature of +30°C

Weight: 0,20 kg.
 Tightening torque: 95 Nm.

Order code

1	2	3	4

Example 1: 1 E - -
 Example 2: - E 6 -

1 - Differential trip pressure

1 1,2 bar ± 10% (only for style V - E)

2 - Style

V Visual
E Electrical-Visual
J Electrical-Visual thermostat controlled

3 - Differential trip pressure

6 2 bar ± 10%

4 - Seals

FPM Standard
x Others on request

Seal for indicator/filter head, Bonded Seal.

