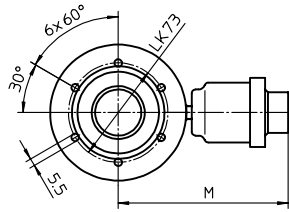
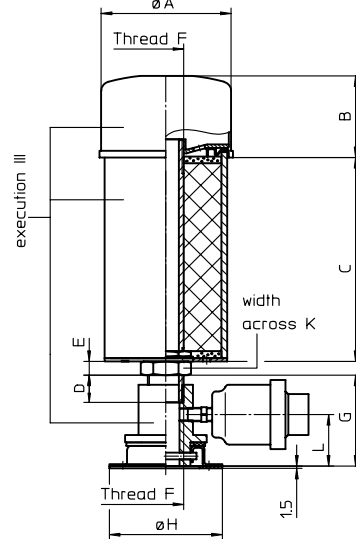
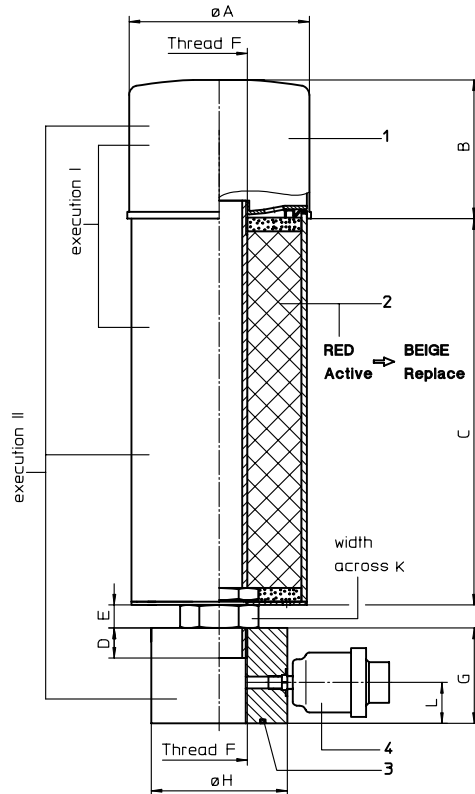
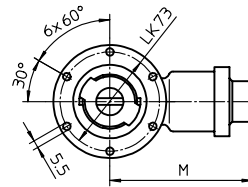


BREATHER FILTER
Series BFD 95-130

BFD 95, 100, 125, 130 execution II



BFD 95, 100 execution III



2. Dimensions:

Type	execution	A	B	C	D	E	F	G	H	K	L	M	weight (g)
BFD 95	I	95	60	90	20	10	G ¾	-	-	32	-	-	1150
BFD 100	I			150									1400
BFD 125	I	125	102	145	30	10	G 1 ¼	-	-	50	-	-	3400
BFD 130	I			255									4300
BFD 95	II	95	60	90	20	10	G ¾	50	88	32	30	119	1350
BFD 100	II			150									1600
BFD 125	II	125	102	145	30	10	G 1 ¼	70	100	50	30	125	4600
BFD 130	II			255									5500
BFD 95	III	95	60	90	20	10	G ¾	67	83	32	38	105	1450
BFD 100	III			150									1700

EDV 10/06

1. Type index:

1.1. Complete filter: (ordering example)

BFD. 95. 3VL. P. G. 4. II. FMI

1	2	3	4	5	6	7	8
---	---	---	---	---	---	---	---

- 1 **series:**
BFD = Silicagel Desiccant breather
- 2 **nominal size:** 95, 100, 125, 130
- 3 **filter-material and filter-fineness:**
3VL = filtration efficiency D 100 = 3
- 4 **sealing material:**
P = Nitrile (NBR)
- 5 **connection:**
G = threaded connection (BSPP)
- 6 **connection size:**
4 = G ¾ (size 95, 100)
6 = G 1 ¼ (size 125, 130)
- 7 **execution:**
I = without adapter
II = with adapter AP1 (only for size 95, 100) or
with adapter AP2 (only for size 125, 130)
III = with adapter AP3 to retrofit EBF.50 (only for size 95, 100)
- 8 **clogging indicator:**
- = without
FMI = filter minder (only for execution II and III)

1.2. Filter element: (ordering example)

01WP. 95/100. 3VL. P

1	2	3	4
---	---	---	---

- 1 **series:**
01WP = spin-on cartridge
- 2 **nominal size:** WP 95/100 (for BFD 95, 100)
WP 125/130 (for BFD 125, 130)
- 3 - 4 see Type index-complete filter

1.3. Replacement Gel: (ordering example)

RG. 95

1	2
---	---

- 1 **series:**
RG = Replacement Gel
- 2 **nominal size:** 95, 100, 125, 130

Changes of measures and design are subject to alteration!



Friedensstrasse 41, 68804 Altlusheim, Germany

phone +49 - (0)6205 - 2094-0 e-mail sales@internormen.com
fax +49 - (0)6205 - 2094-40 url www.internormen.com



2. Spare parts:

item	designation	qty.	dimension	article-no.
1	spin-on cartridge	1	01WP....	
2	replacement gel	1	RG....	
3	O-ring	1	47,22 x 3,53	305078 (NBR)
4	clogging indicator	1	FMI	

3. Description:

3.1 Condensation in reservoirs:

When the reservoir breathers, air containing water vapor is ingested into the system. Temperature fluctuations will cause the water vapor to condense. This condensed water will speed up the oxidation of the oil and lead to damage in the machine. The Catalytic action of metal particles present in the contamination process speeds up Both these processes. The air conditioner first dries the air as it passes through the Silica gel granules and the dry air passes through a 3 micron rated synthetic Media element to remove any solid contamination particles.

The expelled air reaches the atmosphere via the same route but in the opposite direction.

Air Driver - As moisture is absorbed, the silica gel granules will gradually change color from a deep red to beige. When the granules are beige, replace the silica gel.

3.2 Mounting:

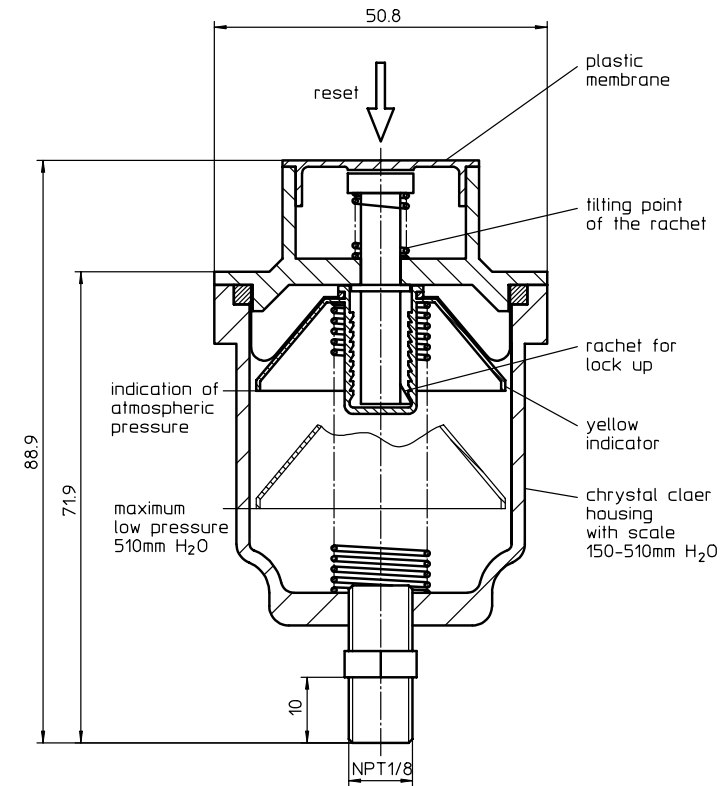
Direct mount onto the reservoir or use an adaptor plate which fits the standard 6-bolt pattern for filler breathers. Remove protective covering from silica gel inlet holes before installation.

4. Technical data:

Type	max. Volume flow (m ³ /min)	max. hygroscapacity (g)	Silica gel filling weight (g)
BFD 95	0,5	86,5	225
BFD 100	0,5	173	450
BFD 125	1,25	288	750
BFD 130	1,25	576	1500

5. Filter minder: (ordering example)

FMI = filter minder



5.1 Description:

Air Filter -The adaptor plate has a connection for the „filter minder“. This gives a static indication of the air breather. The unit can be reset when the element is Changed.