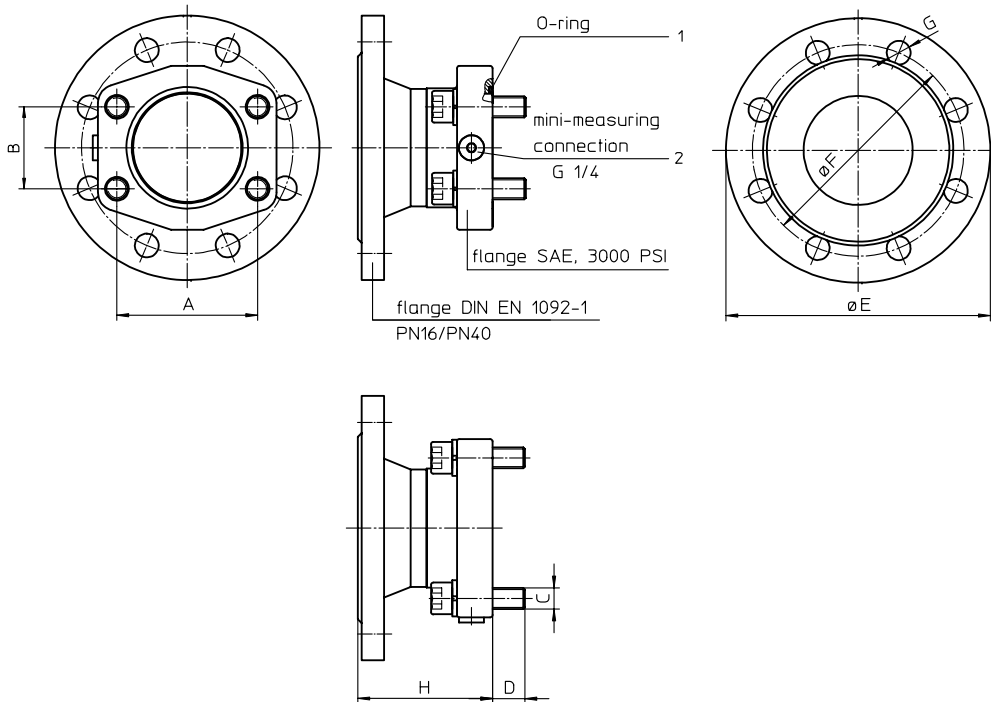


ADAPTER, SAE to DIN EN 1092-1 Series ASD DN 20-125

Sheet No.
1657 A



Dimensions:

connection	nominal pressure	A	B	C	D	O-ring	E	F	G	H
DN 20	PN16	47,6	22,2	M10	16	24,99 x 3,53	105	75	14	77
DN 25		52,4	26,2	M10	16	32,90 x 3,53	115	85	14	78
DN 40 ¹⁾		77,8	42,9	M12	18	56,75 x 3,53	150	110	18	88
DN 50		77,8	42,9	M12	18	56,75 x 3,53	165	125	18	92
DN 65		89,0	50,8	M12	18	69,45 x 3,53	185	145	18	97
DN 80		106,4	62,0	M16	25	85,32 x 3,53	200	160	18	102
DN 100		130,0	77,8	M16	25	110,72 x 3,53	220	180	18	104
DN 125	152,4	92,0	M16	25	136,12 x 3,53	250	210	18	107	
DN 20	PN40	47,6	22,2	M10	16	24,99 x 3,53	105	75	14	78
DN 25		52,4	26,2	M10	16	32,90 x 3,53	115	85	14	80
DN 40 ¹⁾		77,8	42,9	M12	18	56,75 x 3,53	150	110	18	91
DN 50		77,8	42,9	M12	18	56,75 x 3,53	165	125	18	95
DN 65		89,0	50,8	M12	18	69,45 x 3,53	185	145	18	104
DN 80		106,4	62,0	M16	25	85,32 x 3,53	200	160	18	110
DN 100		130,0	77,8	M16	25	110,72 x 3,53	235	190	22	117
DN 125	152,4	92,0	M16	25	136,12 x 3,53	270	220	26	120	

¹⁾ by counter flange SAE 2" to 1 1/2" 3000 PSI

1. Type index: (ordering example)

ASD. FS. A. FD1. A. P. ST

1	2	3	4	5	6	7
---	---	---	---	---	---	---

- series:**
ASD = adapter SAE to DIN EN 1092-1
- connection 1:**
FS = flange SAE-J518c, 3000 PSI
- connection size 1:**
4 = 3/4"
5 = 1"
8 = 2"
9 = 2 1/2"
A = 3"
B = 4"
C = 5"
- connection 2:**
FD1 = flange DIN EN 1092-1, design B1, PN16
FD2 = flange DIN EN 1092-1, design B2, PN16
FD41 = flange DIN EN 1092-1, design B1, PN40
FD42 = flange DIN EN 1092-1, design B2, PN40
- connection size 2:**
4 = DN 20
5 = DN 25
7 = DN 40
8 = DN 50
9 = DN 65
A = DN 80
B = DN 100
C = DN 125
- sealing material:**
P = Nitrile (NBR)
V = Viton (FPM)
- flange material:**
ST = steel
VA = stainless steel

2. Spare parts:

item	qty.	designation	dimension	article-no.	
1	1	O-ring	24,99 x 3,53	304381 (NBR)	305784 (FPM)
	1	O-ring	32,90 x 3,53	318850 (NBR)	338231 (FPM)
	1	O-ring	56,75 x 3,53	306035 (NBR)	310264 (FPM)
	1	O-ring	69,45 x 3,53	305868 (NBR)	307357 (FPM)
	1	O-ring	85,32 x 3,53	305590 (NBR)	306308 (FPM)
	1	O-ring	110,72 x 3,53	316355 (NBR)	316356 (FPM)
	1	O-ring	136,12 x 3,53	320162 (NBR)	320163 (FPM)
2	1	screw plug	G 1/4	305003 (ST)	306968 (VA)

Changes of measures and design are subject to alteration!

internormen
technology

Friedensstrasse 41, 68804 Altlussheim, Germany

phone +49 - (0)6205 - 2094-0 e-mail sales@internormen.com
fax +49 - (0)6205 - 2094-40 url www.internormen.com

