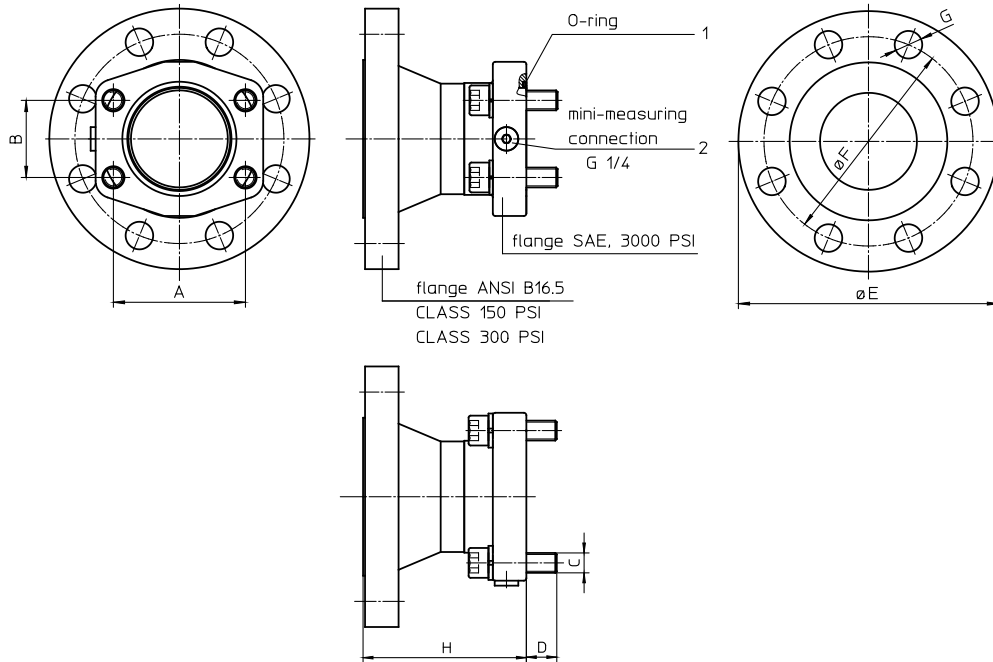


ADAPTER, SAE to ANSI Series ASA 3/4" - 5"

Sheet No.
1658 D



Dimensions:

connection	nominal pressure	A	B	C	D	O-ring	E	F	G	H
3/4"	CLASS 150 PSI	47,6	22,2	M10	16	24,99 x 3,53	98,6	69,9	15,7	90
1"		52,4	26,2	M10	16	32,90 x 3,53	108,0	79,2	15,7	95
1 1/2" ¹⁾		77,8	42,9	M12	18	56,75 x 3,53	127,0	98,6	15,7	109
2"		77,8	42,9	M12	18	56,75 x 3,53	152,4	120,7	19,1	110
2 1/2"		89,0	50,8	M12	18	69,45 x 3,53	177,8	139,7	19,1	122
3"		106,4	62,0	M16	25	85,32 x 3,53	190,5	152,4	19,1	122
4"	CLASS 300 PSI	130,0	77,8	M16	25	110,72 x 3,53	228,6	190,5	19,1	128
5"		152,4	92,0	M16	25	136,12 x 3,53	254,0	215,9	22,4	141
3/4"		47,6	22,2	M10	16	24,99 x 3,53	117,3	52,5	19,0	95
1"		52,4	26,2	M10	16	32,90 x 3,53	123,9	88,9	19,0	102
1 1/2" ¹⁾		77,8	42,9	M12	18	56,75 x 3,53	155,4	114,3	22,3	115
2"		77,8	42,9	M12	18	56,75 x 3,53	165,1	127,0	19,0	117
2 1/2"		89,0	50,8	M12	18	69,45 x 3,53	190,5	149,3	22,3	128
3"		106,4	62,0	M16	25	85,32 x 3,53	209,5	168,1	22,3	132
4"		130,0	77,8	M16	25	110,72 x 3,53	254,0	200,1	22,3	138
5"	152,4	92,0	M16	25	136,12 x 3,53	279,4	234,9	22,3	151	

¹⁾ by counter flange SAE 2" to 1 1/2" 3000 PSI

1. Type index: (ordering example)

ASA. FS. A. FA1. A. P. ST

1	2	3	4	5	6	7
---	---	---	---	---	---	---

1 series:

ASA = adapter SAE to ANSI

2 connection 1:

FS = flange SAE-J518c, 3000 PSI

3 connection size 1:

4 = 3/4"
5 = 1"
8 = 2"
9 = 2 1/2"
A = 3"
B = 4"
C = 5"

4 connection 2:

FA11 = ANSI-flange CLASS 150 PSI, sealing surface R_z = 160µm (not finer than 40µm)
FA12 = ANSI-flange CLASS 150 PSI, sealing surface R_z = 16µm
FA1 = ANSI-flange CLASS 300 PSI, sealing surface R_z = 160µm (not finer than 40µm)
FA2 = ANSI-flange CLASS 300 PSI, sealing surface R_z = 16µm

5 connection size 2:

4 = 3/4"
5 = 1"
7 = 1 1/2"
8 = 2"
9 = 2 1/2"
A = 3"
B = 4"
C = 5"

6 sealing material:

P = Nitrile (NBR)
V = Viton (FPM)

7 flange material:

ST = steel
VA = stainless steel

2. Spare parts:

item	qty.	designation	dimension	article-no.	
1	1	O-ring	24,99 x 3,53	304381 (NBR)	305784 (FPM)
	1	O-ring	32,90 x 3,53	318850 (NBR)	338231 (FPM)
	1	O-ring	56,75 x 3,53	306035 (NBR)	310264 (FPM)
	1	O-ring	69,45 x 3,53	305868 (NBR)	307357 (FPM)
	1	O-ring	85,32 x 3,53	305590 (NBR)	306308 (FPM)
	1	O-ring	110,72 x 3,53	316355 (NBR)	316356 (FPM)
	1	O-ring	136,12 x 3,53	320162 (NBR)	320163 (FPM)
2	1	screw plug	G 1/4	305003 (ST)	306968 (VA)

Changes of measures and design are subject to alteration!