

APPLICATION

Plates type 4 UL 06 ... are housings that make assembly of cartridge valves possible.

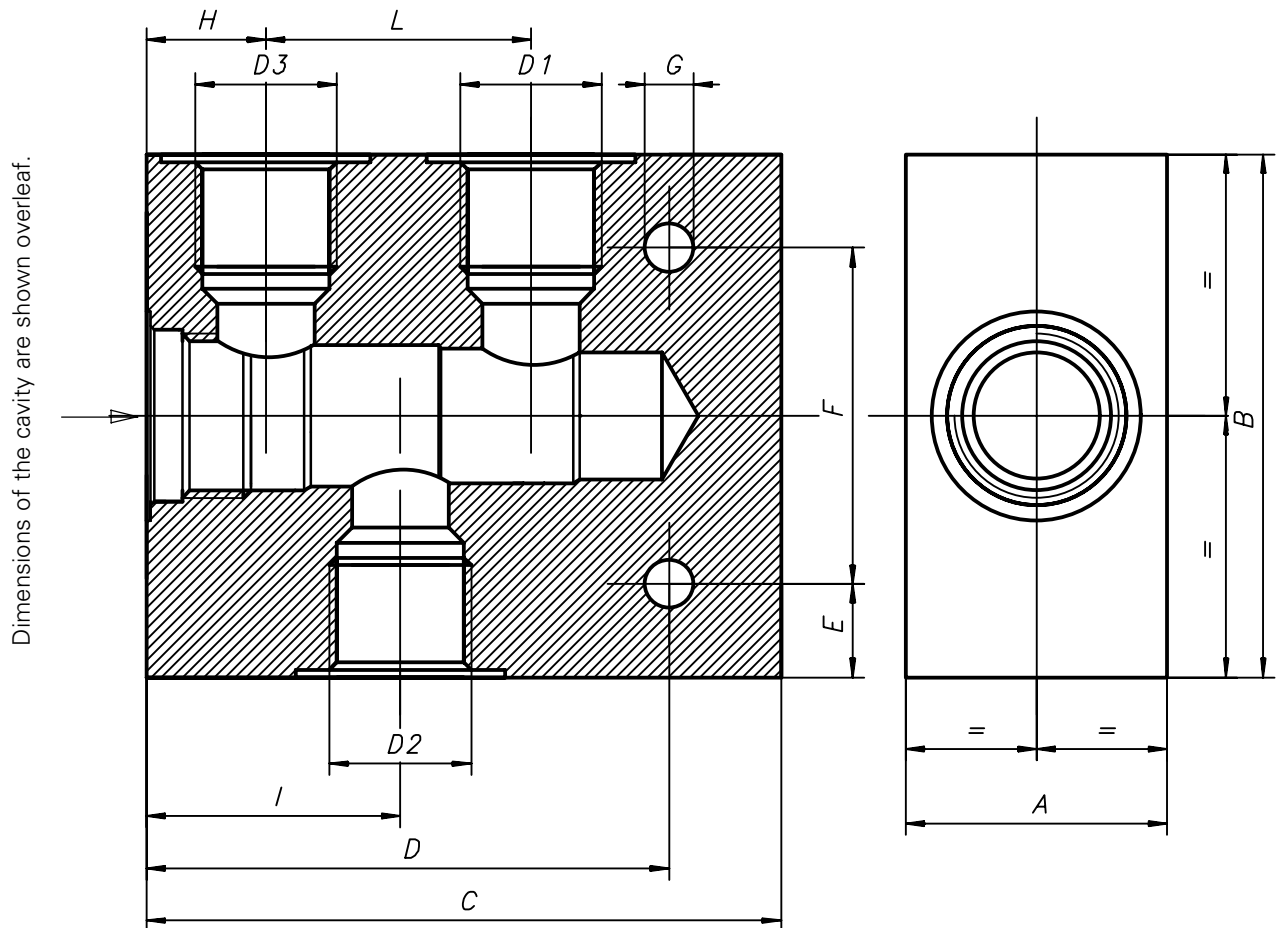
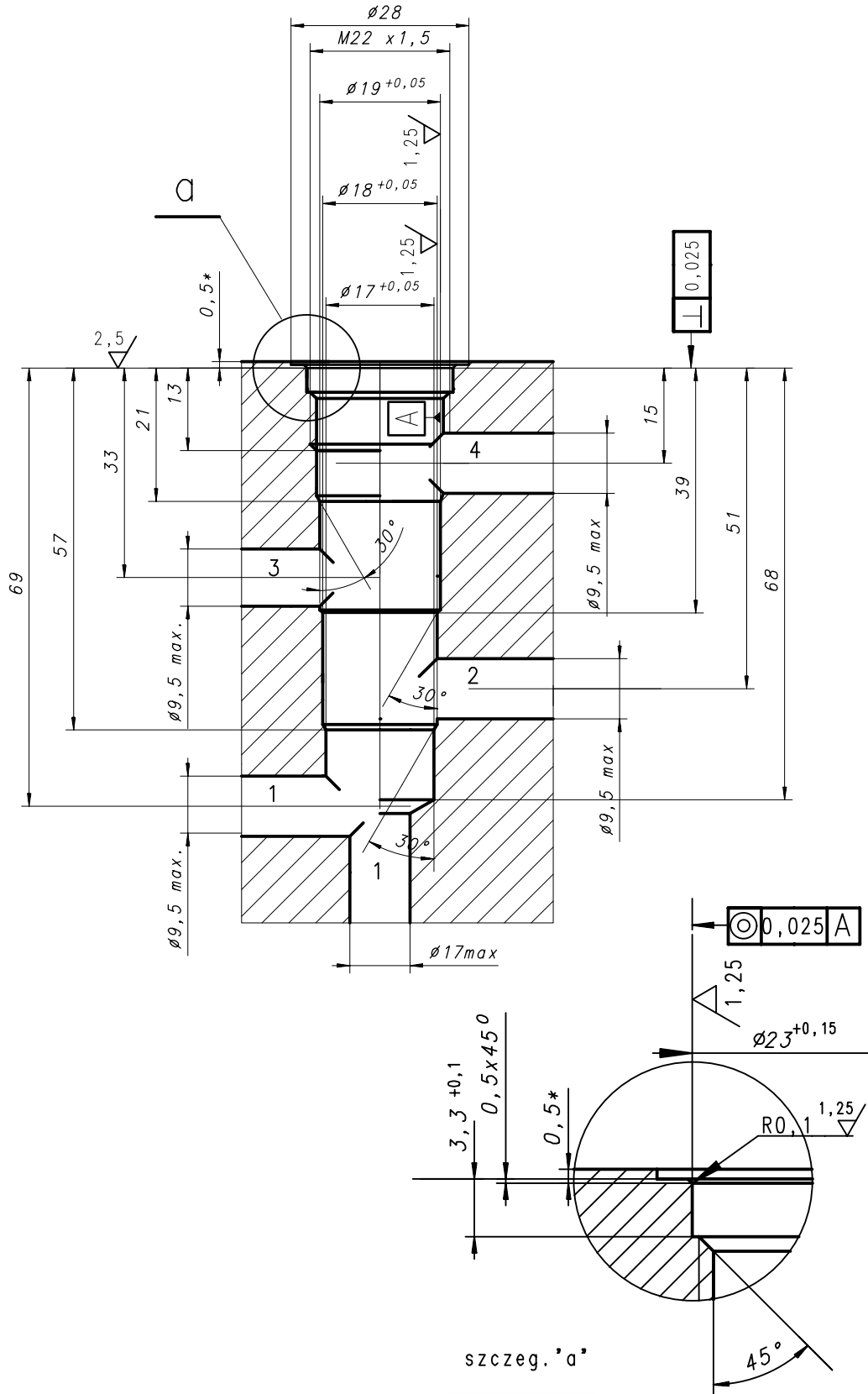


Plate UL 06/8

DIMENSIONS TABLE

Order number	D1	D2	D3	A	B	C	D	E	F	G	H	I	L	Weight	Material
4UL06/8 - G2	G ^{3/8"}	G ^{3/8"}	G ^{3/8"}	30	60	85	70	7,5	45	φ 6,5	16	34	36	0,320 kg	Aluminium
4UL06/8 - G3	G ^{1/2"}	G ^{1/2"}	G ^{1/2"}	35	70	85	70	12,5	45	φ 6,5	16	34	36	0,450 kg	Aluminium

OVERALL AND MOUNTING DIMENSIONS FOR VALVE CAVITY.



PONAR WADOWICE S.A.
 ul. Wojska Polskiego 29
 34-100 Wadowice
 tel. 033/ 823 39 43, 823 30 41
 fax 033/ 873 48 80
 e-mail: ponar@ponar-wadowice.pl

PONAR[®]
 wadowice