

**APPLICATION**

Plates type 4 UL 06 ... are housings that make assembly of cartridge valves possible.

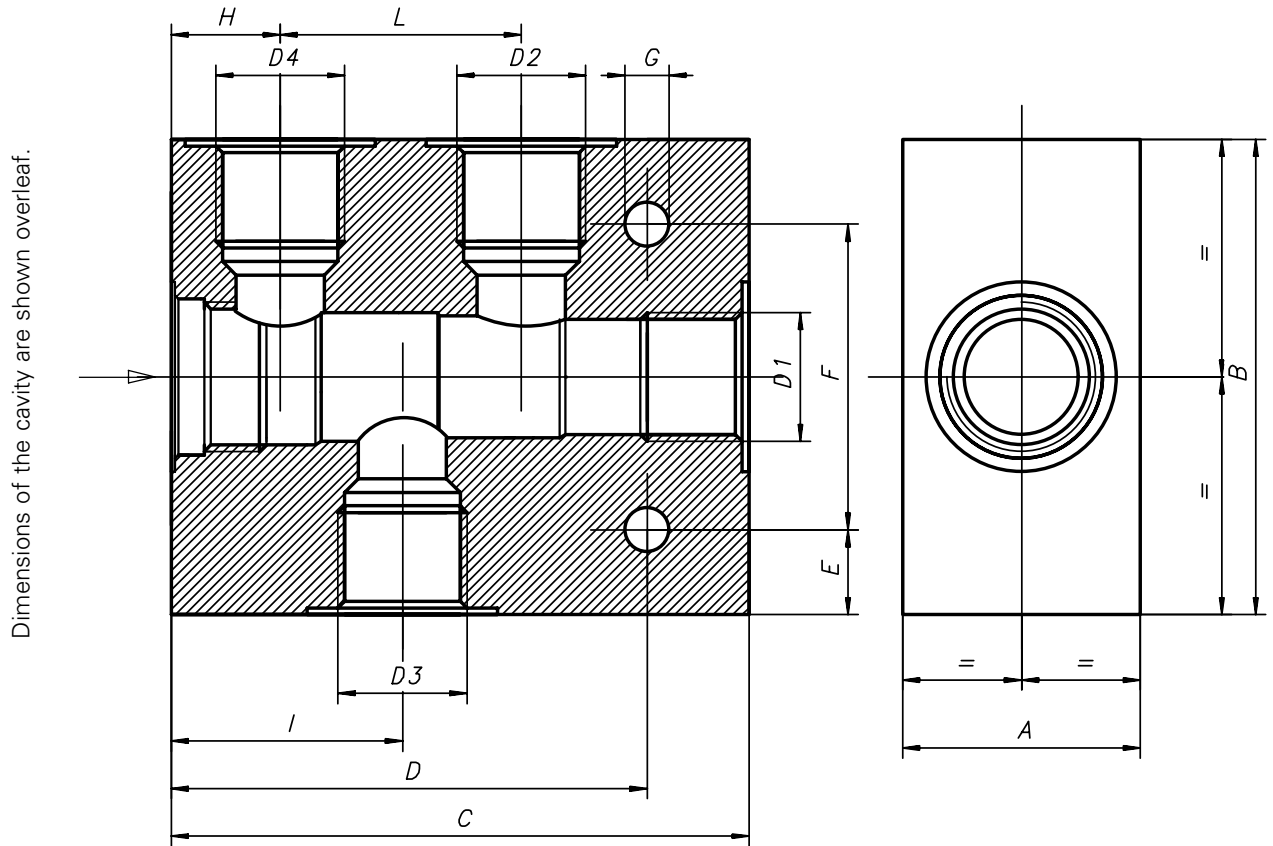


Plate 3 UL 06/7

**DIMENSIONS TABLE**

Order number	D1	D2	D3	D4	A	B	C	D	E	F	G	H	I	L	Weight	Material
4UL06/7 - G2	G <sup>3/8</sup>	G <sup>3/8</sup>	G <sup>3/8</sup>	G <sup>3/8</sup>	30	60	85	70	7,5	45	φ 6,5	16	34	36	0,320 kg	Aluminium
4UL06/7 - G3	G <sup>1/2</sup>	G <sup>1/2</sup>	G <sup>1/2</sup>	G <sup>1/2</sup>	35	70	85	70	12,5	45	φ 6,5	16	34	36	0,450 kg	Aluminium
4UL06/7 - M2	M14x1,5	M14x1,5	M14x1,5	M14x1,5	30	70	85	70	7,5	45	φ 6,5	16	34	36	0,330 kg	Aluminium

