

**APPLICATION**

Plates type 3 UL 06 ... are housings that make assembly of cartridge valves possible.

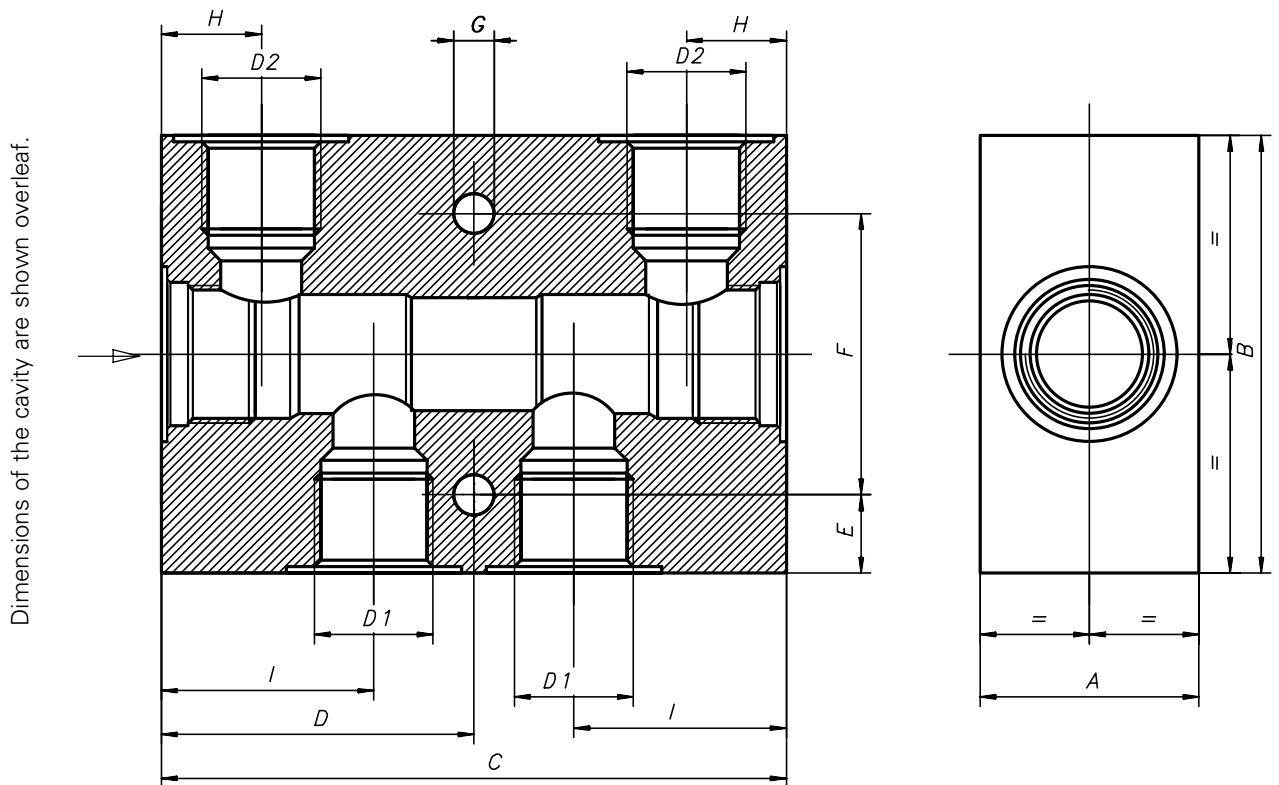
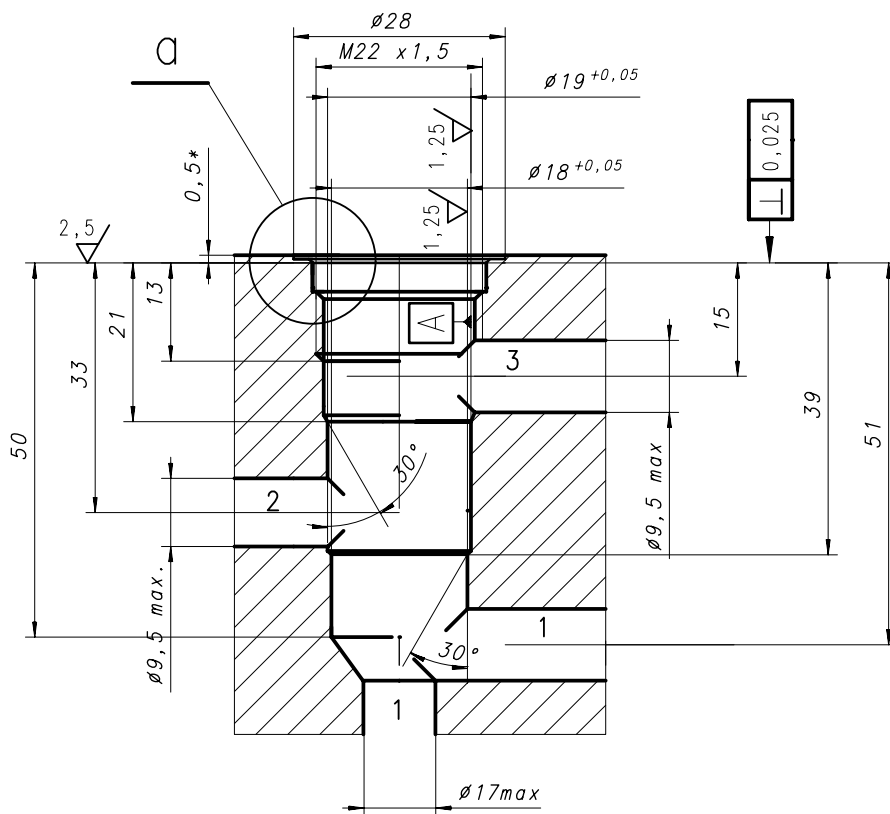
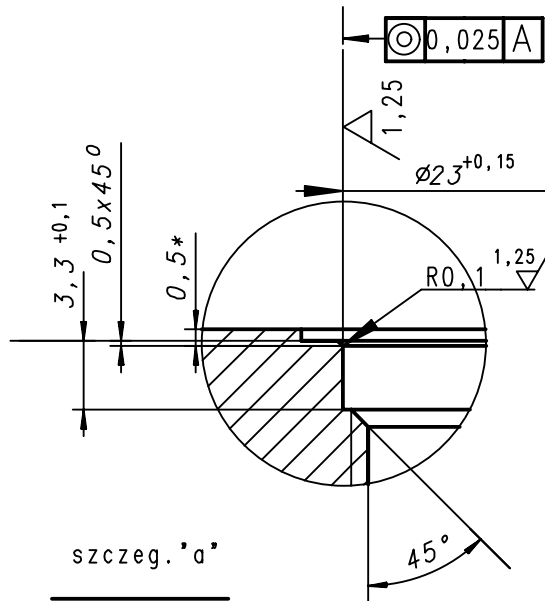


Plate 3 UL 06/6

**DIMENSIONS TABLE**

Order number	D1	D2	A	B	C	D	E	F	G	H	I	Weight	Material
3UL06/6 - G2	G <sup>3/8</sup>	G <sup>3/8</sup>	30	60	100	50	7,5	45	φ 6,5	16	34	0,370 kg	Aluminium
3UL06/6 - G3	G <sup>1/2</sup>	G <sup>1/2</sup>	35	70	100	50	12,5	45	φ 6,5	16	34	0,520 kg	Aluminium

OVERALL AND MOUNTING DIMENSIONS FOR VALVE CAVITY.



PONAR WADOWICE S.A.  
ul. Wojska Polskiego 29  
34-100 Wadowice  
tel. 033/ 823 39 43, 823 30 41  
fax 033/ 873 48 80  
e-mail: ponar@ponar-wadowice.pl

