

APPLICATION

Plates type 3 UL 06 ... are housings that make assembly of cartridge valves possible.

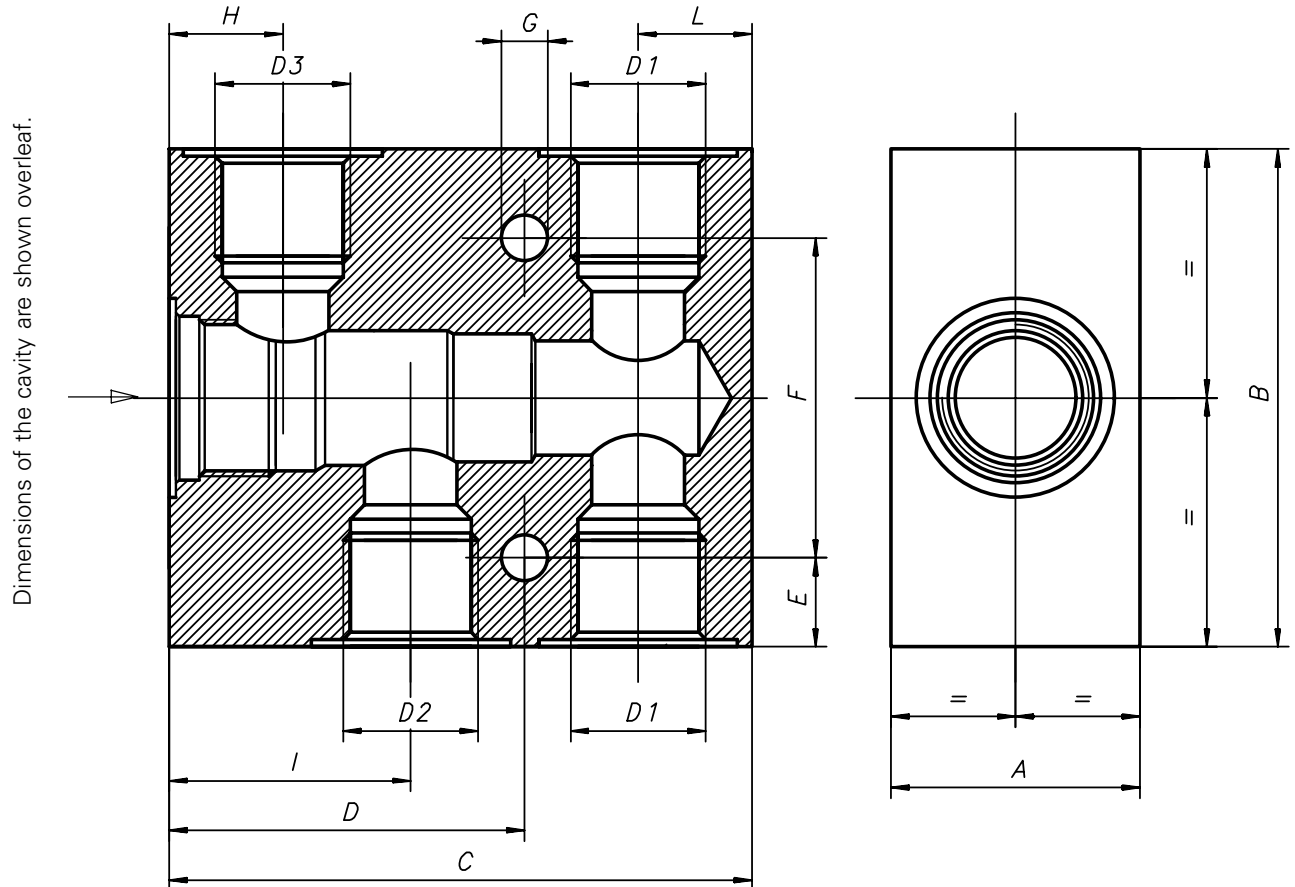
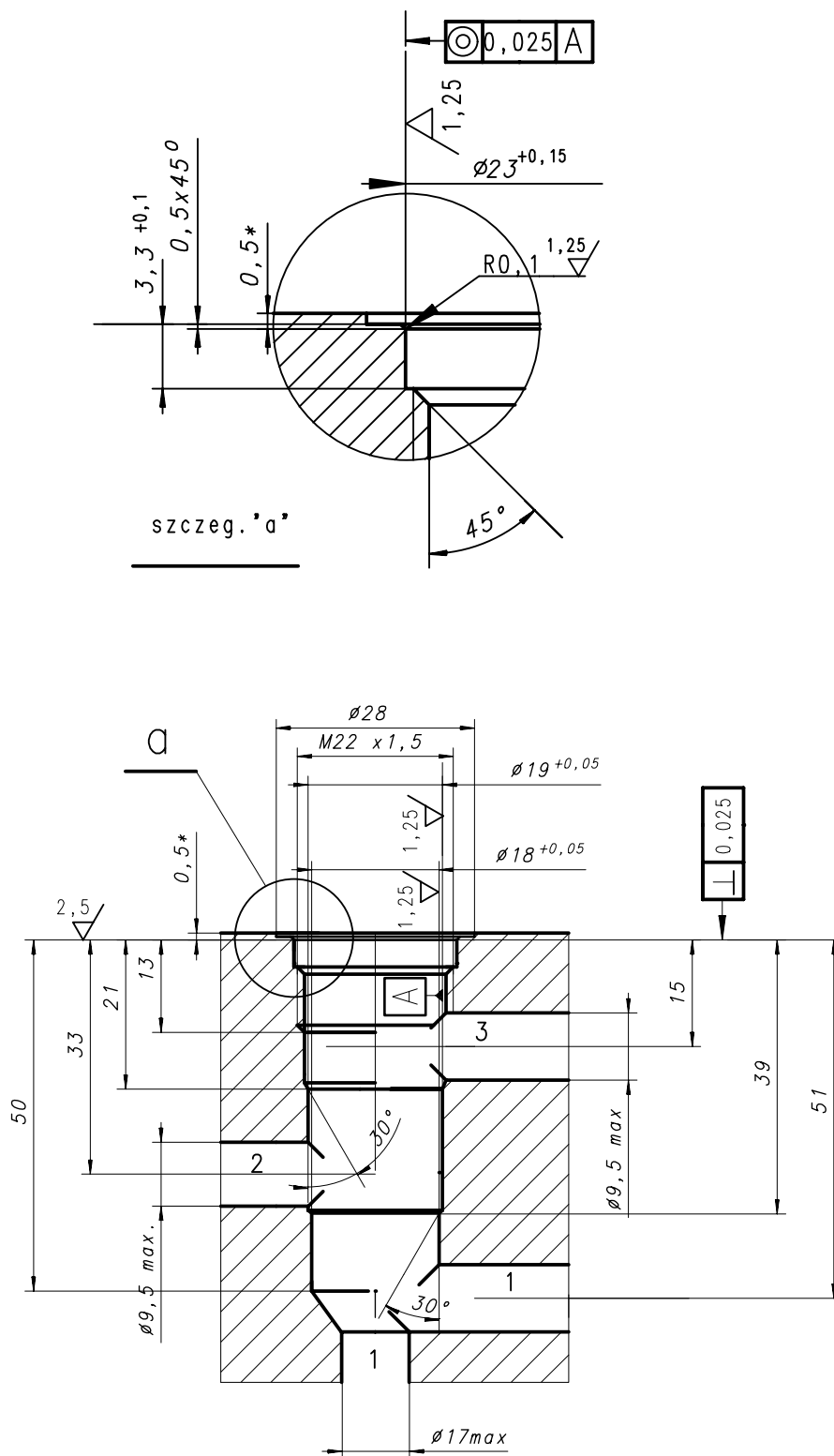


Plate 3 UL 06/5

DIMENSIONS TABLE

Order number	D1	D2	D3	A	B	C	D	E	F	G	H	I	L	Weight	Material
3UL06/5 - G2	G ^{3/8"}	G ^{3/8"}	G ^{3/8"}	30	60	80	50	7,5	45	φ 6,5	16	34	16	0,300 kg	Aluminium
3UL06/5 - G3	G ^{1/2"}	G ^{1/2"}	G ^{1/2"}	35	70	82	50	12,5	45	φ 6,5	16	34	16	0,430 kg	Aluminium

OVERALL AND MOUNTING DIMENSIONS FOR VALVE CAVITY.



PONAR WADOWICE S.A.
 ul. Wojska Polskiego 29
 34-100 Wadowice
 tel. 033/ 823 39 43, 823 30 41
 fax 033/ 873 48 80
 e-mail: ponar@ponar-wadowice.pl

