

APPLICATION

Plates type 2UL06 ... are housings that make assembly of cartridge valves possible.

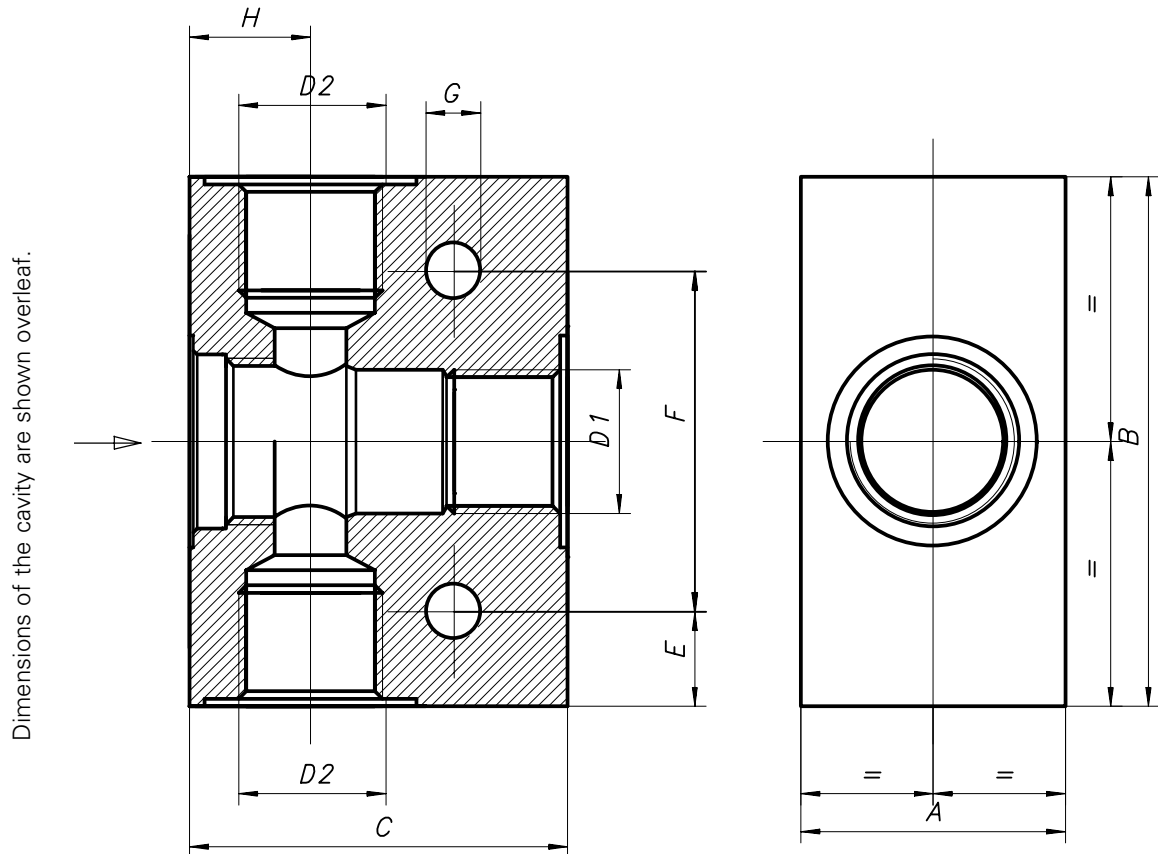
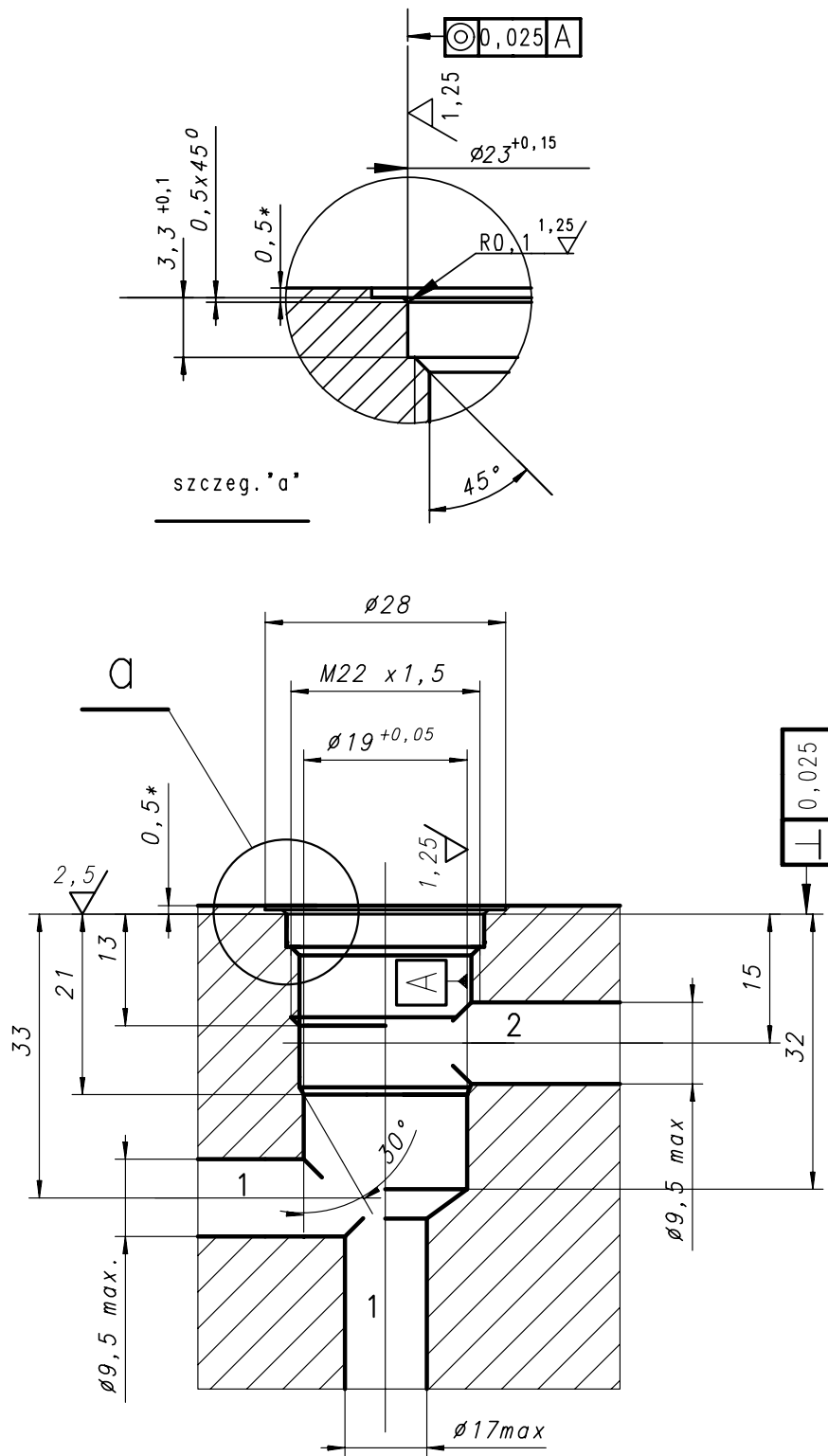


Plate 2 UL 06/2

DIMENSIONS TABLE

Order number	D1	D2	A	B	C	D	E	F	G	H	Weight	Material
2 UL 06/2-G2	G $\frac{3}{8}$ "	G $\frac{3}{8}$ "	30	60	50	35	7,5	45	ϕ 6,5	16	0,185 kg	Aluminium
2 UL 06/2-G3	G $\frac{1}{2}$ "	G $\frac{1}{2}$ "	35	70	50	35	12,5	45	ϕ 6,5	16	0,250 kg	Aluminium

OVERALL AND MOUNTING DIMENSIONS FOR VALVE CAVITY.



PONAR WADOWICE S.A.
 ul. Wojska Polskiego 29
 34-100 Wadowice
 tel. 033/ 823 39 43, 823 30 41
 fax 033/ 873 48 80
 e-mail: ponar@ponar-wadowice.pl

