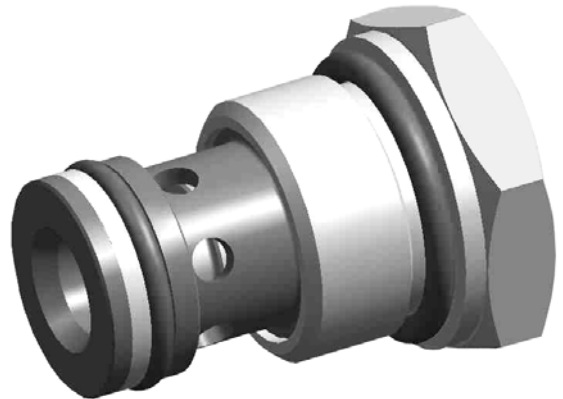


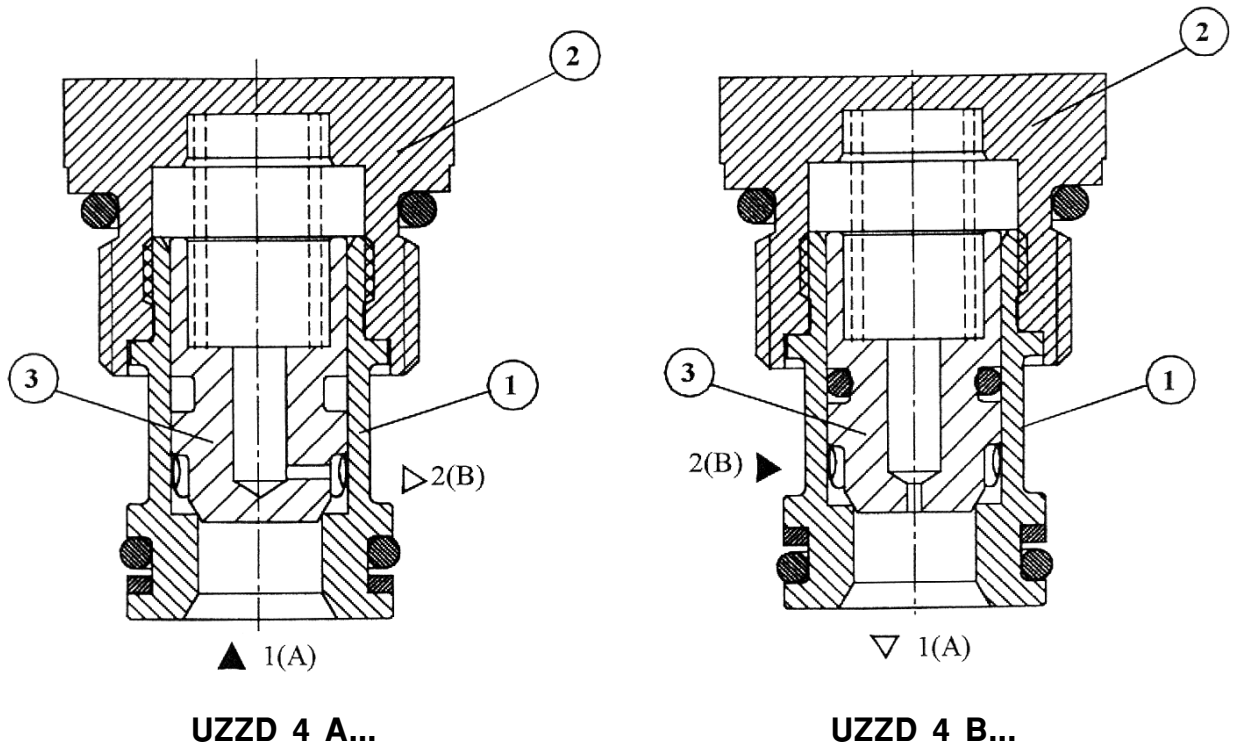
APPLICATION

Non-return cartridge valves are used in hydraulic systems which require non-restricted flow in one direction and automatic stopping of flow in the opposite direction. These valves may be used as low-pressure overflow valves for maintaining defined pressure drop during flow. These valves may be installed in any position.



DESCRIPTION OF OPERATION

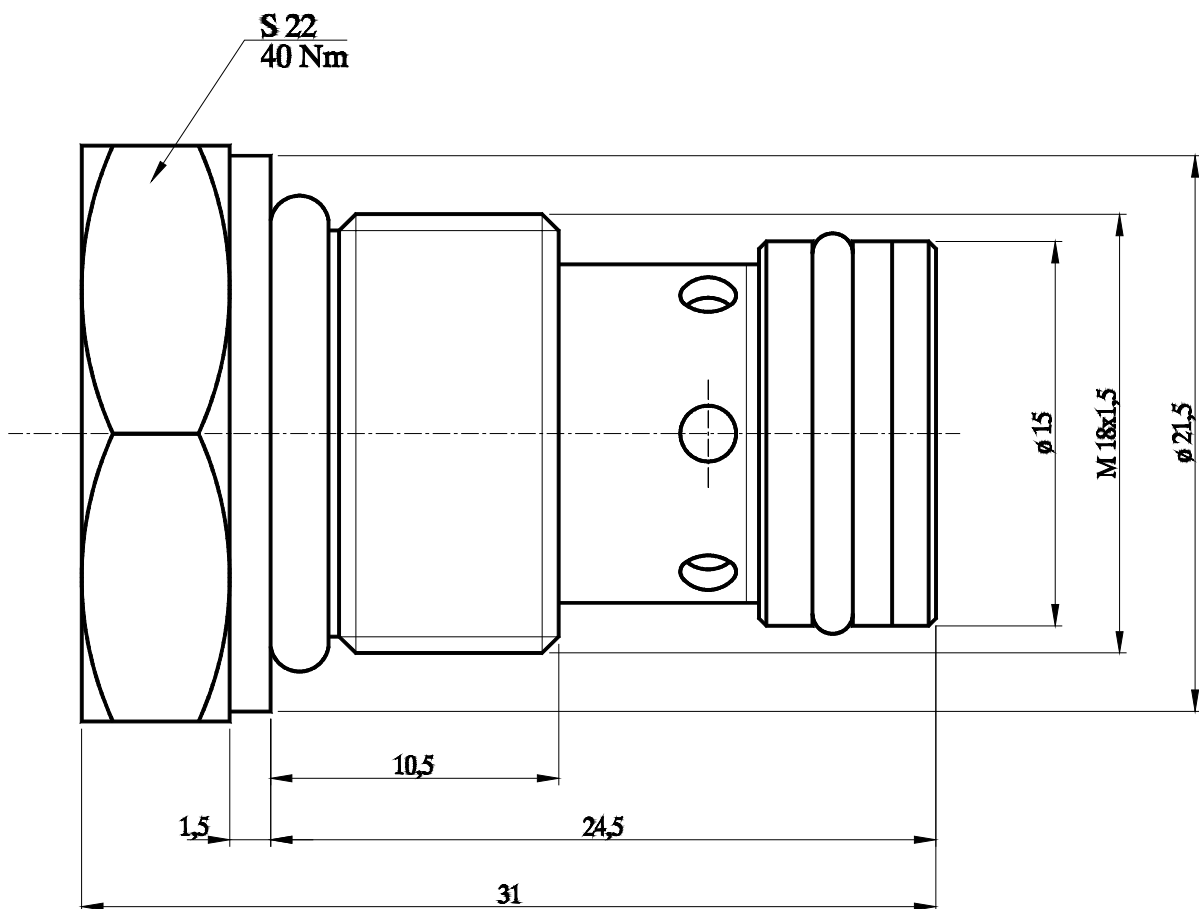
Plug 2 is mounted in sleeve 1, which also forms the seat for spring. The spring pushes cone 3 against the inner edge of sleeve. When the pressure difference at orifice 1 or 2 exceeds the opening pressure determined by the spring, the cone is moved along the cylindrical surface of the sleeve and flow is enabled from orifice 1 to 2 (ver. "A") or 2 to 1 (ver. "B").



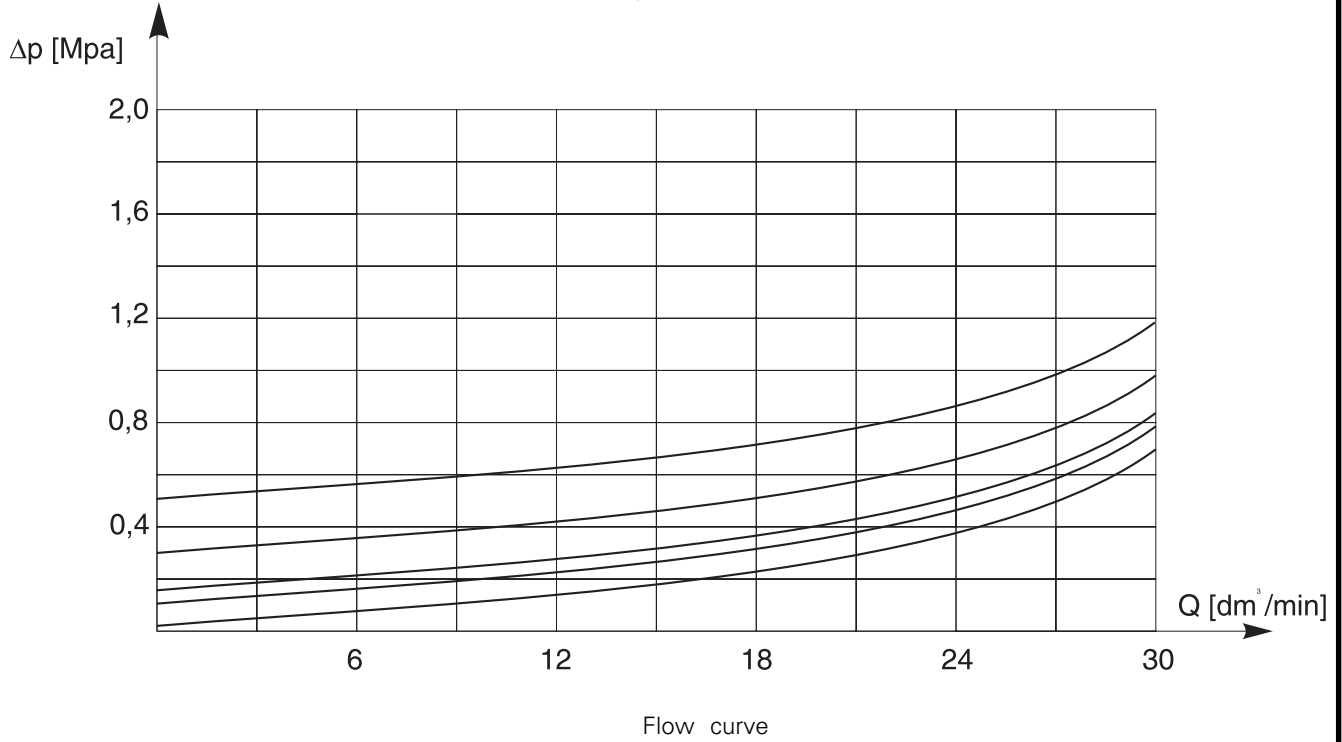
TECHNICAL DATE

Working fluid	Mineral oil
Nominal fluid viscosity	37 mm ² /s at temperature 328 K
Viscosity range	2,8 up to 380 mm ² /s
Optimum working temperature range	313 up to 328 K (40 up to 55 °C)
Fluid temperature range	243 up to 343 K (-30 up to 70 °C)
Required fluid filtration	16 µm
Recommended fluid filtration	10 µm
Max fluid pressure	29 MPa
Cracking pressure	0,03 – 0,5 MPa
Weight	0,06 kg

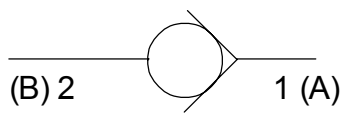
OVERALL AND CONNECTION DIMENSIONS



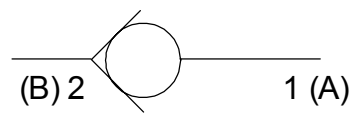
Performance curves at $n=41\text{mm}^2/\text{s}$ and temperature 323 K



SYMBOL



UZZD 4A ...



UZZD 4B ...

HOW TO ORDER

Orders coded in the way showed below should be forwarded to the manufacturer

UZZD 4									*
---------------	--	--	--	--	--	--	--	--	---

Check valve	
--------------------	--

Direction of flow	
Flow from 1 to 2	= A
Flow from 2 to 1	= B

Series number	
12	= 12

Cracking pressure	
0,03 MPa	= 03
0,1 MPa (only for valve A)	= 10
0,15 MPa (only for valve A)	= 15
0,3 MPa	= 30
0,5 MPa	= 50

Kind of cavity	
Cavity M18x1,5	= M1

Sealing	
for fluids on mineral oil base	= no designation
for fluid on phosphate ester base	= V

Further requirements to be added in text (to agree with the manufacturer)
--

CODING EXAMPLE:
UZZD 4 A-12/30 M1 V

PONAR WADOWICE S.A.
ul. Wojska Polskiego 29
34-100 Wadowice
tel. 033/ 823 39 43, 823 30 41
fax 033/ 873 48 80
e-mail: ponar@ponar-wadowice.pl

