

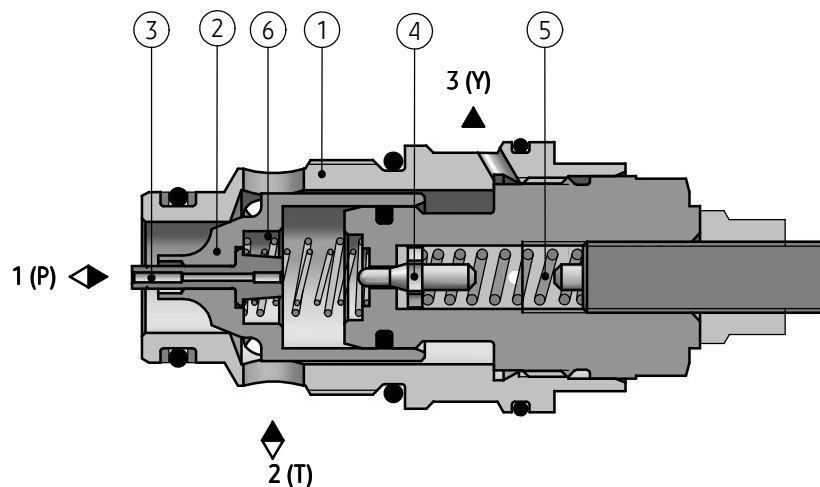
APPLICATION

Pressure relief valves UZPS 22... serve to limit and maintain a pressure in a hydraulic system. Valve is mounted by screwing into thread connection. Flow from port T to port P is possible and the valve works as shut off valve



DESCRIPTION OF OPERATION

UZPS 22-12/400-Y-M1



Pilot operated pressure relief valve UZPS22... consists of a pilot valve and main valve. Flow from port T to port P is possible and the valve works as shut off valve. Regulated pressure of the system affects the lower surface of the main spool (2) at the same time via jet (3) affects the upper surface of the main spool (2). Pressure affects as well the pilot poppet (4). When the pressure of

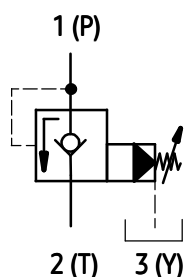
spring (5) is exceeded, the poppet (4) is lifted and then fluid flows to port T. Opening of main valve and flow from port P to port T is possible when flow through the jet (3) results in pressure decrease over the upper spool (2) surface. Flow from port T to port P is possible. The pressure affects the surface of poppet (2) from port side and lifts it and opens the connections from ports T to P.

TECHNICAL DATA

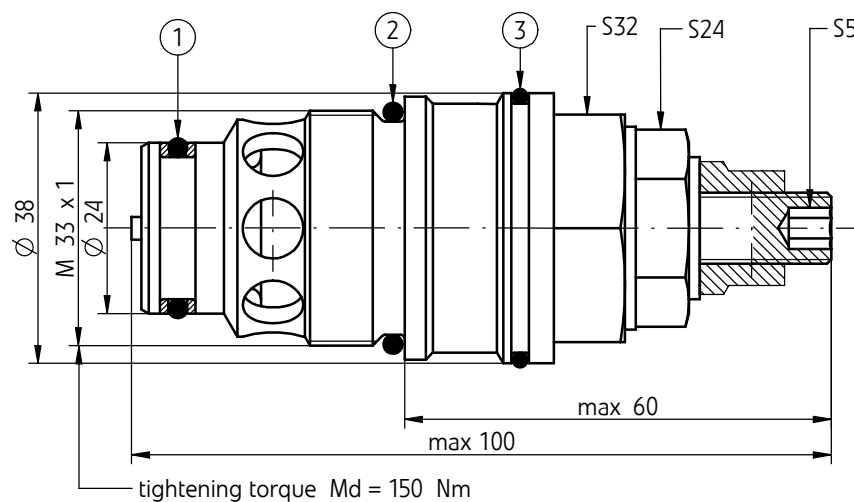
Hydraulic fluid	Mineral oil
Nominal fluid viscosity	37 mm ² /s temperature 55 C
Viscosity range	2,8 up to 328 mm ² /s
Optimum working temperature (fluid in a tank)	40 do 55 C
Working temperature range	- 20 do 70 C
Required fluid filtration	16 μm
Recommended fluid filtration	10 μm
Maximum set pressure	40 MPa
Maximum flow rate	400 dm³/min
Weight	0,4 kg

SYMBOL

Graphic symbol of valve type UZPS 22...



OVERALL AND CONNECTION DIMENSIONS

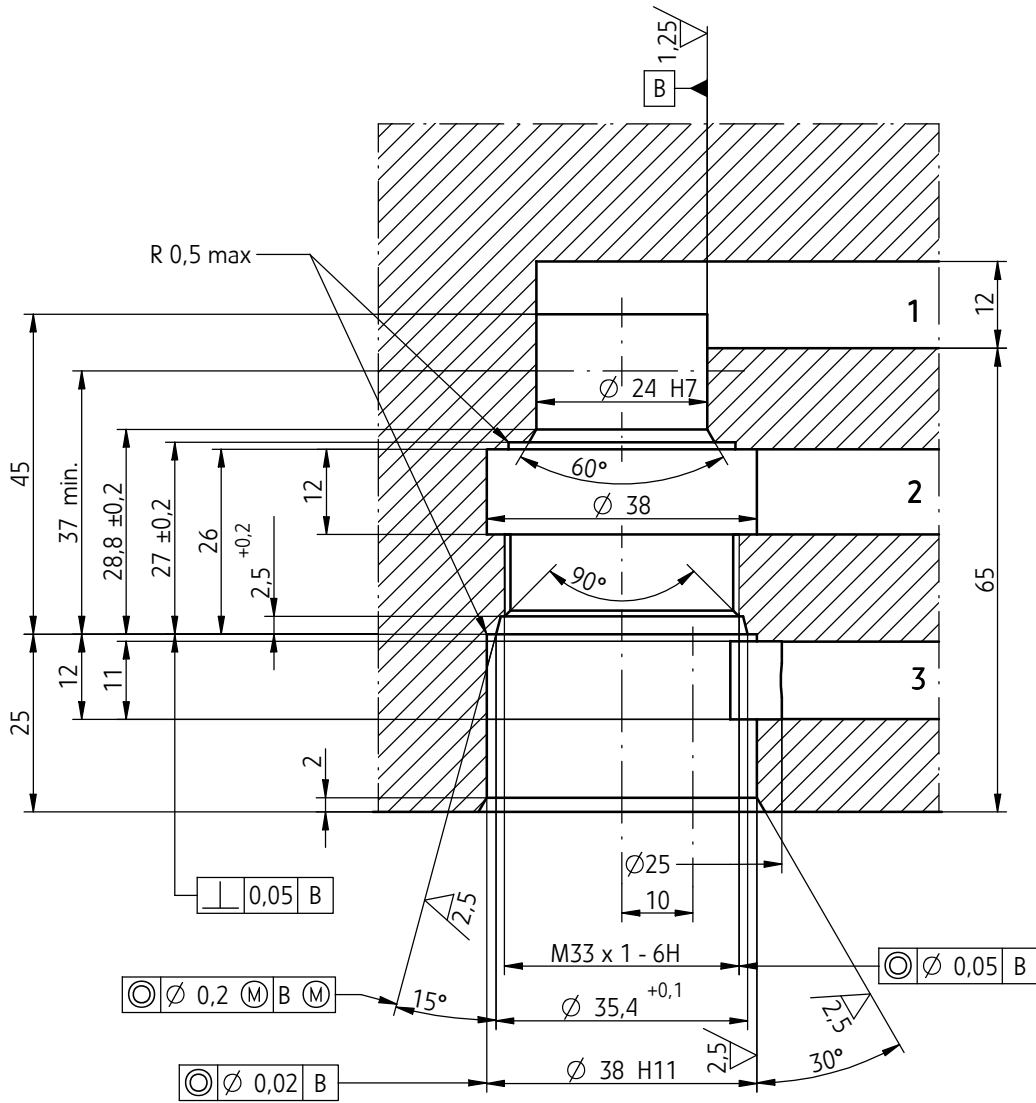


DESCRIPTION

1 - sealing ring 18,72 x 2,62
2 - sealing ring 28,24 x 2,62
3 - sealing ring 35 x 2

DIMENSION OF CAVITY

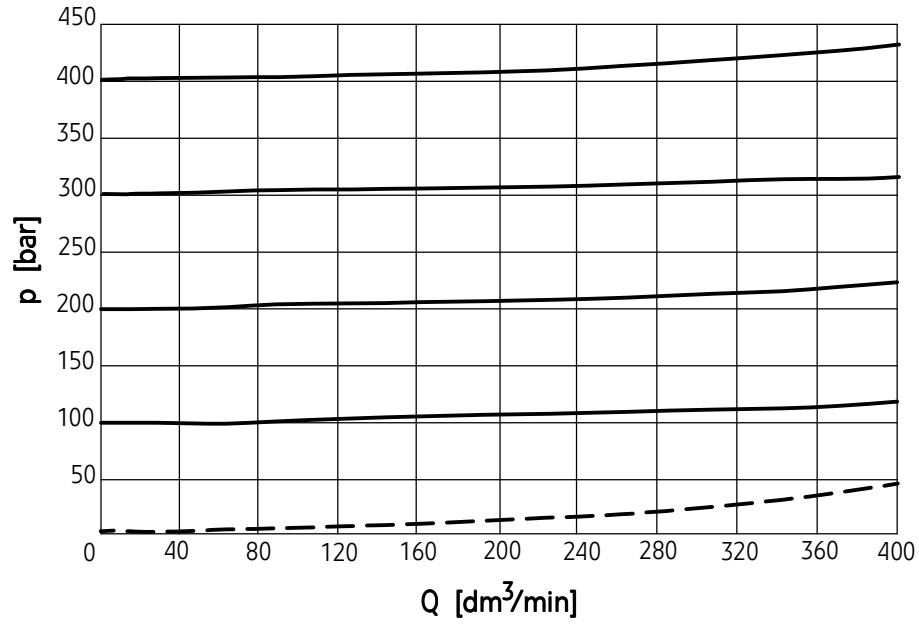
Tightening torque $M_d = 150 \text{ Nm}$



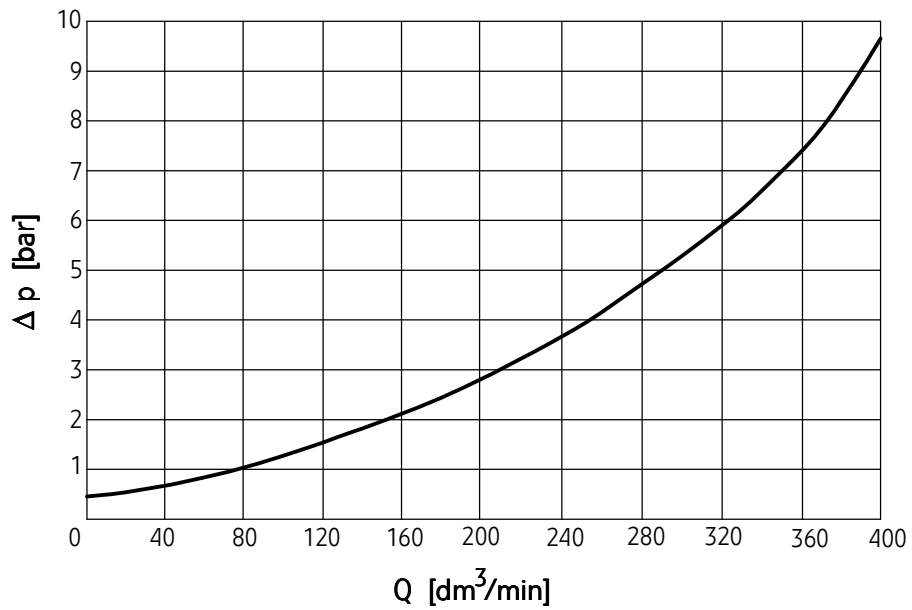
PERFORMANCE CURVES

(at $v = 41 \text{ mm}^2/\text{s}$ and temperature $t = 50 \text{ C}$)

Working pressure in relation to flow



Flow resistance curve



HOW TO ORDER

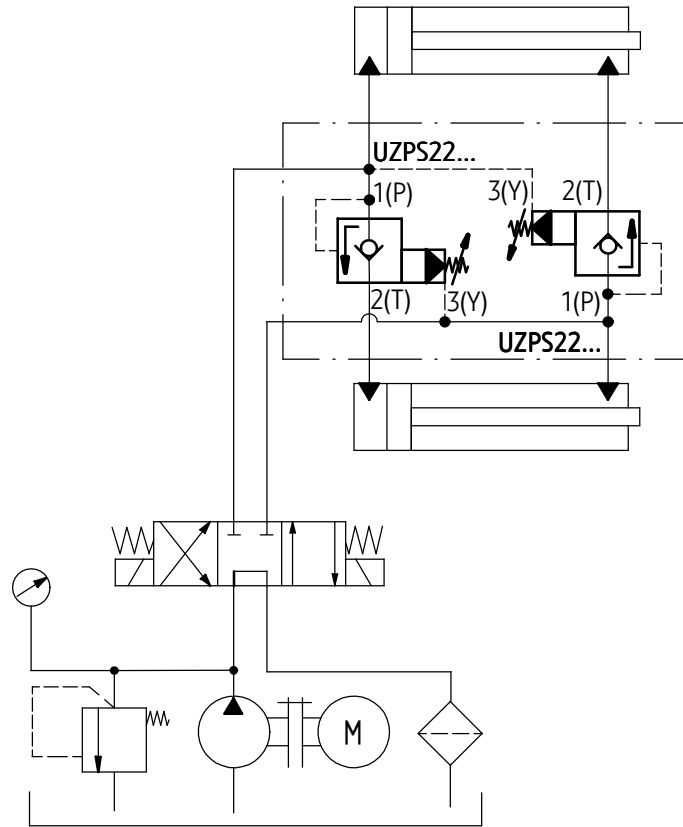
UZPS	22	12	/400	Y	M1		★
-------------	-----------	-----------	-------------	----------	-----------	--	----------

Nominal size (NS) NS22	= 22						
Series number (10-19) - unchanged	= 1X = 12						
Working temperature range up to 40 MPa	= 400						
Pilot fluid supply and drain external drain	= Y						
Connection type seat M33 x 1	= M1						
Sealing fluids on mineral oil base fluids on phosphate-ester base	= no code = V						
Further requirements in clear text (to be agreed with the manufacturer)							

Note:

Orders coded in the way showed above should be forwarded to the manufacture.
Shorter terms of delivery for valves with parameters in bold are possible.

**EXAMPLE OF APPLICATION
IN HYDRAULIC SYSTEM**



PONAR WADOWICE S.A.
ul. Wojska Polskiego 29
34-100 Wadowice
tel. 033/823 39 43, 823 30 41
fax 033/ 873 48 80
e-mail: ponar@ponar-wadowice.pl

