

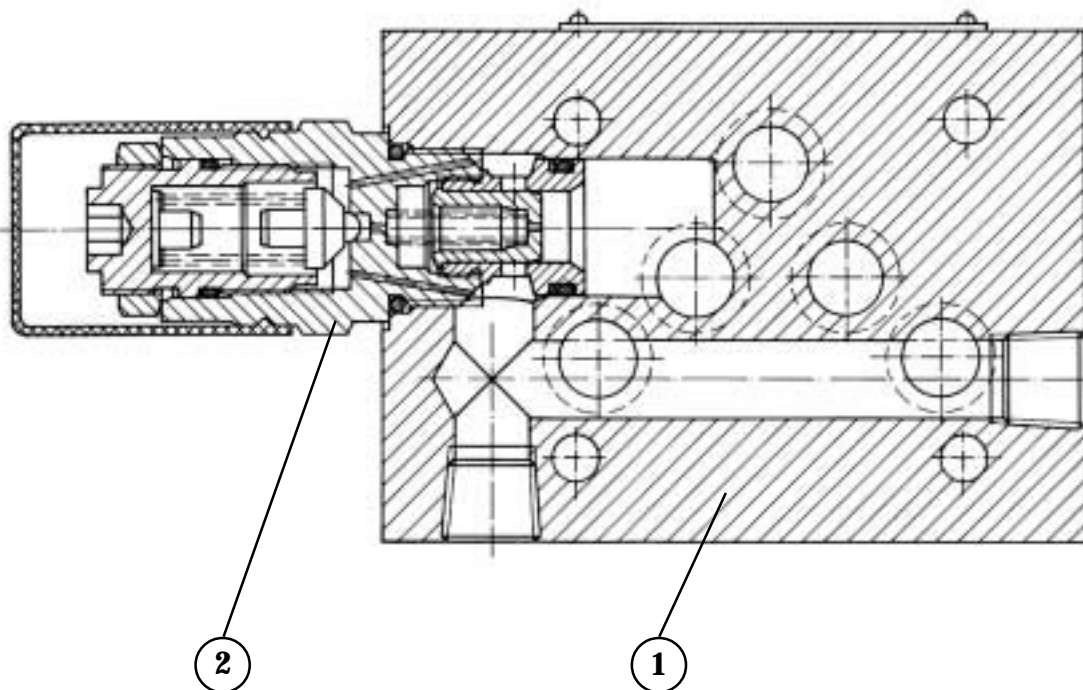
APPLICATION

Pressure relief valves type UZPR10 serve to limit pressure in a hydraulic system.



DESCRIPTION OF OPERATION

Pressure relief valve sandwich plate type UZPR10 consists of a main body 1 and screwed-in relief cartridge valve pilot operated 2 type UZPS6. Proper drilling of the body allows connections as per hydraulic diagram for the version. When the pressure in the system exceeds the setting of the valve 2, it opens, causing relief flow to a tank.

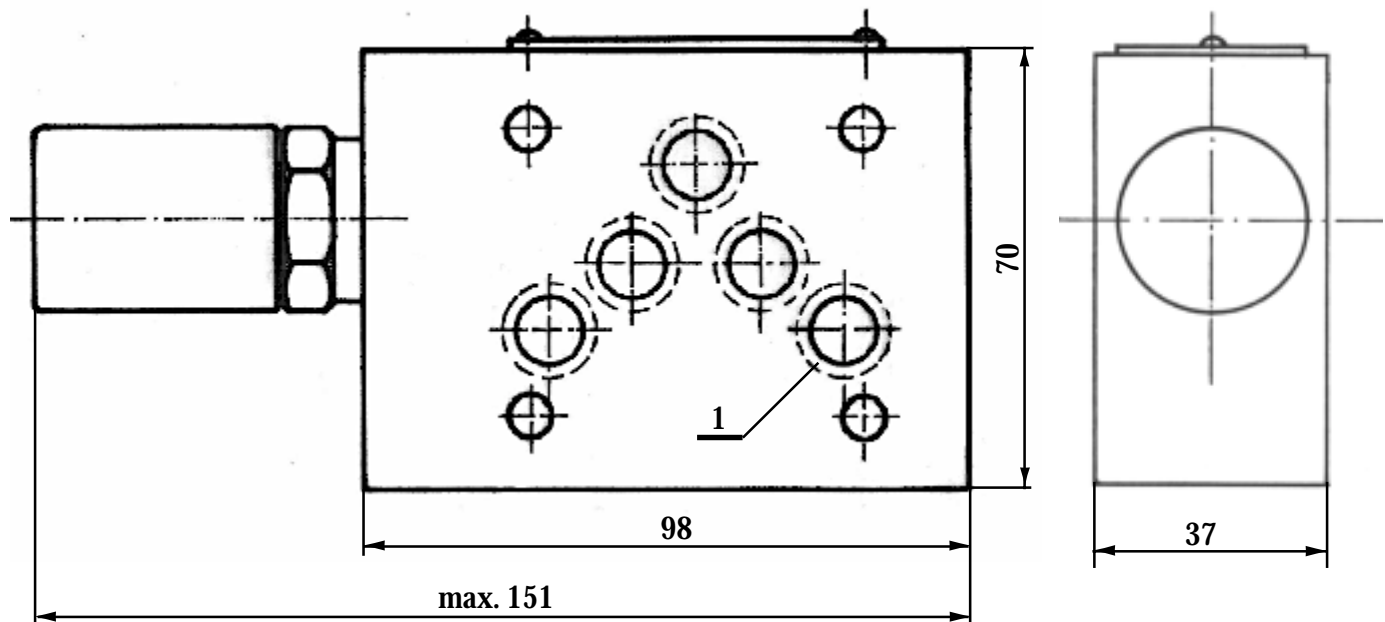


TECHNICAL DATA

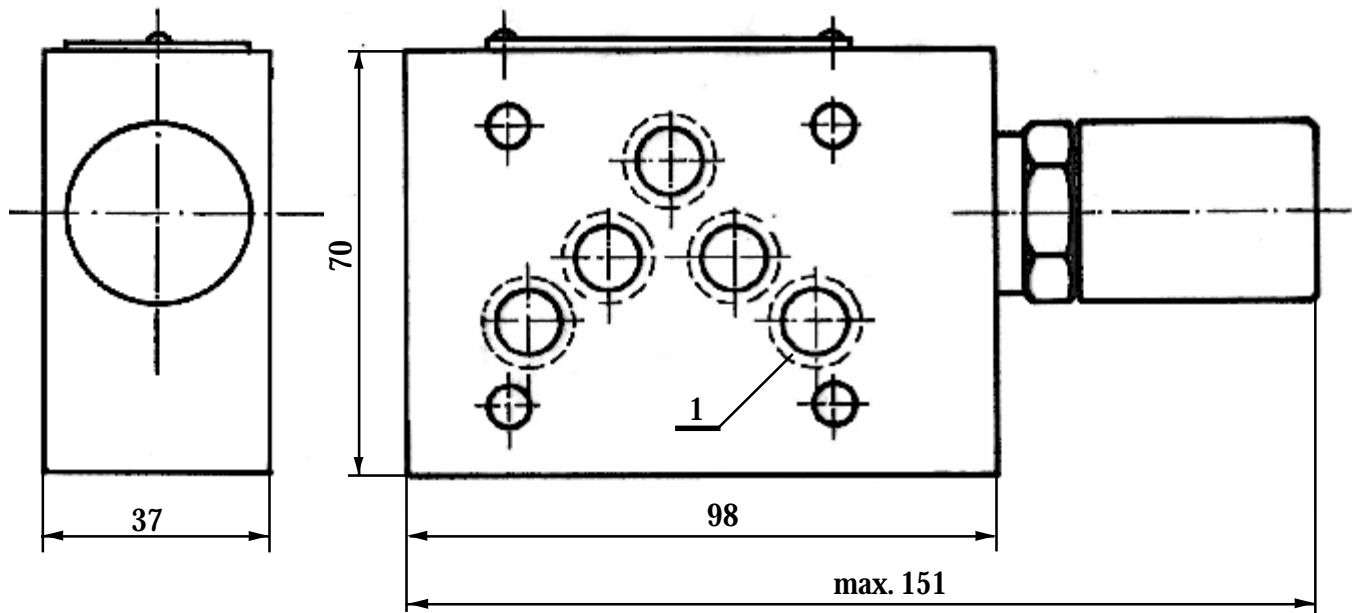
Working fluid	Mineral oil
Nominal fluid viscosity	37 mm ² /s at a temp. 328 K (55 °C)
Viscosity range	2,8 do 380 mm ² /s
Optimum working temperature range	313 do 328 K (44 to 55 °C)
Temperature range	243 do 343 K (-30 to 70 °C)
Pressure range	5 MPa ; 10 MPa ; 20 MPa ; 30 MPa
Max adjusted pressure	30 MPa
Required fluid filtration	16 μm
Recommened fluid filtration	10 μm
Max. flow rate	100 dm ³ /min.
Weight (related to version)	~1,6 kg – dla odmian AT, PT, BT
	~2 kg - dla odmian ATBT, ABBA
Valve UZPS6	wg WK 492 860

OVERALL DIMENSIONS

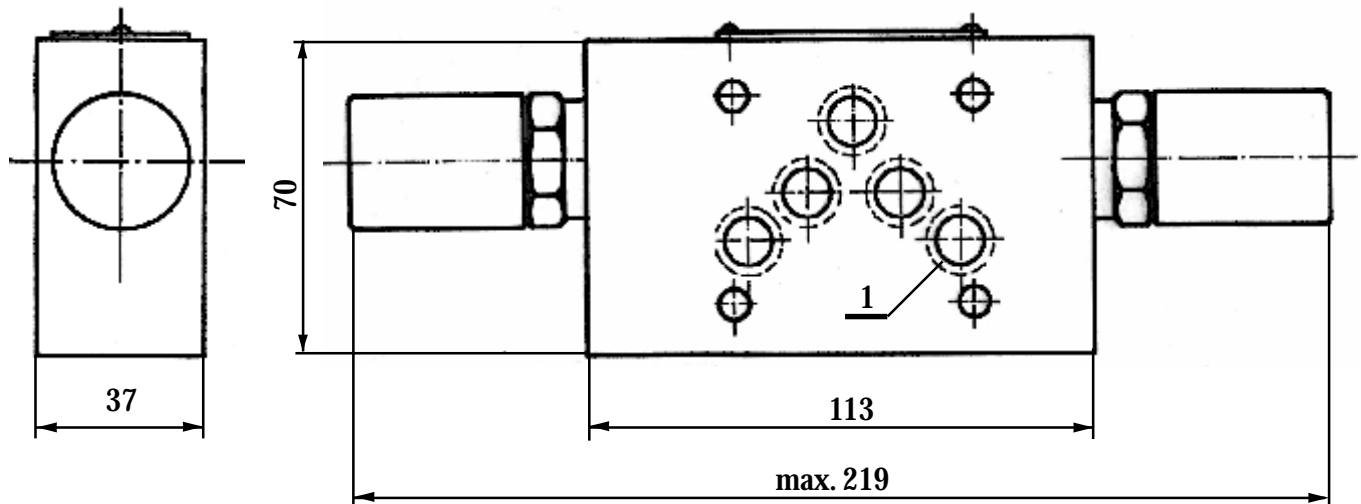
Version AT



Version PT ; BT

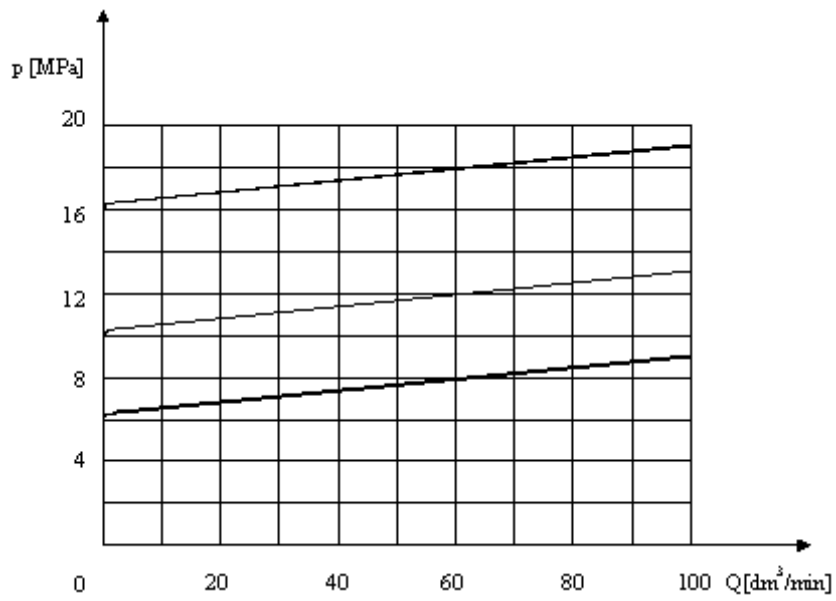


Version ATBT ; ABBA

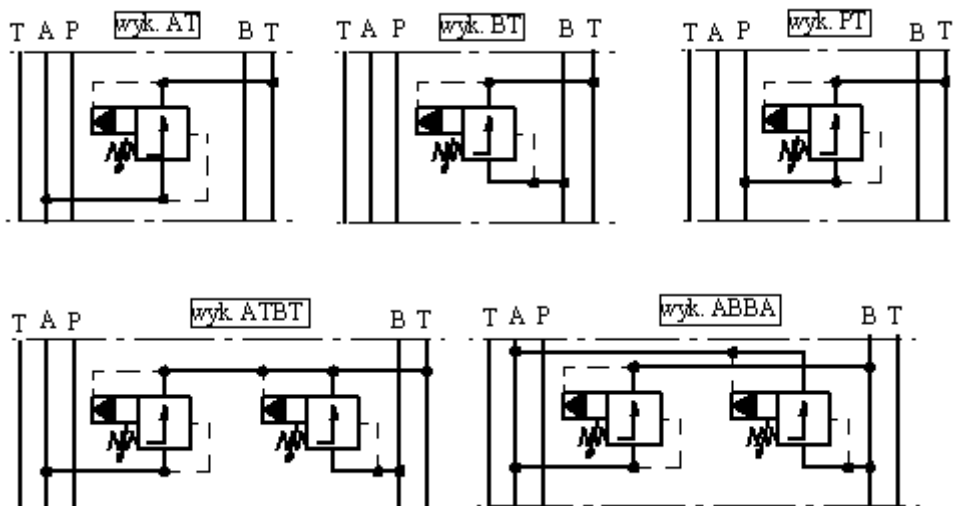


1. Sealing ringy "O- ring" 12 x 2 - szt. 5

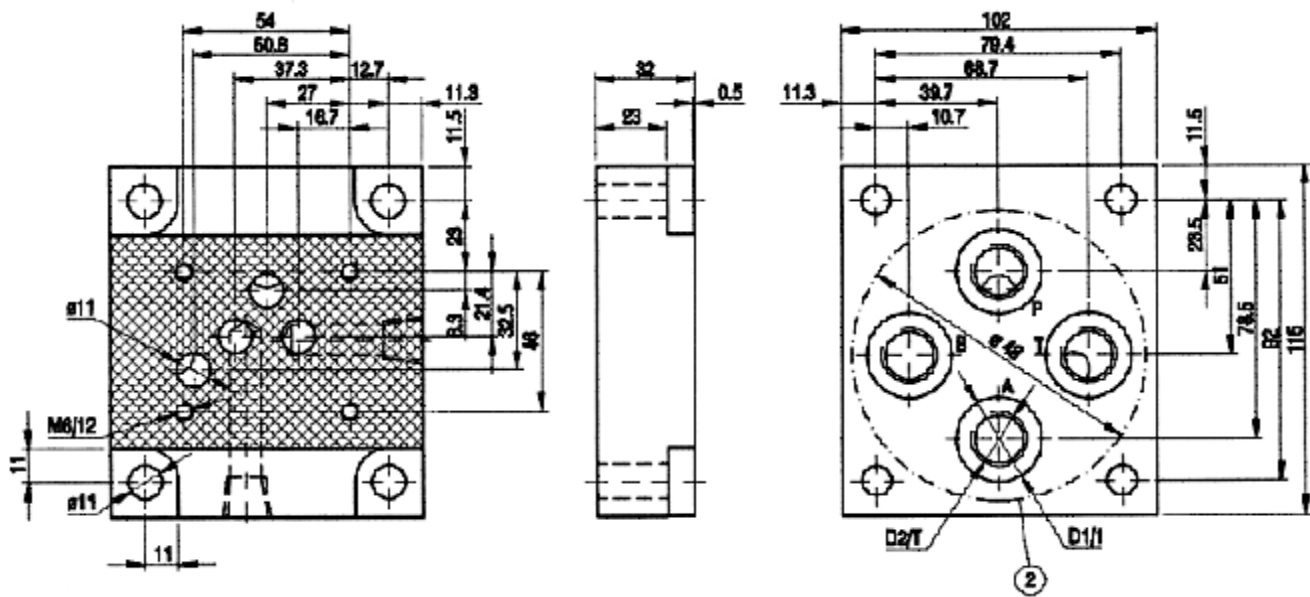
Performance Curves at $v = 41 \text{ mm}^2/\text{s}$ and a temp. 323 K (working pressure in relation to flow rate)



SYMBOLS



CONNECTION DIMENSIONS FOR SUBPLATE



Type	D1	D2	T	Weight	Mounting bolts	Md
G 89/ 01	25	G1/4	12	2,3 kg	M6 x L – 10.9 PN-87/M-82302 (DIN 912) – 4 szt. L – relative to stock high	15 Nm
G 66/ 01	28	G3/8	12			
G 67/ 01	34	G1/2	14			
G 67/ 02	36	M 22 x 1,5	17			

Caution: subplate and bolts have to be ordered separately.

PONAR WADOWICE S.A.
ul. Wojska Polskiego 29
34-100 Wadowice
tel. 033/ 823 39 43, 823 30 41
fax 033/ 873 48 80
e-mail: ponar@ponar-wadowice.pl

PONAR[®]
wadowice