

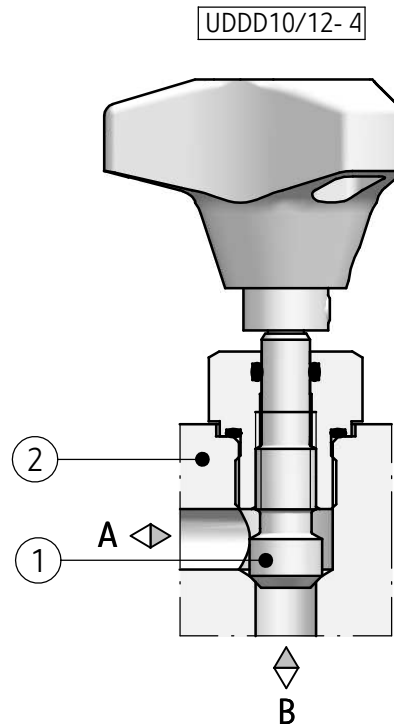
APPLICATION

Cartridge throttle valves type **UDDD10...** are designed to control (throttle) fluid flow which depends on pressure difference and on fluid viscosity at throttling point. They can be used in hydraulic systems with constant operating resistance or where change in flow speed is of no importance when the load is changed.



DESCRIPTION OF OPERATION

Fluid flow from port **A** to **B** (or reversely) is throttled in the opening between the adjustment poppet (1) and seat edge in the housing (2). Throttling depends on the adjustment of the opening.

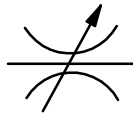


TECHNICAL DATA

| | | |
|-------------------------------------|--|---------------------|
| Hydraulic fluid | mineral oil | |
| Nominal fluid viscosity | 37 mm ² /s at temperature 55 °C | |
| Viscosity range | 2,8 up to 380 mm ² /s | |
| Fluid temperature range (in a tank) | recommended | 40 °C up to 55 °C |
| | max | -20 °C up to +70 °C |
| Ambient temperature range | - 20 °C up to +70 °C | |
| Maximum operating pressure | 30 MPa | |
| Weight | 0,2 kg | |

SCHEMES

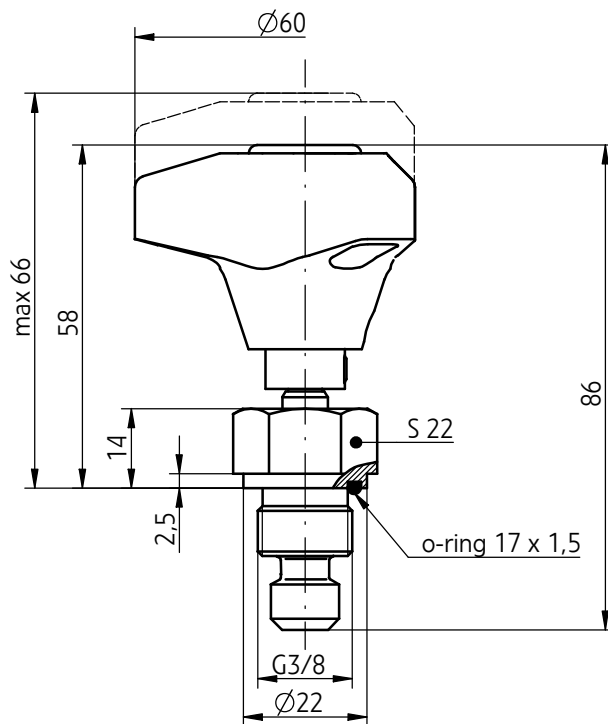
Graphic symbol of the valve type UDDD10



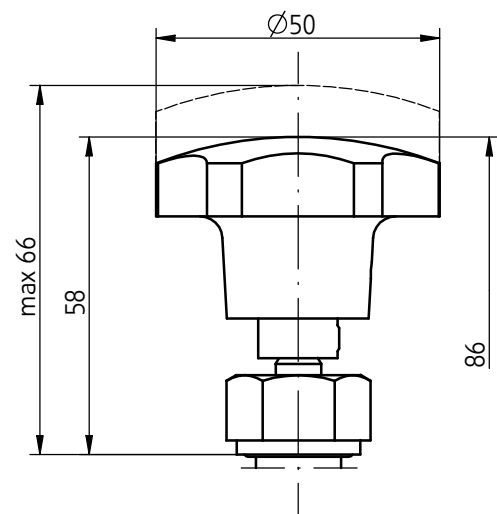
OVERALL AND CONNECTION DIMENSIONS

valve type UDDD10...

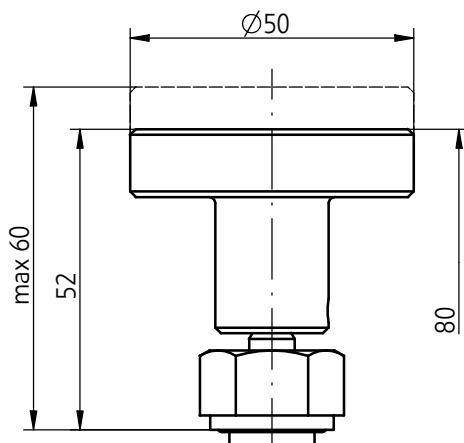
version UDDD10/...1...



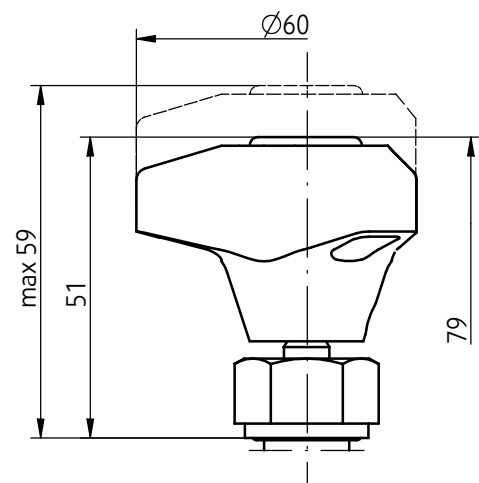
version UDDD10/...2...



version UDDD10/...3...

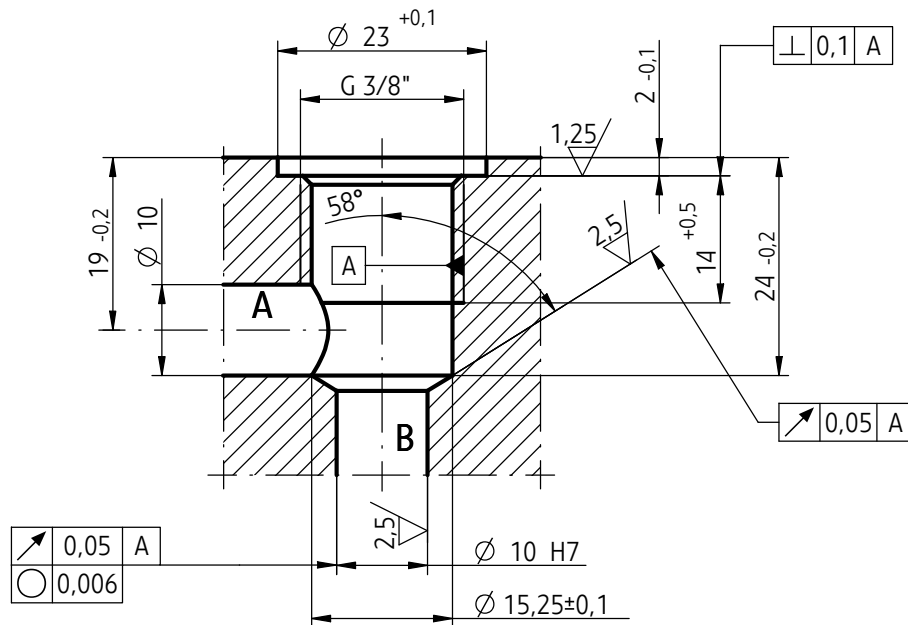


version UDDD10/...4...



OVERALL AND CONNECTION DIMENSIONS

Dimension of cavity



HOW TO ORDER

UDDD 10 / + *

Nominal size (NS)

NS10

= 10

Series number

(10-19) - connection and installation dimensions unchanged = 1X

series 12

= 12

Adjustment method

without hand knob

= no designation

three-arm hand knob

= 1

six-arm hand knob

= 2

round hand knob

= 3

three-arm hand knob with fusion

= 4

Version in stainless steel

(applied to version 4 only)

= S

Further requirements in clear text (to be agreed with the manufacturer)

NOTES:

The valve should be ordered according to the above coding.

The symbols in bold are preferred versions in short delivery time.

Coding example: UDDD10/12 - 4

PONAR Wadowice S.A.
ul. Wojska Polskiego 29
34-100 Wadowice
tel. +48 33 488 29 00
fax. +48 33 488 21 03
www.ponar-wadowice.pl

