

VALVOLA TERMOSTATICA AVTA AVTA THERMOSTATIC VALVE

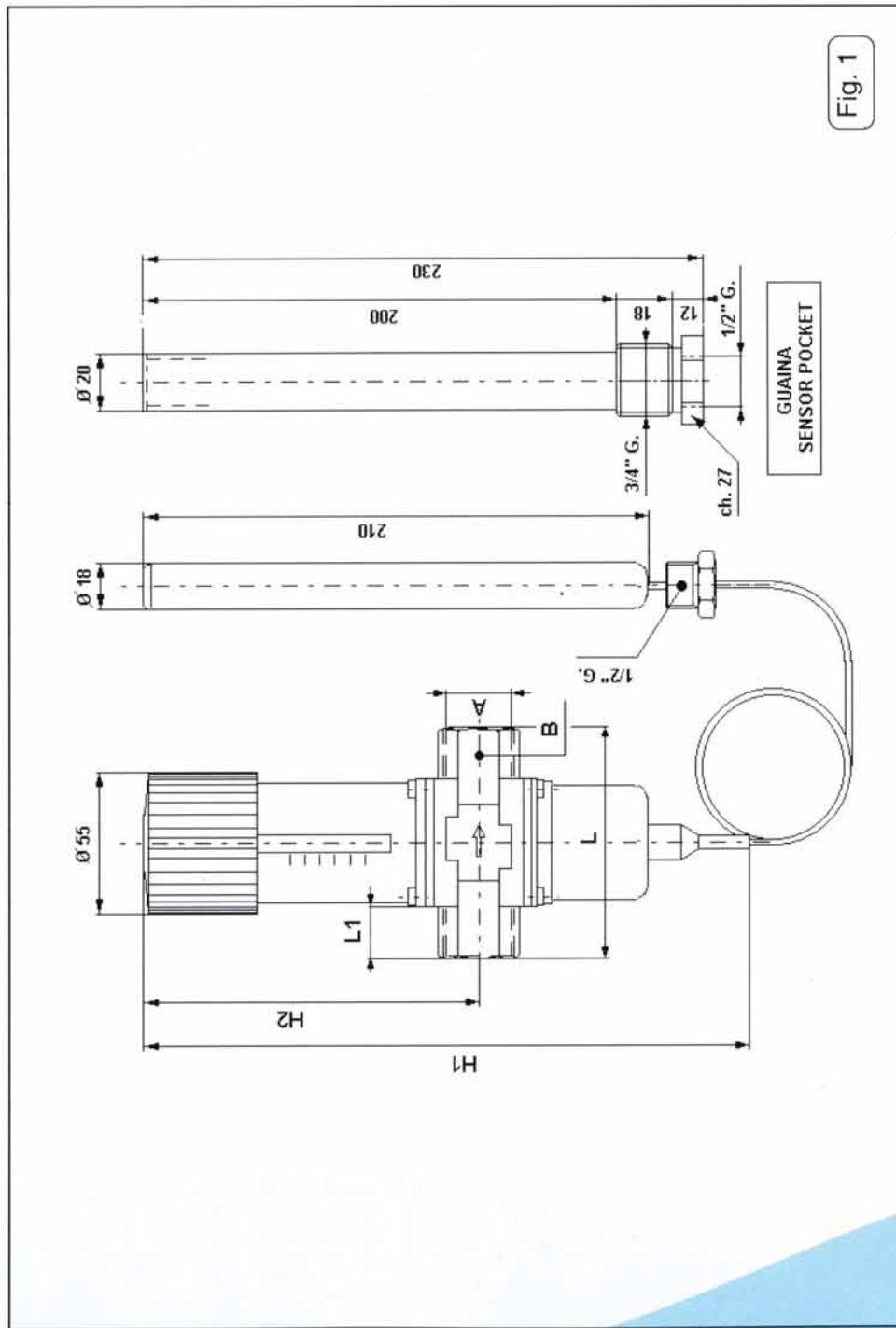


Fig. 1

| TIPO/TYPE | CODICE/CODE | H1 | H2 | L | L1 | A | B | Kg |
|-----------|-------------|-----|-----|----|----|--------|-------|------|
| AVTA 10 | 0316190 | 240 | 133 | 72 | 14 | 3/8" G | NV 27 | 1,45 |
| AVTA 15 | 0316220 | 240 | 133 | 72 | 14 | 1/2" G | NV 27 | 1,45 |
| AVTA 20 | 0315730 | 240 | 133 | 90 | 16 | 3/4" G | NV 32 | 1,50 |
| AVTA 25 | 0316230 | 250 | 138 | 95 | 19 | 1" G | NV 41 | 1,65 |

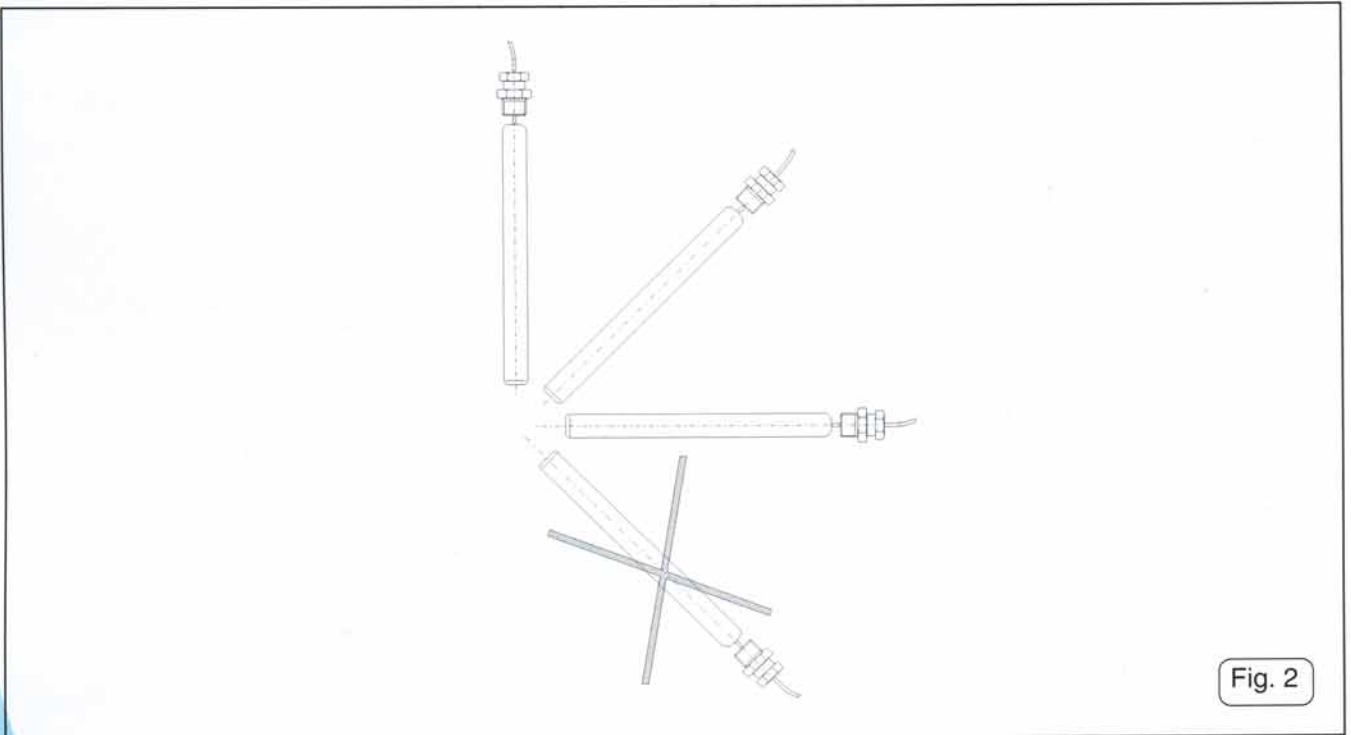


Fig. 2

| Tipo Type | Lunghezza tubo capillare (m) Capillary tube length (m) | Gamma di regolazione (°C) Regulation range (°C) | Massima temp. del sensore (°C) Max. sensor temperature (°C) |
|----------------|---|--|--|
| AVTA 10 | 2 | 25 → 65 | 90 |
| AVTA 15 | 2 | 25 → 65 | 90 |
| AVTA 20 | 2 | 25 → 65 | 90 |
| AVTA 25 | 2 | 25 → 65 | 90 |

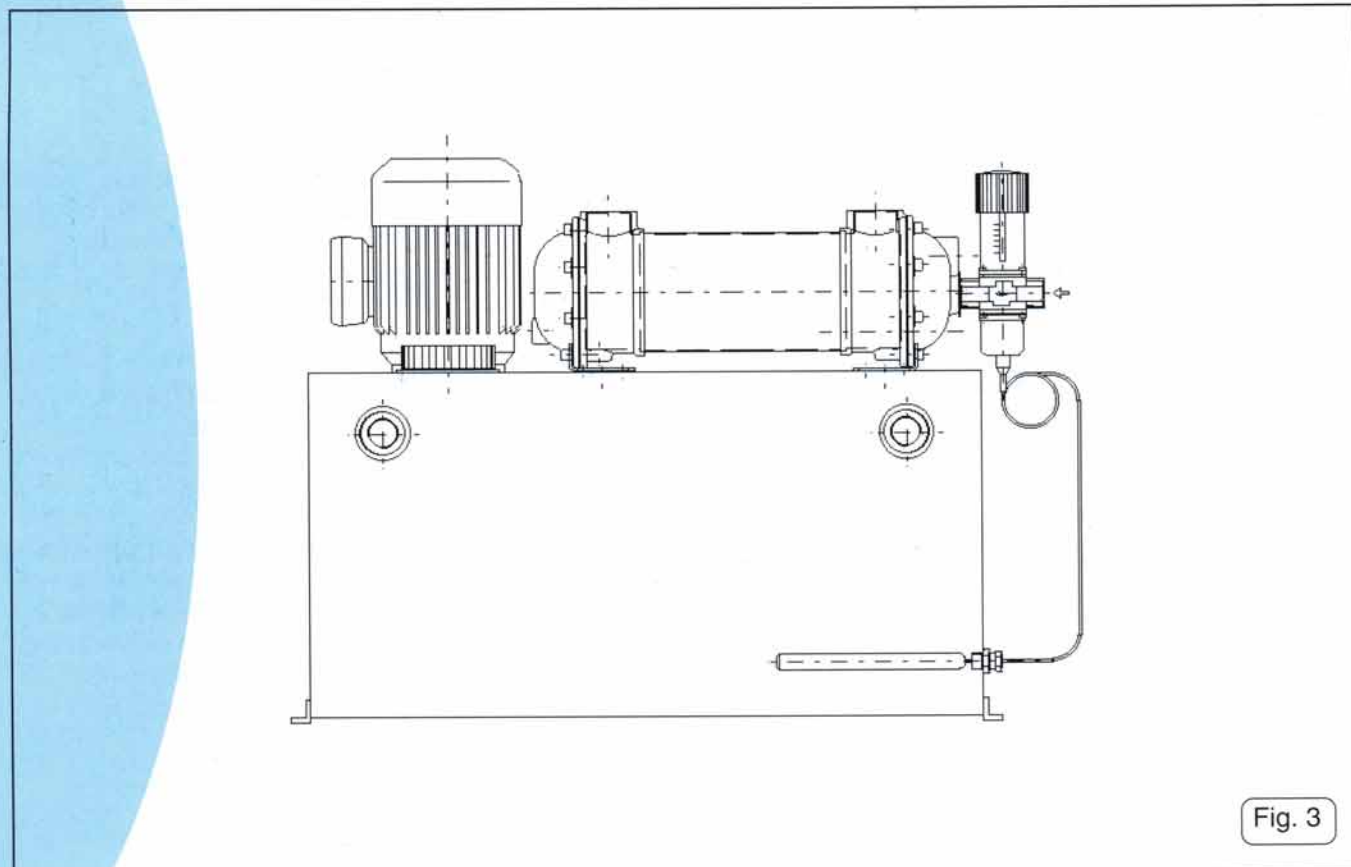


Fig. 3