

# Load holding - lowering valve

## Type SBV700

up to 700 bar

NG 6 up to 25 l/min

### Features

- Pilot pressure adjustable up to max. 350 bar
- Low tendency for vibration due to function independent from load



### Design

- Seated valves in sandwich plate design
- Directly operated valves

### Applications

For load holding and controlled lowering of loads with double acting cylinders. Protection against uncontrolled and improper movement in direction of load.

### Technical data

Hydraulic fluid	mineral oil according to DIN 51524 (other fluids on request)	
Fluid temperature range	-20 to 80 °C	
Ambient temperature range	-30 to 50 °C	
Viscosity range	5 to 400 mm <sup>2</sup> /s	
Porting	NG 6 according to DIN 24340 / ISO 4401 / CETOP RP 121 H	
Max. operating pressure port P, A, B	700 bar	
Max. operating pressure port T	350 bar	
Max. flow rate	25 l/min	
Pilot pressure adjustable	50 bar up to 350 bar	
Filtration (recommendation)	According to NAS 1638, class 6 resp. class 17/15/12 ISO/DIN 4406	
Weight	2,3 kg	
Materials	housing:	steel, galvanized, chromated
	cartridge:	steel corrosion resistant
	adjusting knob:	plastic

## Type SBV700

to 700 bar  
NG 6 up to 25 l/min

## Ordering code

### Example

<b>SBV</b>		<b>700</b>	-	<b>6</b>	-	<b>A</b>	-	<b>V</b>	-	<b>A</b>		<b>00</b>
<b>Load holding - lowering valve</b>												
<b>Type</b>	BV700											
<b>Nominal Size</b>	6											
<b>Design</b>												
<b>A</b>	CETOP connection, port A closed, operated by B											
<b>B</b>	CETOP connection, port B closed, operated by A											
<b>L</b>	for in-line mounting											
<b>F</b>	cylinder mounting											
<b>Seal material</b>	V (FPM) other seals on request											
<b>Special design</b> 01 ... 99 (00 for standard)												
<b>Part index</b> Please leave blank (small letters a-d; different letters do not effect interchangeability)												
<b>Desing revision</b> Capital letters A-Z; identical letters equal same connecting dimensions												

## Accessories

For each valve the following is included:  
4 pieces O-rings 9,25 x 1,78 mm, 90° ShA  
1 Adjusting knob mounted  
1 Cap in addition

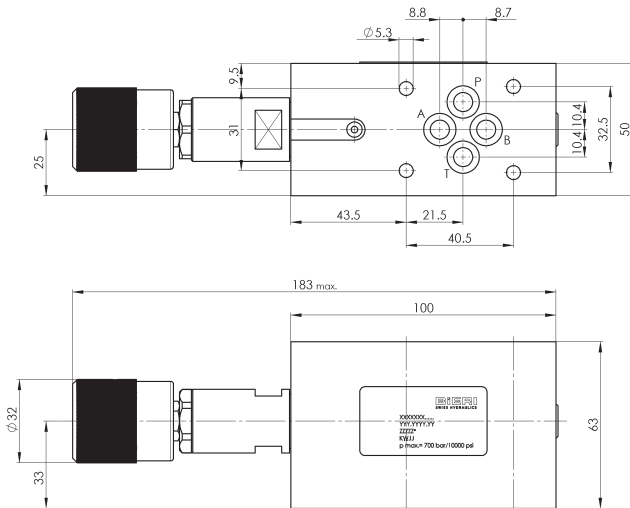
Tie bolts / fixing screws and subplates see  
Technical data sheet AP / RP

## Product information

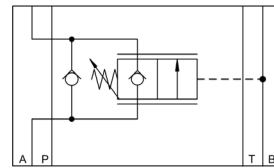
### CETOP connection, A closed

Type	Part number
SBV700-6-A-350-V-A*00	3686771

#### Dimensional drawing



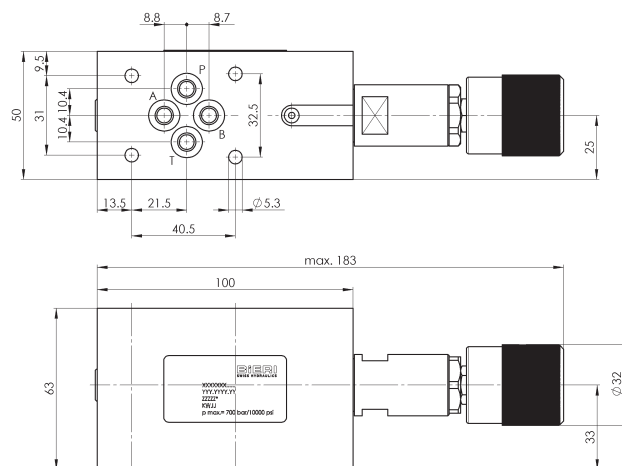
#### Symbol



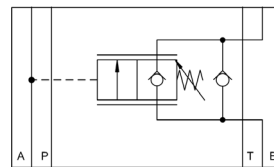
### CETOP connection, B

Type	Part number
SBV700-6-B-350-V-A*00	3687582

#### Dimensional drawing



#### Symbol



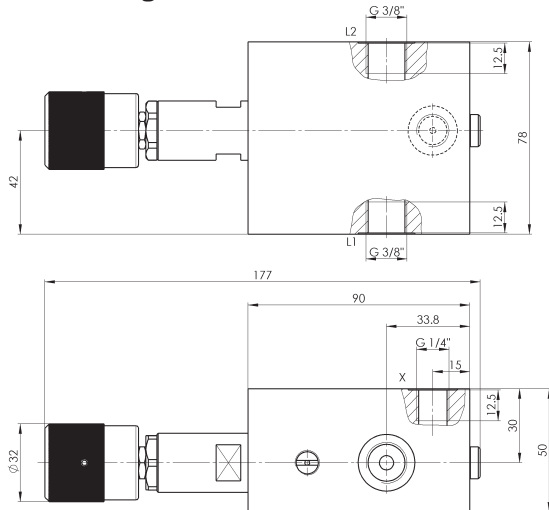
## Type SBV700

to 700 bar  
NG 6 up to 25 l/min

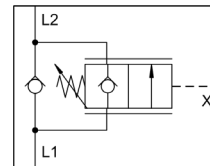
### In-line mounting

Type	Part number
SBV700-6-L-350-V-A*00	4052347

### Dimensional drawing



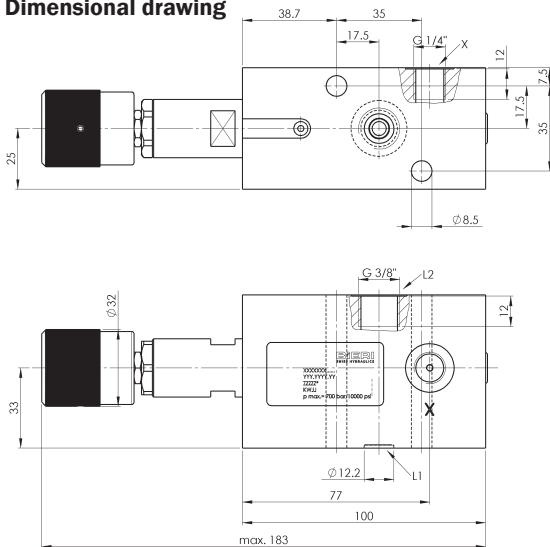
### Hydraulic schematics



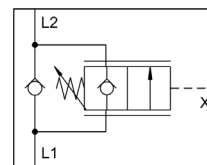
### Cylinder mounting

Type	Part number
SBV700-6-F-350-V-A*00	4052346

### Dimensional drawing



### Hydraulic schematics



## Bieri Hydraulik AG

Könizstrasse 274  
CH-3097 Liebefeld  
Tel. +41 31 970 09 09 | Fax +41 31 970 09 10  
info@bierihydraulics.com | www.bierihydraulics.com

The information in this brochure relates to the operating conditions and applications described.

For applications and operating conditions not described, please contact the relevant technical department.

Subject to technical modifications.