

# RF2



**Maximum pressure 20 bar**  
**Flow rates to 455 l/min**

## Filter housing (Materials)

- Filter body: Aluminium
- Cover: Nylon
- Valve: Nylon - Steel
- Anti-Emptying valve: Steel

## Pressure

- Working pressure: 20 bar

## Temperature

- From -25 °C to +110 °C

## Bypass valve

- Opening pressure 1,75 bar  $\pm$ 10%

## $\Delta p$ Elements type

- Series CU elements: 10 bar
- Oil flow from inside to outside.

## Seals

- Standard NBR series A
- Optional FPM series V

## Weights (kg)

- RF2 250 2,6
- RF2 350 2,8

## Volumes (dm<sup>3</sup>)

- RF2 250 2,0
- RF2 350 2,0

## Compatibility (to ISO 2943)

- Housings compatible with:  
Mineral oils, synthetic fluids.  
Aqueous emulsions, water and glycol.
- The filter elements are compatible with:  
Mineral oils, synthetic fluids.  
Aqueous emulsions, water and glycol  
(series W required).
- NBR seals series A, compatible with:  
Mineral oils, synthetic fluids.  
Aqueous emulsions, water and glycol.
- FPM seals V series, compatible with:  
Synthetic fluids type HS-HFDR-HFDS-HFDU

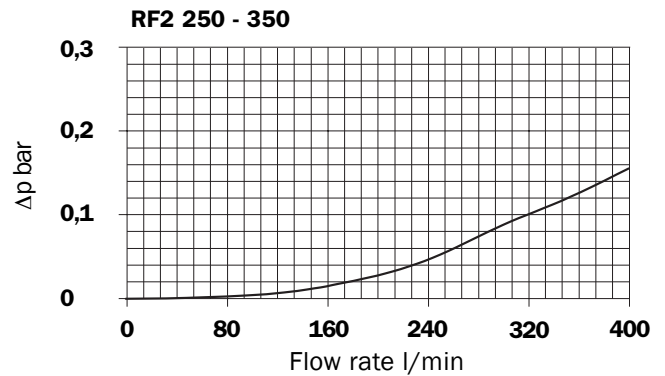
## Recommended maximum flow rate

- Pressure drop of filter assembly equal to  $\Delta p$  0,5 bar.
- Oil kinematic viscosity 30 mm<sup>2</sup>/s (cSt).
- Density 0,86 kg/dm<sup>3</sup>.

## Filter housings $\Delta p$ pressure drop

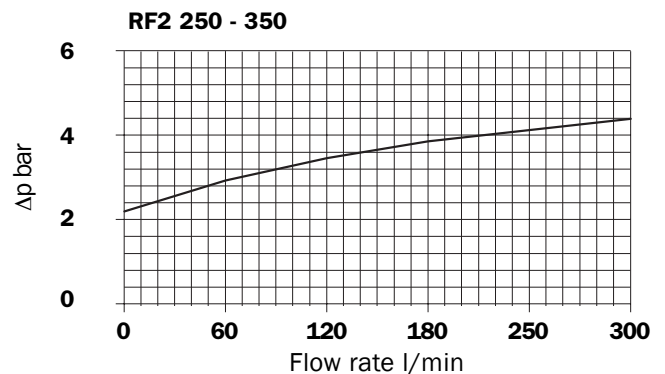
The curves are plotted utilising mineral oil with density of 0.86 kg/dm<sup>3</sup> to ISO 3968.

$\Delta p$  varies proportionally with density.



## Valves

### Bypass valve pressure drop



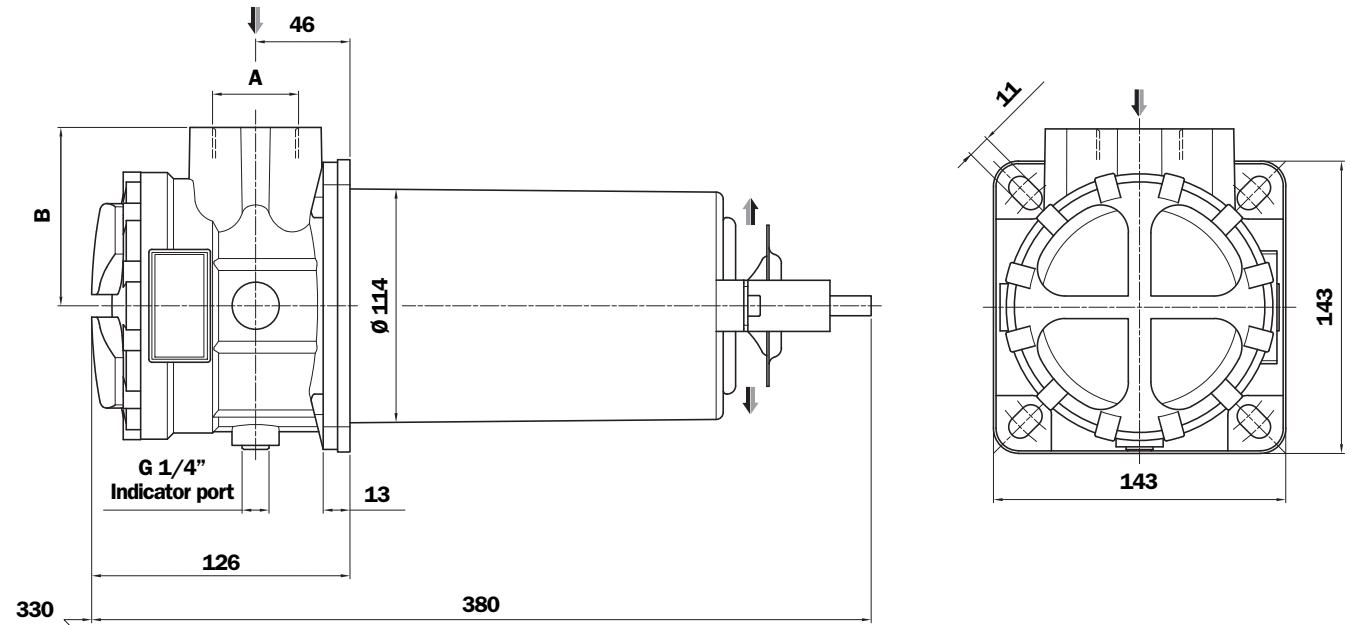
## Filtration

Length	A03	A06	A10	A16	A25	P10	P25	M25 - M60 - M90
<b>RF2 250 - 350</b>	1	143	178	270	300	350	350	350

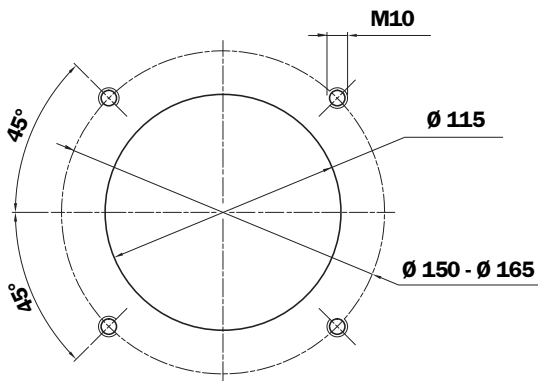
Flow rate l/min

# Dimensions

## RF2 250



### Holes on the tank



### Thread connections

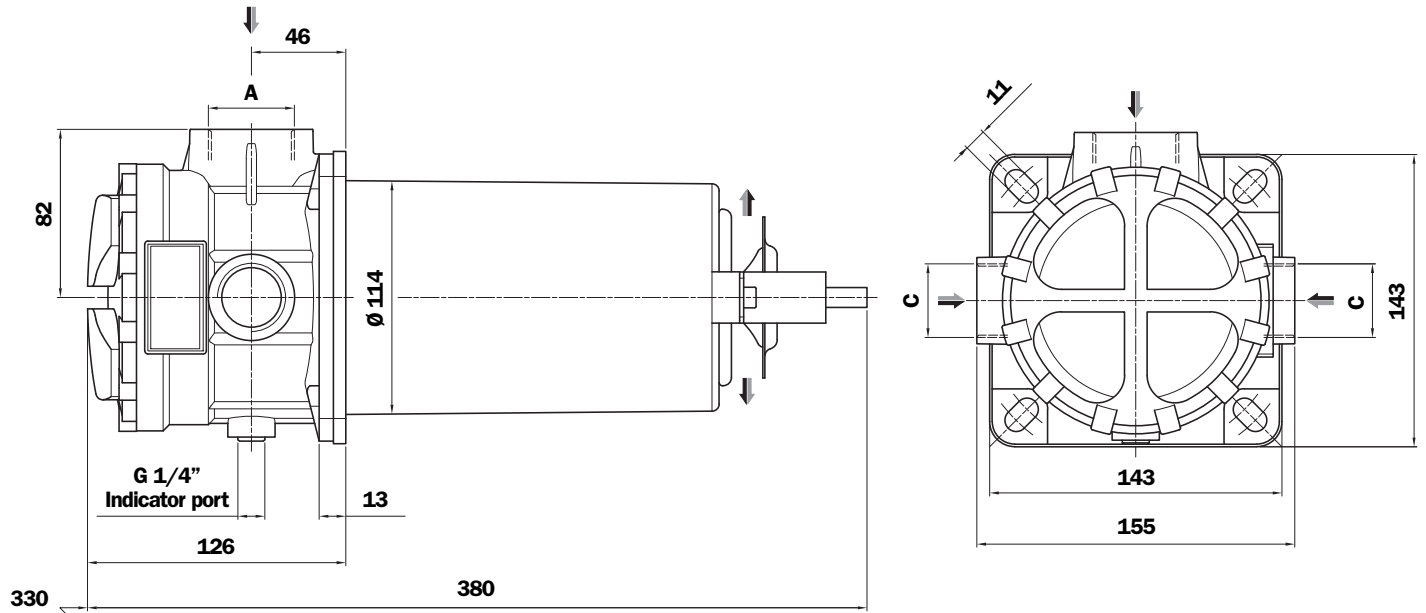
Type	A	B
G1	G 1 1/2"	82
G2	1 1/2" NPT	82
G3	SAE 24 - 1 7/8" - 12 UN	82
G4	G 1 1/4"	82
G5	1 1/4" NPT	82
G6	SAE 20 - 1 5/8" - 12 UN	82
G4	G 1"	82
G5	1" NPT	82
G6	SAE 16 - 1 5/16" - 12 UN	82

### Flange connections\*

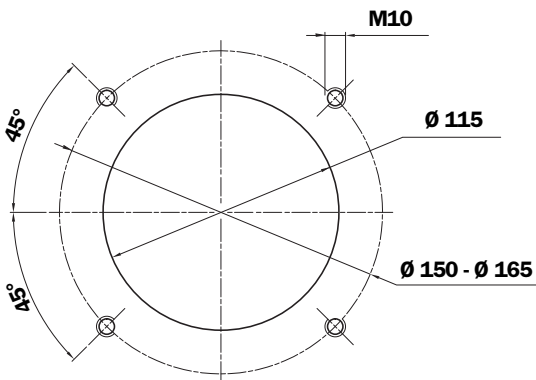
Type	A	B
F1	1 1/2" SAE 3000 psi/M	87
F2	1 1/2" SAE 3000 psi/UNC	87

\*Connections table "DN - SAE flange" see page 5

# RF2 350



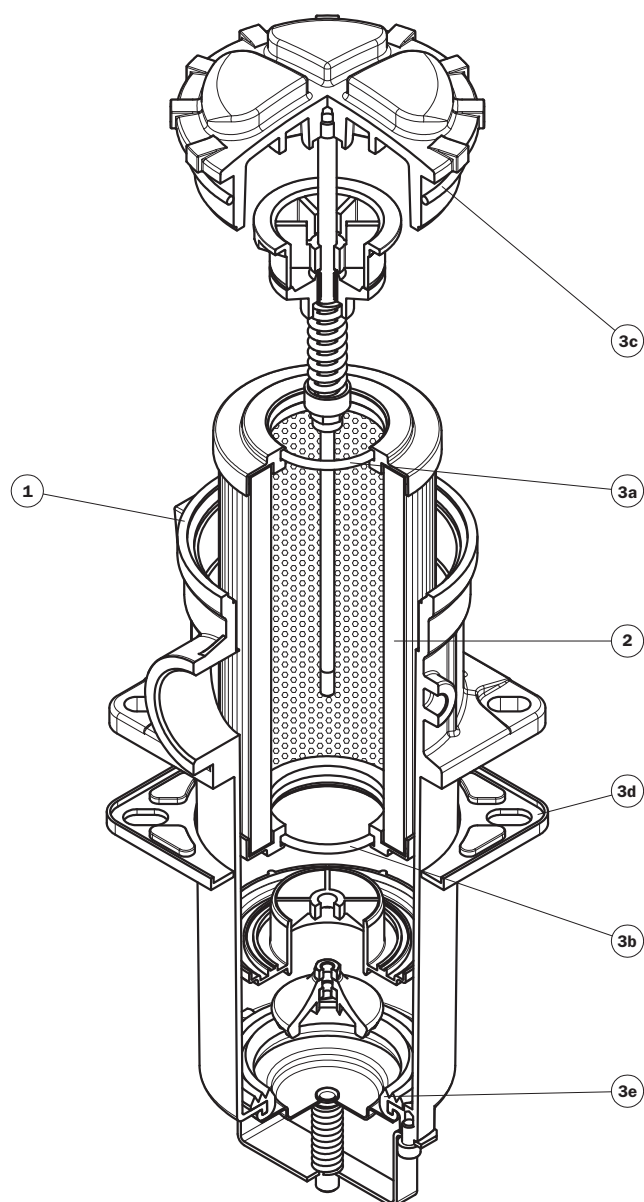
## Holes on the tank



## Thread connections

Type	A	C
G1	G 1 1/2"	G 1"
G3	SAE 24 - 1 7/8" - 12 UN	SAE 16 - 1 5/16" - 12 UN

# Spare parts



Item	Description	Q.ty	FILTER Series RF2 250 - 350	
<b>1</b>	Filter assembly	1	See order table	
<b>2</b>	Filter element	1	See order table	
<b>3</b>	Seal Kit	1	NBR 02050586	FPM 02050587
<b>3a</b>	Filter element top seal	1	O-R Metric Ø 50 x 4	
<b>3b</b>	Filter element bottom seal	1	O-R Metric Ø 50 x 4	
<b>3c</b>	Cover seal	1	O-R Metric Ø 113 x 4	
<b>3d</b>	Head seal	1	01026595	01026596
<b>3e</b>	Valve seal	1	01026209	01026210

# Ordering information RF2

## Filter assembly RF2

Example: RF2

<b>1</b>	<b>2</b>	<b>3</b>	<b>4</b>	<b>5</b>	<b>7</b>
<input type="checkbox"/>	<input type="checkbox"/>	<input type="checkbox"/>	<input type="checkbox"/>	<input type="checkbox"/>	<input type="checkbox"/>
<b>350</b>	<b>A</b>	<b>G1</b>	<b>B</b>	<b>A25</b>	<b>P01</b>

## Filter element CU

Example: CU

<b>1</b>	<b>5</b>	<b>6</b>	<b>7</b>
<input type="checkbox"/>	<input type="checkbox"/>	<input type="checkbox"/>	<input type="checkbox"/>
<b>250</b>	<b>A25</b>	<b>N</b>	<b>P01</b>

### 1 - Style

Filter	Filter element
<input type="checkbox"/> <b>250</b>	<input type="checkbox"/> <b>250</b>
<input type="checkbox"/> <b>350</b>	<input type="checkbox"/> <b>250</b>

### 2 - Filter seals & Treatment

<input type="checkbox"/> <b>A</b>	NBR
<input type="checkbox"/> <b>V</b>	FPM
<input type="checkbox"/> <b>W</b>	NBR, Filter body anodized. Filter element compatible with fluid HFA, HFB, HFC (only for filter element type Axx and Mxx)
<input type="checkbox"/> <b>Z</b>	FPM, Filter body anodized. Filter element compatible with fluid HFA, HFB, HFC (only for filter element type Axx and Mxx)

### 3 - Connections

#### RF2 250

Type	A
<b>G1</b>	G 1 1/2"
<b>G2</b>	1 1/2" NPT
<b>G3</b>	SAE 24 - 1 7/8" - 12 UN
<b>G4</b>	G 1 1/4"
<b>G5</b>	1 1/4" NPT
<b>G6</b>	SAE 20 - 1 5/8" - 12 UN
<b>G4</b>	G 1"
<b>G5</b>	1" NPT
<b>G6</b>	SAE 16 - 1 5/16" - 12 UN
<b>F1</b>	1 1/2" SAE 3000 psi/M
<b>F2</b>	1 1/2" SAE 3000 psi/UNC

#### RF2 350

Type	A	C
<b>G1</b>	G 1 1/2"	G 1"
<b>G3</b>	SAE 24 - 1 7/8" - 12 UN	SAE 16 - 1 5/16" - 12 UN

### 4 - By-pass valve

<input type="checkbox"/> <b>B</b>	1.75 bar
<input type="checkbox"/> <b>E</b>	3 bar

### 5 - Filter element

<input type="checkbox"/> <b>A03</b>	Inorganic microfibre 3 $\mu$	} Absolute filtration $\beta_x(c) \geq 1000$
<input type="checkbox"/> <b>A06</b>	Inorganic microfibre 6 $\mu$	
<input type="checkbox"/> <b>A10</b>	Inorganic microfibre 10 $\mu$	
<input type="checkbox"/> <b>A16</b>	Inorganic microfibre 16 $\mu$	
<input type="checkbox"/> <b>A25</b>	Inorganic microfibre 25 $\mu$	
<input type="checkbox"/> <b>M25</b>	Wire mesh	} Nominal Filtration
<input type="checkbox"/> <b>P10</b>	Resin impregnated paper	} Nominal Filtration
<input type="checkbox"/> <b>P25</b>	Resin impregnated paper	

### 6 - Filter element seals

<input type="checkbox"/> <b>N</b>	NBR
<input type="checkbox"/> <b>V</b>	FPM
<input type="checkbox"/> <b>W*</b>	NBR (only for filter element type Axx and Mxx)
<input type="checkbox"/> <b>Z*</b>	FPM (only for filter element type Axx and Mxx)

### 7 - Option

<input type="checkbox"/> <b>P01</b>	MP Filtri standard
-------------------------------------	--------------------

\* Compatible with fluid HFA, HFB, HFC

**MP Filtri** - The filter functions as described in this bulletin are valid exclusively for original MP Filtri filter elements and replacement parts. All rights reserved

The data in this publication are purely guideline. MP Filtri reserves the right to make changes to the models described herein at any time it deems fit in relation to technical or commercial requirements. The colours of the products shown on the cover are purely guideline. Copyright. All rights reserved.