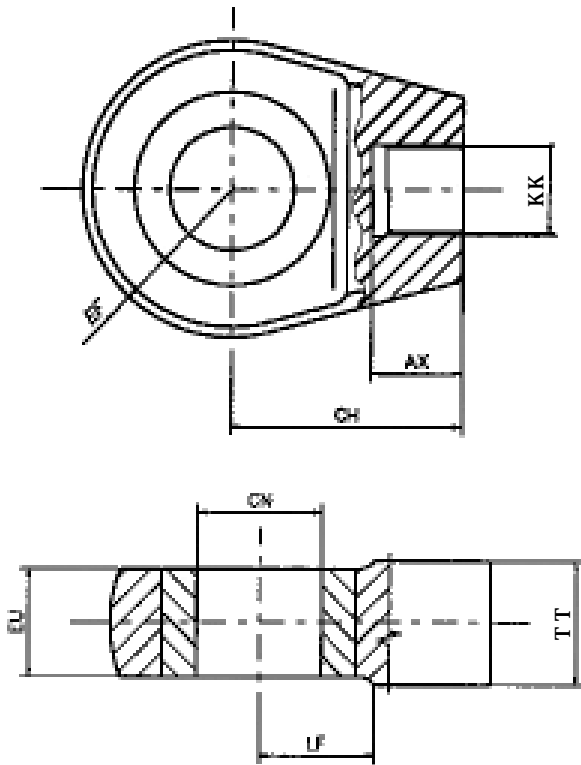
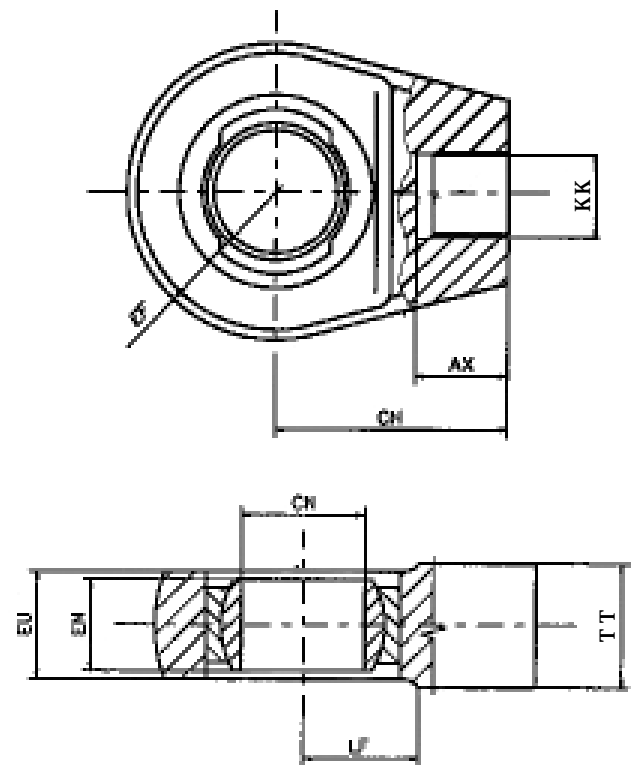


OVERALL DIMENSIONS

Eyes with internal thread (MW)



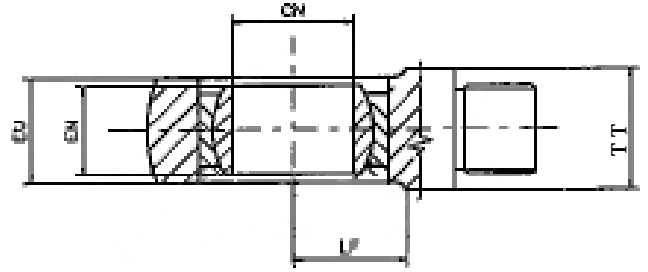
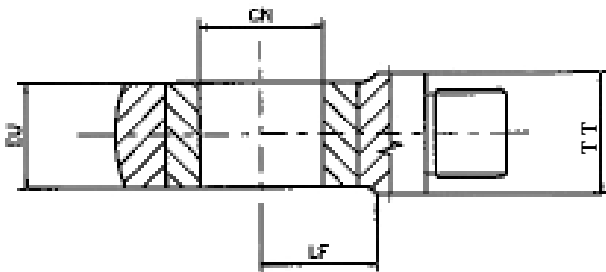
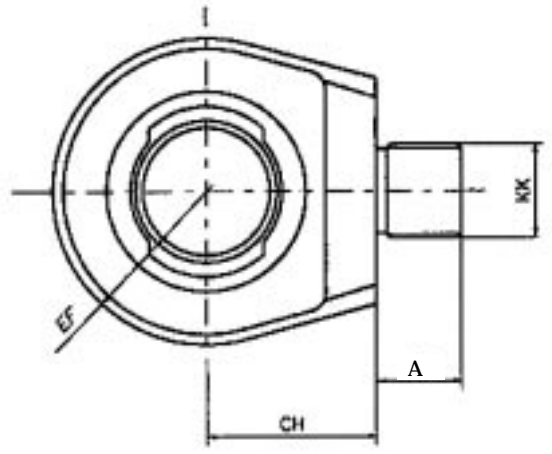
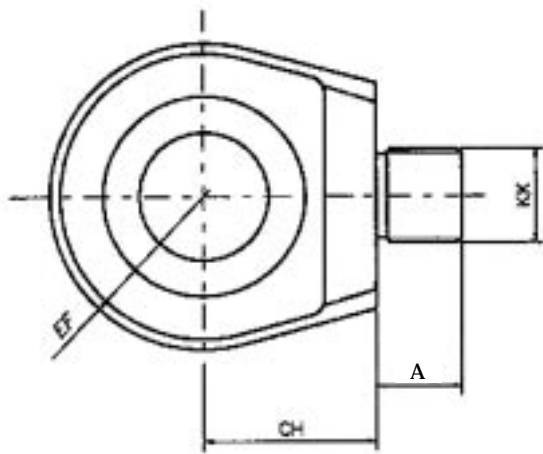
Type 1



Type 2

Cylinder dia.	25	32	40	50	63	80	100	125	140	160
AX	16	18	22	22	28	34	40	50	56	60
CH	36	44	50	56	70	88	105	135	150	170
CN	16	20	25	30	35	40	50	60	70	80
EF	21	25	30	36	40	50	60	73	84	97
EU	14	20	24	26	31	32	40	55	60	65
KK	M12x1.5	M16x1.5	M16x1.5	M22x1.5	M27x2	M33x2	M42x2	M48x2	M56x2	M64x2
LF	16	22	—	28	36	45	56	70	80	90
TT	19	24	24	30	36	46	60	75	85	95

Eyes with external thread (MZ)



Type 1

Type 2

Cylinder dia.	40	50	63	80	100	125	140	160
A	18	20	22	30	36	45	50	56
CH	36	40	50	63	75	95	105	120
CN	25	30	35	40	50	60	70	80
EF	30	36	40	50	60	73	84	97
EU	24	26	31	32	40	55	60	65
KK	M16x1.5	M22x1.5	M27x2	M33x2	M42x2	M48x2	M56x2	M64x2
LF	—	28	36	45	56	70	80	90
TT	24	30	36	46	60	75	85	95

HOW TO ORDER

Orders coded in the way showed below should be forwarded to the manufacturer.

UU	/			*
----	---	--	--	---

Ucho

Type
- swivel bearing = 1
- spherical bearing = 2

Cylinder dia
against a Table

Series number
02 = 02
(00 - 09) installation and connection dimension unchanged

Mounting:
External metric thread = MZ
Internal metric thread = MW

Further requirements to be added in text (to agree with manufacturer)

Coding example:
UU1-80-02-MZ

The manufacturer offers special eyes to customer requirements.

PONAR WADOWICE S.A.
ul. Wojska Polskiego 29
34-100 Wadowice
tel. 033/ 823 39 43, 823 30 41
fax 033/ 873 48 80
e-mail: ponar@ponar-wadowice.pl

