

# Foreword

Filters are essential components in hydraulic systems since they perform a role of primary importance “**Cleaning of the fluid**”. Hydraulic systems require filtration products in order to reduce and maintain particulate contamination in-line with the ISO 4406 cleanliness code.

In-line filters in single and duplex designs are designed and built to meet market demands for applications in high pressure, Off-Line and in-line hydraulic systems.

Studies conducted by our R&D department on filter bodies and filter elements led to the development of a line of products offering excellent technical features including a reduction in pressure drops combined with high dirt holding capacity of the filter elements.

The choice of filter for a given application must take into account the technical characteristics of the hydraulic system and its components in relation to the work to be performed.

## Filter selection and sizing parameters

1. Application type
2. Type of filter(s)
3. Sensitivity of components: **to ISO 4406 class x/x/x**
4. Filtration efficiency:  **$\mu\text{m } \beta_x (c) \geq 1.000$**
5. Fluid type: **HLP - HFC - HFD others**
6. Kinematic viscosity:  **$\text{mm}^2/\text{sec (cSt)}$**
7. Operating temperature: **min - max °C (°K)**
8. Working pressure: **bar (MPa)**
9. Effective flow rate: **l/min**
10. Maximum pressure drop:  **$\Delta p$  bar (MPa)**
11. Bypass valve: **with / without**
12. Differential indicator: **pressure differential type  $\Delta p$  bar (MPa)**

## Head at top

In-line connection

Series **LMP400**

**LMP900**



## Head at top

90° connection

Series **LMP401**

**LMP901**

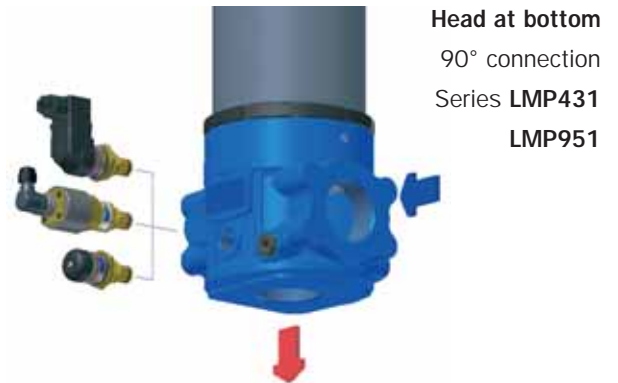


## Head at bottom

In-line connection

Series **LMP430**

**LMP950**



## Head at bottom

90° connection

Series **LMP431**

**LMP951**

## INDEX

## Page

Foreword	6
Filter elements	8
Sizing	10
Differential indicators	12
SAE flanges	19

## FILTER

LMP 210	In-line filter working pressure	60 bar	20
LMP 400	In-line filter working pressure	60/50 bar	26
LMD 400/01/31	In-line filter working pressure	16 bar	38
LMP 900	In-line filter working pressure	30 bar	50
LMP 902-903	In-line filter working pressure	25 bar	60
LMP 950	In-line filter working pressure	30 bar	68
LMP 952-956	In-line filter working pressure	25 bar	76
LMD 951-953	In-line duplex filter working pressure	16 bar	88

Fixing accessories	100
Operation and maintenance	102

# Foreword

## Installation in open circuits:

### Positioning

#### Return filter mounted externally from the tank

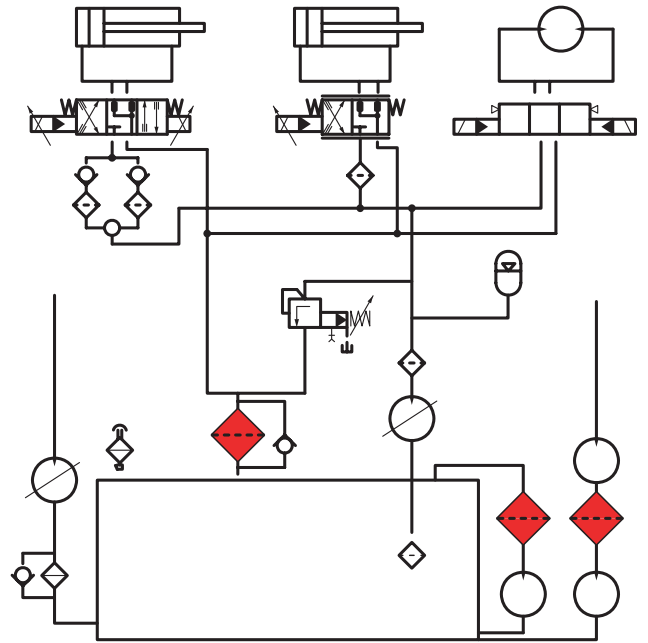
For large size systems.  
For flushing systems.

#### Off-line filter

For fluid power plants.  
For test benches.

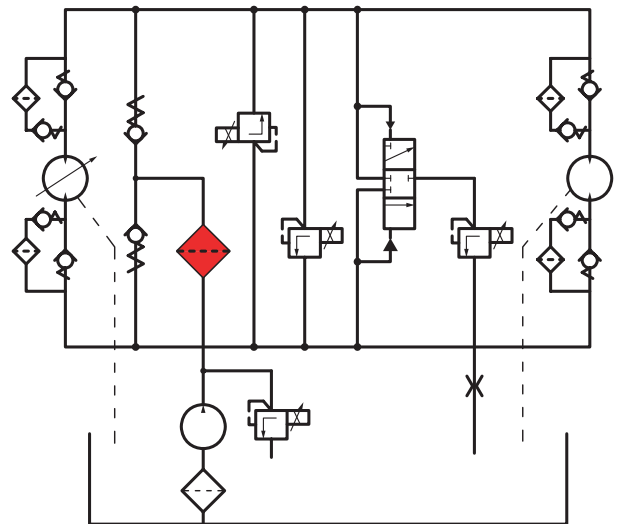
#### Over-boost filter

Positioning between the boost pump and piston pump.



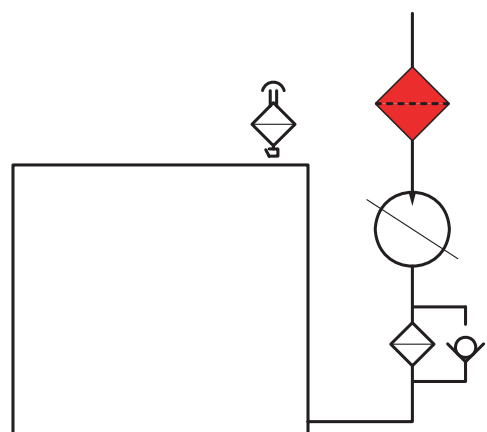
## Installations in closed circuits with the following functions:

**Working filter:** down-stream from the hydrostatic transmission boost pump.



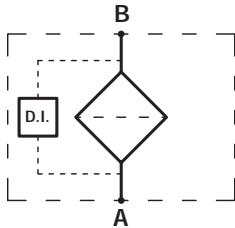
## Installations in forced lubrication circuits:

**In-line filter for low and medium pressures:** protection of individual components or actuator.



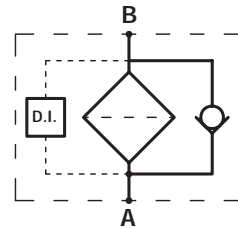
## HYDRAULIC SCHEMATICS

Style S



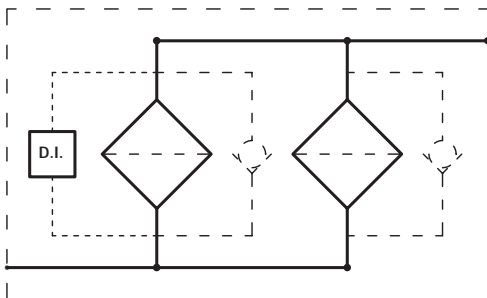
**Filter without bypass valve**, the entire flow must pass through the cartridge for maximum protection of the system in all operating conditions.

Style B



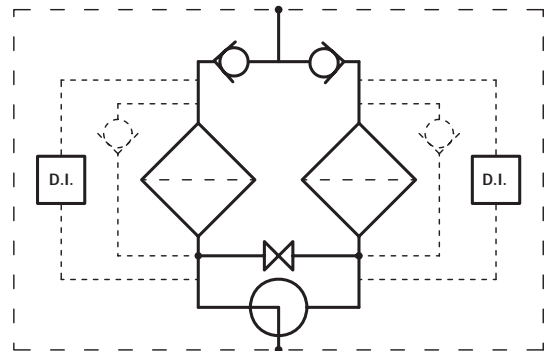
**Filter with bypass valve**, standard opening  $\Delta p$  3.5 bar, filtration cannot be assured in all operating conditions. The flow that passes through the bypass valve is proportional to the differential pressure caused by clogging of the cartridge and variations in fluid viscosity related to temperature (see cold starts).

Manifold version



**Filters with or without bypass valves**, standard opening  $\Delta p$  3.5 bar, mounted in parallel on 2 to 6 position multiple manifolds. Single differential indicator required.

Duplex filter



**Duplex filter with or without bypass valve**, standard opening  $\Delta p$  3.5 bar. Two differential clogging indicators required. The filter is composed of a ball valve on the inlet connection, in 3-way execution layout "L" negative overlap, balancing connection between the two filters and double check valve on the outlet connection.

# Filter elements

## Description

The filter elements are available with surface and depth filtration media.

Surface media are made of stainless steel wire mesh, nominal filtration.

Depth filtration media are made of inorganic fibre impregnated with epoxy resins, absolute filtration.

## Differential collapse pressure

Mesh M  $\Delta p$  20 bar Serie N

Fibre A  $\Delta p$  20 bar Serie N

Cellulose P  $\Delta p$  20 bar Serie N

Mesh M  $\Delta p$  20 bar Serie W

Fibre A  $\Delta p$  20 bar Serie W

**Support tubes** - steel with heat-chemical treatment.

**Inner support tube** - steel with heat-chemical treatment.

## Compatibility with fluids and filter elements

### Series N

- The filter elements are compatible with:  
Mineral oils to ISO 2943 - 4  
Synthetic fluids.
- Seals, standard in NBR compatible with:  
Mineral oils to ISO 2943 - 4  
Synthetic fluids.
- FPM seals (test to ISO 2943), compatible with:  
Synthetic fluids type HS-HFDR-HFDS-HFDU  
To ISO 6743 - 4.

### Compatibility with fluids and W series filter elements

- The filter elements are compatible with:  
Mineral oils to ISO 2943 - 4  
Aqueous emulsions  
Synthetic fluids, water and glycol.
- Seals, standard in NBR compatible with:  
Mineral oils to ISO 2943 - 4  
Aqueous emulsions  
Synthetic fluids, water and glycol.
- FPM seals (test to ISO 2943), compatible with:  
Synthetic fluids type HS-HFDR-HFDS-HFDU  
To ISO 6743 - 4.  
To ISO 2943

**N.B.** P series cellulose cartridges are compatible only with mineral oils to ISO 2943 - 4.

## Composition of filtration media

### Series N-W: mesh M (style M25)

Internal support mesh, filtration mesh, external support mesh.

### Series N-W: Fibre A

Internal support mesh, filter media support, filtration media, prefilter media, external support mesh.

### Series N: Cellulose P

Internal support mesh, cellulose filtration media, external support mesh.

## Reference standards

All filter elements comply with the following ISO standards.

**ISO 2941** - Collapse and burst resistance

**ISO 2942** - Bubble point test resistance.

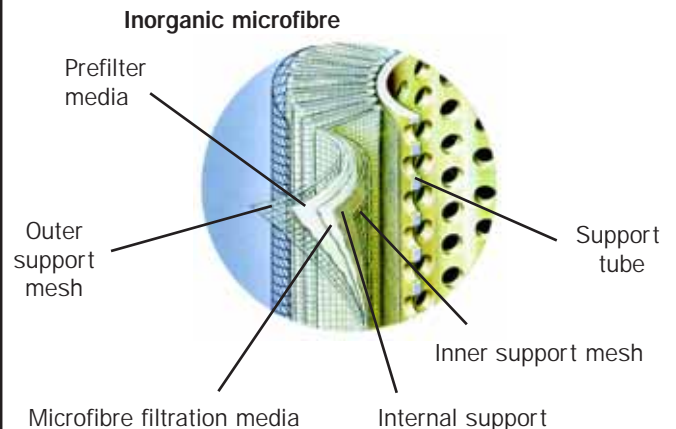
**ISO 2943** - Compatibility with fluids.

**ISO 3723** - Resistance to axial deformation.

**ISO 3724** - Fatigue test with flow.

**ISO 3968** - Pressure drop.

**ISO 16889** - Filtration efficiency by means of Multipass.



Multipass test in compliance with new ISO 16889 standard. Contaminant ISO MTD							Multipass test in compliance with original ISO 4572 standard. Contaminant ACFTD	
Value $\beta$	2	10	75	100	200	1000	Value $\beta$	200
Filtration efficiency in %	50%	90%	98.70%	99%	99.50%	99.90%	Filtration efficiency in %	99.50%
Filter element	(µm ©)							µm
A03	<3	<3	<3	<3	3.30	4.2	A03 3 µm	3
A06	<3	<3	4.31	4.53	5.07	6.3	A06 6 µm	6
A10	<6	<6	6.12	6.41	7.12	9.0	A10 10 µm	10
A16	<7	<7	10.45	10.97	12.13	13.9	A16 16 µm	16
A25	<9	12.34	15.82	16.30	17.46	19.3	A25 25 µm	25

The above data are referred to a final  $\Delta p$  value of 16 bar

### Characteristics of filter elements with nominal filtration, M series

For the square stainless steel wire mesh, filtration degree is defined as the maximum diameter of a sphere corresponding to the mesh size, in microns.

### Characteristics of filter elements with nominal filtration, P series

For cellulose cartridges, filtration efficiency expressed in micron is to be construed as nominal  $\beta_{x@>2}$

### International standards for fluid contamination control

Components	Recommended filtrations									
	12/10/7	13/11/8	14/12/9	15/13/10	16/14/11	17/15/12	18/16/13	19/17/14	20/18/15	
Servo valves			●	●	●					
Proportional Valves				●	●	●				
Variable displacement pumps.					●	●	●			
Cartridge valves						●	●	●		
Piston pumps						●	●	●		
Vane pumps							●	●	●	
Pressure / flow rate control valves							●	●	●	
Solenoid valves							●	●	●	
ISO code	12/10/7	13/11/8	14/12/9	15/13/10	16/14/11	17/15/12	18/16/13	19/17/14	20/18/15	
NAS code	1	2	3	4	5	6	7	8	9	
Absolute filtration recommended	3 micron			6 micron			10 micron		>10	

Microfibre filter elements tested in collaboration with the following independent institutes.



# Filter sizing

Correct sizing of the filter must be based on a variable pressure drop depending on the application:

- return filter  $\Delta p$  from 0.4 to 0.6 bar
- filter on lubrication lines  $\Delta p$  from 0.3 to 0.5 bar
- off-line fluid power plants  $\Delta p$  from 0.3 to 0.4 bar
- off-line filter test benches  $\Delta p$  from 0.1 to 0.3 bar
- over-boost filter  $\Delta p$  from 0.4 to 0.6 bar

The pressure drop calculation is performed by adding together the value for the housing and the value for the filter element.

The pressure drop in the housing is proportional to the fluid density  $\text{kg/dm}^3$ ; all the graphs in the catalogue are referred to mineral oil with density of  $0.86 \text{ kg/dm}^3$ .

The filter element pressure drop value is proportional to viscosity  $\text{mm}^2/\text{s}$ , the Y values in the catalogue are referred to viscosity of  $30 \text{ mm}^2/\text{s}$ .

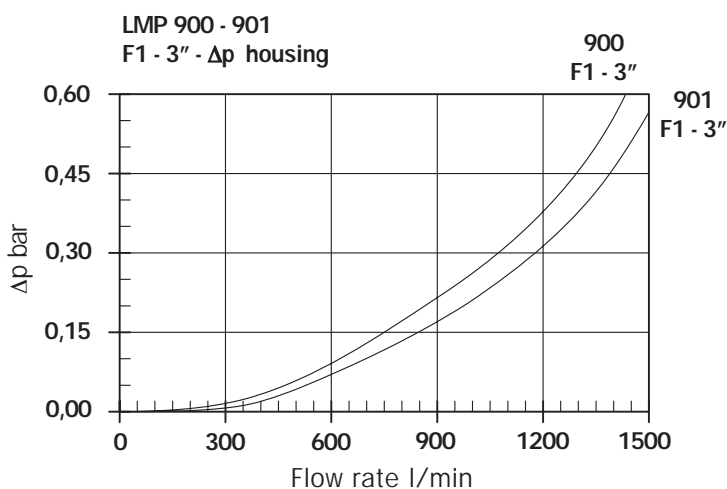
## Number of working cartridges installed in LMP - LMD filters

LMP 210 1	1 cartridge	CU 210 1
LMP 210 2	1 cartridge	CU 210 2
LMP 210 3	1 cartridge	CU 210 3
LMP 400 2	1 cartridge	CU 400 2
LMP 400 3	1 cartridge	CU 400 3
LMP 400 4	1 cartridge	CU 400 4
LMP 400 5	1 cartridge	CU 400 5
LMP 400 6	1 cartridge	CU 400 6
LMD 400/401 4	1 cartridge	CU 400 4
LMD 431 5	1 cartridge	CU 400 5
LMD 431 6	1 cartridge	CU 400 6
LMP 900 1	1 cartridge	CU 900
LMP 900 2	2 cartridges	CU 900
LMP 902 2	4 cartridges	CU 900
LMP 903 2	6 cartridges	CU 900
LMP 950 2	1 cartridge	CU 950 2
LMP 950 3	1 cartridge	CU 950 3
LMP 952 3	2 cartridges	CU 950 3
LMP 953 3	3 cartridges	CU 950 3
LMP 954 3	4 cartridges	CU 950 3
LMP 955 3	5 cartridges	CU 950 3
LMP 956 3	6 cartridges	CU 950 3
LMD 951 3	1 cartridge	CU 950 3
LMD 952 3	2 cartridges	CU 950 3
LMD 953 3	3 cartridges	CU 950 3

## Filter housing $\Delta p$ pressure drop

The curves are plotted utilising mineral oil with density of  $0.86 \text{ kg/dm}^3$  to ISO 3968.

$\Delta p$  varies proportionally with density.



For Y values see next page:

## Sizing data for single cartridge, head at top

$\Delta p$  Tot.

$\Delta p_c$  Filter housing

$\Delta p_e$  Filter element

Y Multiplication factor (see page 11)

Q l/min = flow rate

V1 = reference viscosity  $30 \text{ mm}^2/\text{s}$  (cSt)

V2 = operating viscosity in  $\text{mm}^2/\text{s}$  (cSt)

$\Delta p$  Tot. =  $\Delta p_c + \Delta p_e$

$\Delta p_e = Y : 1000 \times Q \times (V2/V1)$

## Calculation example with HLP Mineral Oil Variation in viscosity

Data:

Filter with in-line connections

Pressure = 15 bar

Flow rate = 700 l/min

Viscosity =  $46 \text{ mm}^2/\text{s}$  (cSt)

Density =  $0.86 \text{ kg/dm}^3$

Filtration =  $10 \mu$  absolute

With bypass valve

Filter type - LMP 900 1 (see housings pressure drop graphs on page 52)

## Practical example

Q = 700 l/min

V2 =  $46 \text{ mm}^2/\text{s}$  (cSt)

Pmax = 15 bar

Filtration =  $10 \mu$  absolute

$\Delta p$  Tot. max = **0.6 bar** (max. recommended value)

Filter element series N,  $\Delta p$  max 20 bar

$\Delta p_c = 0.13 \text{ bar}$  (\* see diagram)

$\Delta p_e = (0.3166 : 1000) \times 700 \times (46/30) = 0.34 \text{ bar}$

$\Delta p$  Tot. =  $0.13 + 0.34 = 0.47 \text{ bar}$

Sized filter type:

**LMP 900 1 B A F1 A10 N P01**

## Calculation examples with HFD fluid Variations in viscosity and density

Data:

Filter with in-line connections

Pressure = 15 bar

Flow rate = 700 l/min

Viscosity =  $46 \text{ mm}^2/\text{s}$  (cSt)

Density =  $1.1 \text{ kg/dm}^3$

Filtration =  $10 \mu$  absolute

With bypass valve

Filter type - LMP 900 1 (see housings pressure drop graphs on page 52)

## Practical example

Q = 700 l/min

V2 =  $46 \text{ mm}^2/\text{s}$  (cSt)

Pmax = 15 bar

Filtration =  $10 \mu$  absolute

$\Delta p$  Tot. max = **0.6 bar** (max. recommended value)

Filter element series N,  $\Delta p$  max 20 bar

$\Delta p_c = 0.13 \times (1.1/0.86) = 0.17$

$\Delta p_e = (0.3166 : 1000) \times 700 \times (46/30) = 0.34 \text{ bar}$

$\Delta p$  Tot. =  $0.17 + 0.34 = 0.51 \text{ bar}$

Filter type:

**LMP 900 1 B V F1 A10 N P01**

### Data for sizing multicartridge filters with head at top

$\Delta p_{Tot}$ .  
 $\Delta p_c$  Filter housing  
 $\Delta p_e$  Filter element  
 $Y$  Multiplication factor (see below)  
 $Q$  l/min = flow rate  
 $V_1$  = reference viscosity 30 mm<sup>2</sup>/s (cSt)  
 $V_2$  = operating viscosity in mm<sup>2</sup>/s (cSt)  
 $\Delta p_{Tot} = \Delta p_c + \Delta p_e$   
 $\Delta p_e = Y : 1000 \times Q \times (V_2/V_1)$

For multicartridge filter sizing, the value of flow rate "Q l/min" must be divided by the number of cartridges.

### Calculation example with HLP Mineral Oil Variation in viscosity

Data:  
 Filter with in-line connections  
 Pressure = 10 bar  
 Flow rate = 1400 l/min  
 Viscosity = 46 mm<sup>2</sup>/s (cSt)  
 Density = 0.86 kg/dm<sup>3</sup>  
 Filtration = 6 μ absolute  
 With bypass valve

Filter type - LMP 952 number of installed cartridges 2  
(see housings pressure drop graphs on pages 78 to 79)

#### Practical example

$Q = 1400$  l/min  
 $V_2 =$  mm<sup>2</sup>/s (cSt)  
 $P_{max} = 10$  bar  
 Filtration = 6 μ absolute  
 $\Delta p_{Tot. max} = 0.6$  bar (max. recommended value)  
 Filter element series N,  $\Delta p_{max}$  20 bar  
 $\Delta p_c = 0.1$  bar (\* see diagram)  
 $\Delta p_e = (0.4 : 1000) \times (1400/2) \times (46/30) = 0.43$  bar  
 $\Delta p_{Tot.} = 0.1 + 0.43 = 0.53$  bar

Sized filter type:  
**LMP 952 B A F3 A06 N P01**

### Calculation examples with HFD fluid Variations in viscosity and density

Data:  
 Filter with in-line connections  
 Pressure = 10 bar  
 Flow rate = 1400 l/min  
 Viscosity = 46 mm<sup>2</sup>/s (cSt)  
 Density = 1.1 kg/dm<sup>3</sup>  
 Filtration = 6 μ absolute  
 With bypass valve

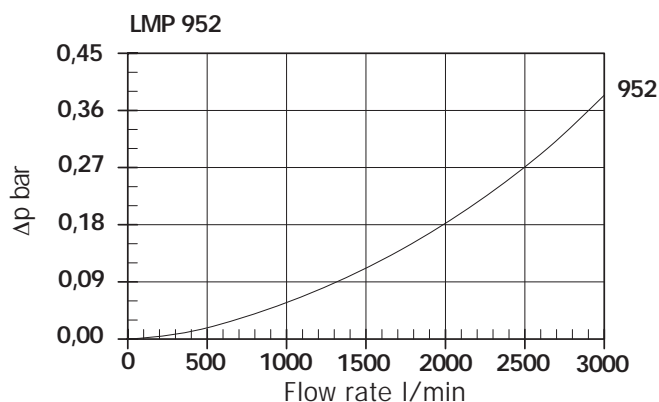
Filter type - LMP 952  
(see housings pressure drop graphs on pages 78 to 79)

#### Practical example

$Q = 1400$  l/min  
 $V_2 =$  mm<sup>2</sup>/s (cSt)  
 $P_{max} = 10$  bar  
 Filtration = 6 μ absolute  
 $\Delta p_{Tot. max} = 0.6$  bar (max. recommended value)  
 Filter element series N,  $\Delta p_{max}$  20 bar  
 $\Delta p_c = 0.1 \times (1.1/0.86) = 0.127$  bar  
 $\Delta p_e = (0.4 : 1000) \times (1400/2) \times (46/30) = 0.43$  bar  
 $\Delta p_{Tot.} = 0.127 + 0.43 = 0.557$  bar  
 Filter type:  
**LMP 952 B V F3 A06 N P01**

#### Filter housing $\Delta p$ pressure drop

The curves are plotted utilising mineral oil with density of 0.86 kg/dm<sup>3</sup> to ISO 3968.  
 $\Delta p$  varies proportionally with density.



### Multiplication factor "Y" for definition of the pressure drop of filter elements.

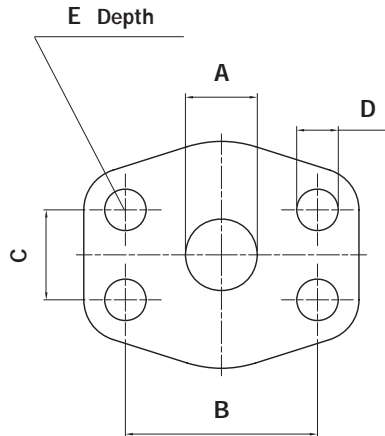
Reference viscosity 30 mm<sup>2</sup>/s

Filter Element	Filtration							
	Serie N - W						Serie N	
Type	A 0 3	A 0 6	A 1 0	A 1 6	A 2 5	M 2 5	P 1 0	P 2 5
CU 210 1	5,3	3,92	1,9	1,66	1,2	0,098	0,48	0,41
2	3	2,3	1,21	0,88	0,68	0,065	0,42	0,35
3	1,55	1,33	0,69	0,49	0,42	0,049	0,23	0,17
CU 400 2	3,133	2,550	1,457	1,225	0,780	0,192	0,750	0,640
3	2,150	1,700	0,940	0,781	0,500	0,102	0,400	0,340
4	1,600	1,285	0,709	0,615	0,400	0,084	0,340	0,270
5	1,000	0,833	0,475	0,340	0,200	0,057	0,240	0,190
6	0,822	0,580	0,300	0,267	0,175	0,053	0,220	0,177
CU 900 1	0,860	0,6333	0,3166	0,300	0,2142	0,050	-	-
CU 950 2	1,030	0,8	0,5875	0,4	0,2571	0,050	-	-
3	0,443	0,4	0,2625	0,1833	0,152	0,020	-	-



# Sizes / Connections to SAE flange

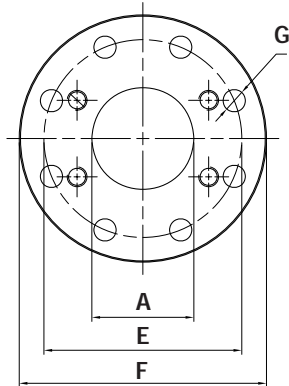
## FLANGE SAE 3000 PSI



### Connection to 3000 psi SAE flange

Dimension	2" SAE 3000 PSI M	2" SAE 3000 PSI UNC	2 1/2" SAE 3000 PSI M	2 1/2" SAE 3000 PSI UNC	3" SAE 3000 PSI M	3" SAE 3000 PSI UNC	4" SAE 3000 PSI M	4" SAE 3000 PSI UNC
A	51	51	63	63	73	73	99	99
B	77,77	77,77	88,90	88,90	106,38	106,38	130,18	130,18
C	42,88	42,88	50,80	50,80	61,93	61,93	77,77	77,77
D	M12	1/2" UNC	M12	1/2" UNC	M16	5/8" UNC	M16	5/8" UNC
E	20	20	20	20	25	25	25	25

## FLANGE DIN PN 16



Connection Flange IN-OUT	DIN PN16 DN80	DIN PN16 DN100
A	73	99
E	160	180
F	200	220
G	18	18

### SAE flange connections available on in-Line filters

Filter	SAE 3000 PSI				DIN PN16	
	2"	2 1/2"	3"	4"	DN80	DN100
LMP400/1	X	X				
LMP430/1	X	X				
LMD400/1/31		X				
LMP900/1			X	X		
LMP902/3				X		
LMP950/1			X	X		
LMP952/3/4/5/6				X		
LMD951/2/3			X	X	X	X