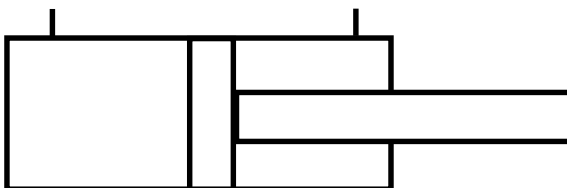


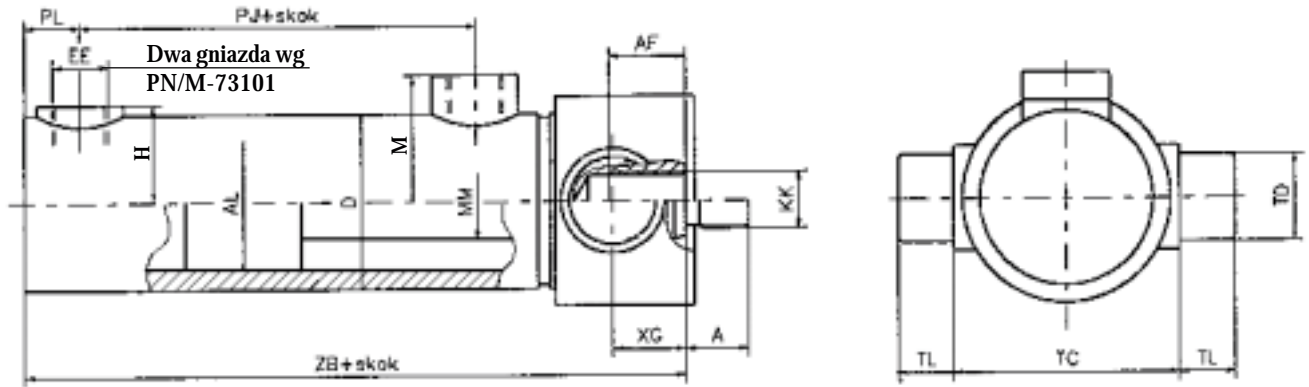
**APPLICATION**

Single piston rod double acting cylinder transfers accumulated in a working liquid pressure energy into mechanical energy which puts the piston in reciprocating motion. When pressure affects the piston area, the piston travels downwards. When pressure affects the piston rod area, the piston returns.

**DIAGRAM****DANE TECHNICZNE**

<b>Working fluid</b>	Hydraulic fluid (viscosity 10÷450 cSt)
<b>Nominal pressure</b>	16 MPa
<b>Required fluid filtration</b>	25 µm
<b>Operating temperature</b>	253÷353 K (-20÷80 °C)
<b>Max rod speed</b>	0.5 m/s
<b>Efficiency</b>	>0.9
<b>Piston rod coating</b>	Chrome

# OVERALL DIMENSIONS



AL	25	32	40	50	63	80	100	125	140	160
MM	18	22	22	28	36	45	56	70	80	90
A	14	16	18	20	22	30	36	45	50	56
AF	16	22	22	30	36	45	50	63	75	85
D	35	42	50	60	76	95	120	146	168	194
EE	M14x1,5	M14x1,5	M16x1,5	M16x1,5	M22x1,5	M27x2	M33x2	M33x2	M33x2	M33x2
H	15	18	28	32	40	50	55	69	80	93
M	31	35	36	42	50	62	75	88	98	110
KK	M12x1,5	M16x1,5	M16x1,5	M22x1,5	M27x2	M33x2	M42x2	M48x2	M56x2	M64x2
PL	13	13	16	17	21	20	27	28	35	32
PJ	58	61	64	73	85	105	124	135	155	154
TC	-	-	65	75	95	120	150	195	225	240
TD	-	-	25	30	35	40	50	55	60	80
TL	-	-	16	20	25	31	40	50	50	63
XG	-	-	~19	~22	~22	~32	~53	~55	~50	~50
ZB	115	129	138	152	180	210	264	283	323	328

Normalized strokes: 50, 80, 100, 125, 160, 200, 250, 320, 400, 500, 630, 800, 1000, 1250, 1600, 2000

## HOW TO ORDER

Orders coded in the way showed below should be forwarded to the manufacturer.

UCJ	5		16					*
-----	---	--	----	--	--	--	--	---

Piston hydraulic cylinder

Mounting:  
trunnion at cylinder tube

Zakończenie tłoczyska:  
External metric thread = MZ  
Internal metric thread = MW

Nominal pressure MPa

Series number  
02 = 02  
(00 - 09) installation and connection dimension unchanged

Piston dia  
against a Table

Piston rod dia  
against a Table

Piston stroke  
against a Table

Further requirements to be added in text (to agree with manufacturer)

Coding example:  
UCJ5MZ16-02-80-45-250

For special requirements, please, contact the manufacturer.

PONAR WADOWICE S.A.  
ul. Wojska Polskiego 29  
34-100 Wadowice  
tel. 033/ 823 39 43, 823 30 41  
fax 033/ 873 48 80  
e-mail: ponar@ponar-wadowice.pl

