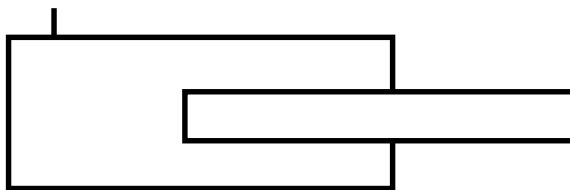


APPLICATION

Plunger hydraulic cylinder transfers accumulated in a working liquid pressure energy into mechanical energy which puts the piston in reciprocating motion. Working motion is actuated by working medium pressure acting at the plunger. The return is an effect of mechanical load after connecting cylinder area with a tank.

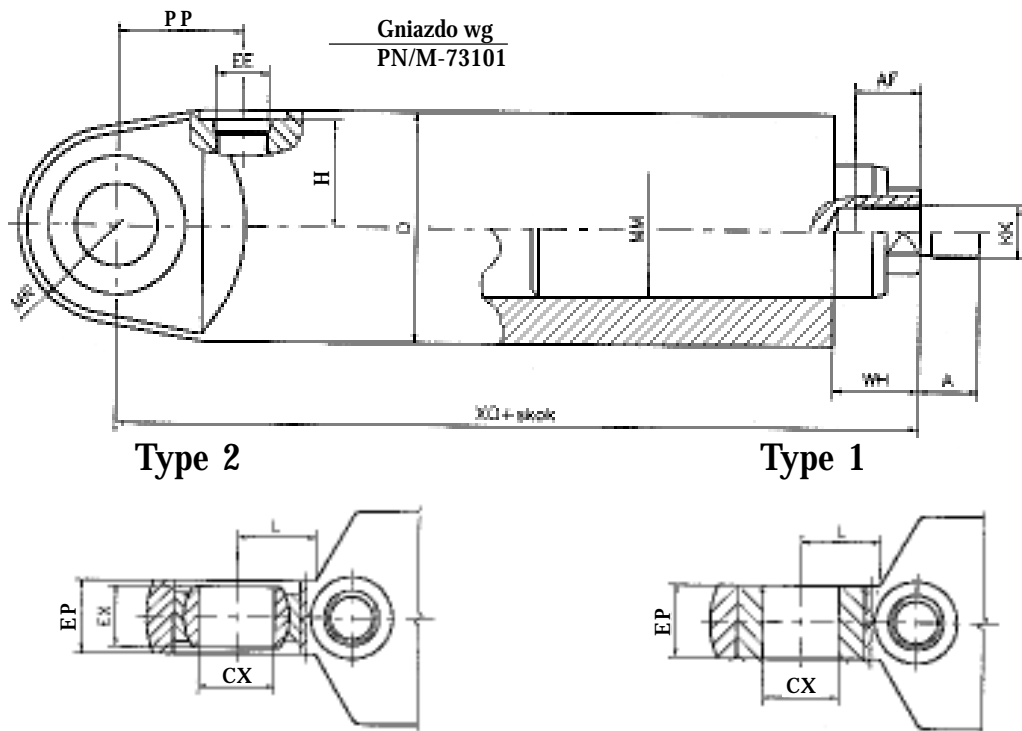
DIAGRAM



TECHNICAL DATA

Working fluid	Hydraulic fluid (viscosity 10 ÷ 450 cSt)
Nominal pressure	16 MPa
Required fluid filtration	25 µm
Operating temperature	253 ÷ 353 K (-20 ÷ 80 °C)
Max. plunger speed	0.5 m/s
Efficiency	>0.9
Plunger coating	Chrome

OVERALL DIMENSIONS



MM	25	32	40	50	63	80								
A	14	16	18	20	22	30								
AF	16	22	20	22	28	34								
CX	16	20	25	30	35	40								
D	48	57	60	83	95	114								
EE	M14x1.5	M14x1.5	M16x1.5	M16x1.5	M22x1.5	M27x2								
EP	12	20	24	26	31	32								
EX	14	16	20	22	25	28								
H	21	26	32	36	42	53								
KK	M12x1.5	M16x1.5	M16x1.5	M22x1.5	M27x2	M33x2								
L	16	22	26	28	36	45								
MR	21	25	30	36	40	50								
PP	28	34	38	41	56	65								
WH	8	15	26	29	14	49								
Skok do	200	400	100	250	630	1250	125	400	1600	200	500	1250	400	1250
XO	127	137	132	147	157	195	185	210	225	192	207	227	262	302
Normalized strokes: 50, 80, 100, 125, 160, 200, 250, 320, 400, 500, 630, 800, 1000, 1250, 1600, 2000														

HOW TO ORDER

Orders coded in the way showed below should be forwarded to the manufacturer.

UCN			16				*
-----	--	--	----	--	--	--	---

Plunger hydraulic cylinder

Mounting

- swivel bearing = 1
- spherical bearing = 2

Plunger end:

External metric thread = MZ
Internal metric thread = MW

Nominal pressure MPa

Series number

02 = 02
(00 - 09) installation and connection dimension unchanged

Plunger dia
against a Table

Plunger stroke
against a Table

Further requirements to be added in text (to agree with manufacturer)

Coding example:

UCN1MZ16-02-80-200

For special requirements, please, contact the manufacturer.

PONAR WADOWICE S.A.
ul. Wojska Polskiego 29
34-100 Wadowice
tel. 033/ 823 39 43, 823 30 41
fax 033/ 873 48 80
e-mail: ponar@ponar-wadowice.pl

