

# PRESSURE GAUGE SELECTORS



Gauge isolator valves are designed to protect pressure gauges from pressure shocks when the pressure reading is not required; after each reading setting the selector to the closed position serves to depressurise the pressure gauge by means of the T fitting connected to the reservoir. 3 and 6-way pressure gauge selectors perform the same function as the gauge isolator valves, allowing pressure values from different parts of the system to be read using a single pressure gauge.

#### Working pressure

- 400 bar

#### Temperature

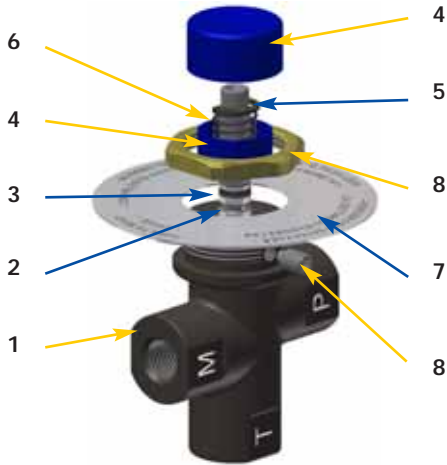
- from -25° to +100°C

#### Compatibility

- NBR seals, compatible with:  
Mineral oils to ISO 2943 - aqueous emulsions  
Synthetic fluids, glycol water.
- FPM seals, compatible with:  
Synthetic fluids type HS-HFDR-HFDS-HFDU.

# Series EM1 - A

## Instructions for using gauge isolators series: EM1 "A"



- 1 Button not pressed: pressure gauge isolated.
- 2 Button pressed: pressure gauge reading.
- 3 Button pressed and turned (either to left or right): button remains in position and pressure gauge measures pressure continuously.
- 4 To isolate the pressure gauge from pressure reading, turn the button until it returns to the not pressed position.

### EM1-A (Materials)

- 1 - Body: Cast iron
- 2 - Pin: Steel
- 3 - Seals: NBR - FPM
- 4 - Knob/Cover: Nylon
- 5 - Stop ring: Steel
- 6 - Spring: Steel
- 7 - Nameplate: Aluminium
- 8 - Nut-Screw: Galvanised steel

### Weight

EM1-A: 0,410 Kg

## Ordering information

### Pressure gauge isolator EM1

Example: EM1



#### 1 - Mounting type

A Panel mounting with hex nut

#### 3 - Seal

A NBR  
 V FPM

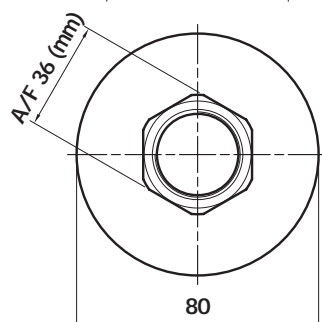
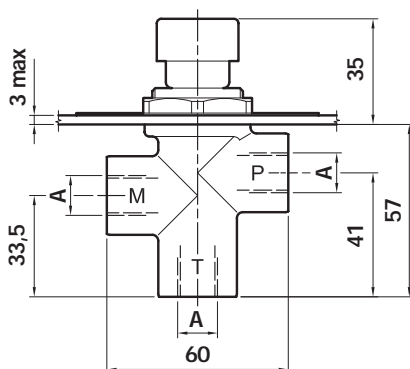
#### 2 - Connections

G1 G 1/4"  
 G2 1/4" NPT  
 G3 SAE 5 (1/2" 20 UNF)

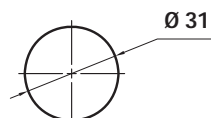
#### 4 - Options

P01 MP Standard

## Dimensions

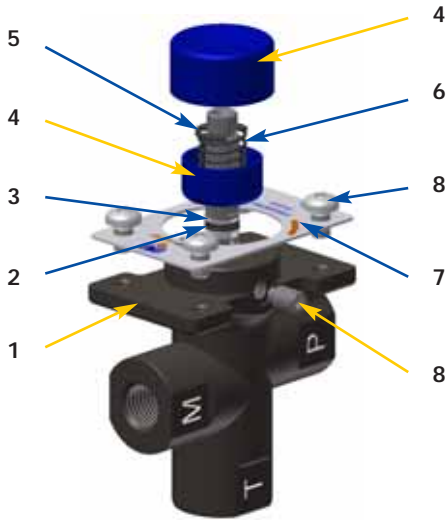


### Mounting holes



Type	A
G1	G 1/4"
G2	1/4" NPT
G3	SAE 5 (1/2" 20 UNF)

# Series EM1 - B



### EM1-B (Materials)

- 1 - Body: Cast iron
- 2 - Pin: Steel
- 3 - Seals: NBR - FPM
- 4 - Knob/Cover: Nylon
- 5 - Stop ring: Steel
- 6 - Spring: Steel
- 7 - Nameplate: Aluminium
- 8 - Nut-Screw: Galvanised steel

### Weight/Mounting type

EM1-B: 0,440 Kg

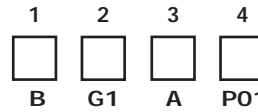
### Specifications for using gauge isolators series: EM1 "B"

- 1 Button not pressed: pressure gauge isolated.
- 2 Button pressed: pressure gauge reading.
- 3 Button pressed and turned (either to left or right): button remains in position and pressure gauge measures pressure continuously.
- 4 To isolate the pressure gauge from pressure reading, turn the button until it returns to the not pressed position.

## Ordering information

### Pressure gauge isolator EM1

Example: EM1



#### 1 - Mounting type

B Panel mounting with screws

#### 2 - Connections

- G1 G 1/4"
- G2 1/4" NPT
- G3 SAE 5 (1/2" 20 UNF)

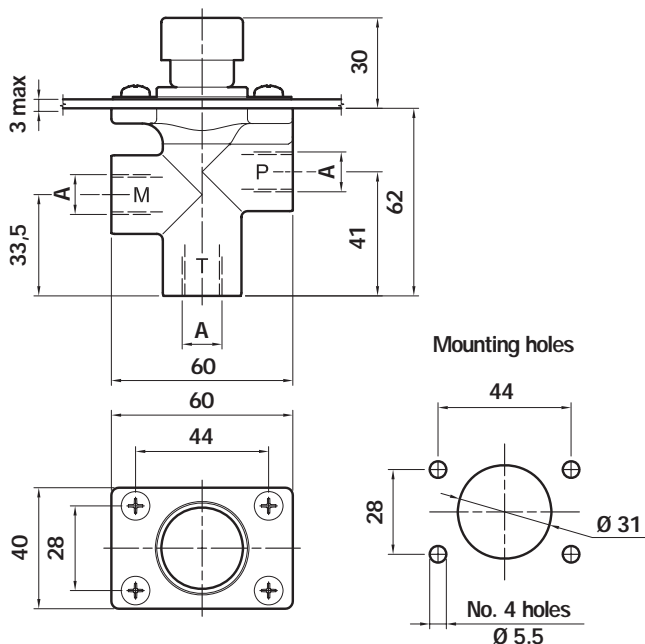
#### 3 - Seal

- A NBR
- V FPM

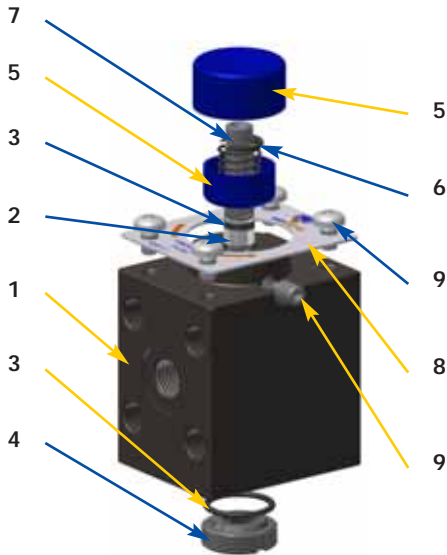
#### 4 - Options

PO1 MP Standard

## Dimensions



Type	A
G1	G 1/4"
G2	1/4" NPT
G3	SAE 5 (1/2" 20 UNF)

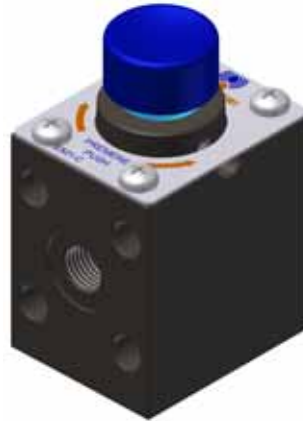


EM1-C (Materials)

- 1 - Body: Cast iron
- 2 - Pin: Steel
- 3 - Seals: NBR - FPM
- 4 - Plug: Anodised Aluminium
- 5 - Knob/Cover: Nylon
- 6 - Stop ring: Steel
- 7 - Spring: Steel
- 8 - Nameplate: Aluminium
- 9 - Screw: Galvanised steel

Weight

EM1-C: 1,0 Kg



Instructions for using gauge isolators series:  
EM1 "C"

- 1 Button not pressed: pressure gauge isolated.
- 2 Button pressed: pressure gauge reading.
- 3 Button pressed and turned (either to left or right): button remains in position and pressure gauge measures pressure continuously.
- 4 To isolate the pressure gauge from pressure reading, turn the button until it returns to the not pressed position.

Ordering information

Pressure gauge isolator  
EM1

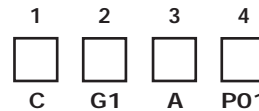
Example: EM1

1 - Mounting type

**C** Universal

2 - Connections

- G1** G 1/4"
- G2** 1/4" NPT
- G3** SAE 5 (1/2" 20 UNF)



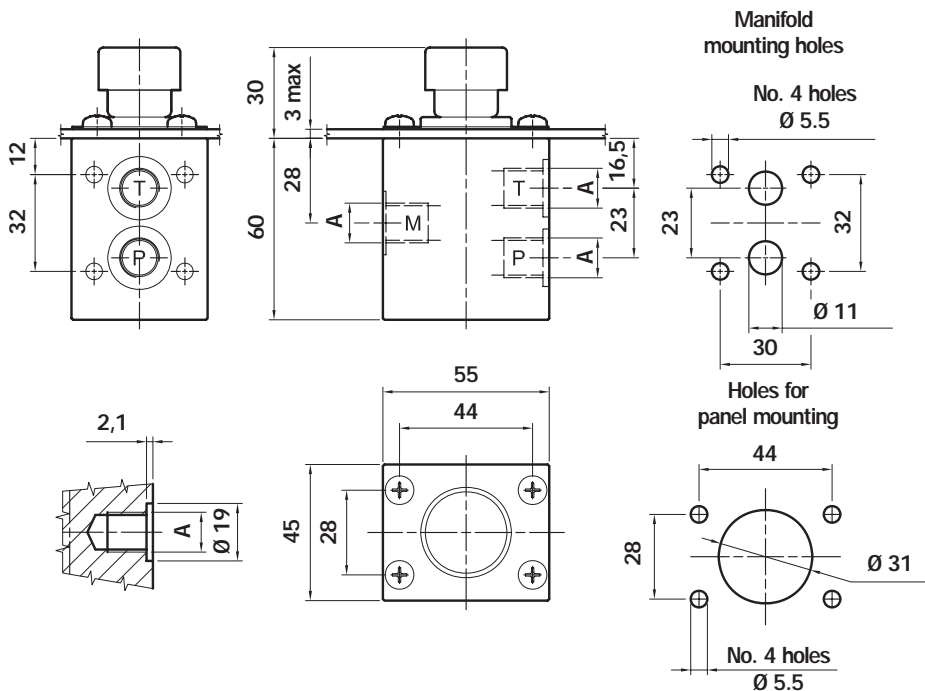
3 - Seal

- A** NBR
- V** FPM

4 - Options

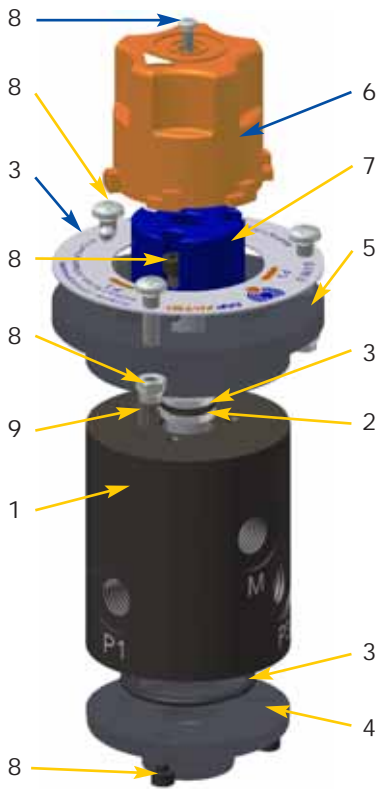
- PO1** MP Standard

Dimensions



Type	A
G1	G 1/4"
G2	1/4" NPT
G3	SAE 5 (1/2" 20 UNF)

# Series SVM



SVM (Materials)

- 1 - Body: Cast iron
- 2 - Pin: Steel
- 3 - Seals: NBR - FPM
- 4 - Cover: Anodised Aluminium

5 - Flange: Anodised Aluminium

- 6 - Knob: Nylon
- 7 - Ringnut: Nylon
- 8 - Screws-Nuts: Galvanised/Phosphated steel
- 9 - Pin: Steel

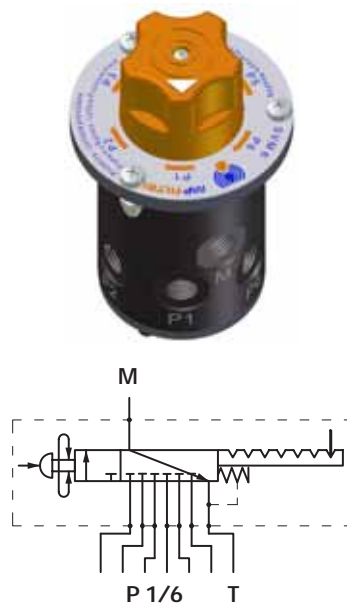
Weights

SVM 3: 1,547 Kg

SVM 6: 1,507 Kg

Hydraulic schematics

SVM 6

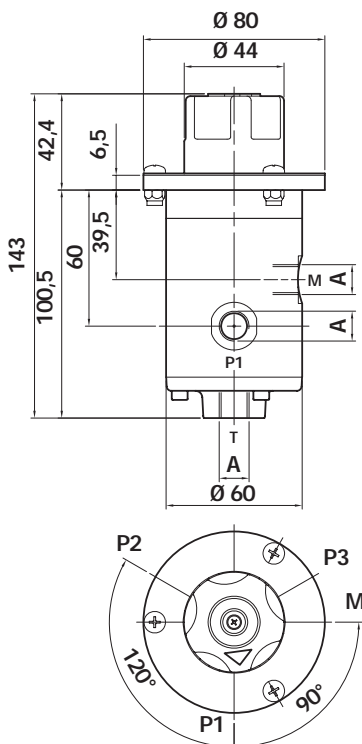


SVM 3

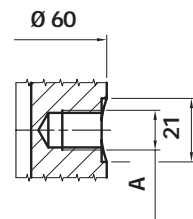
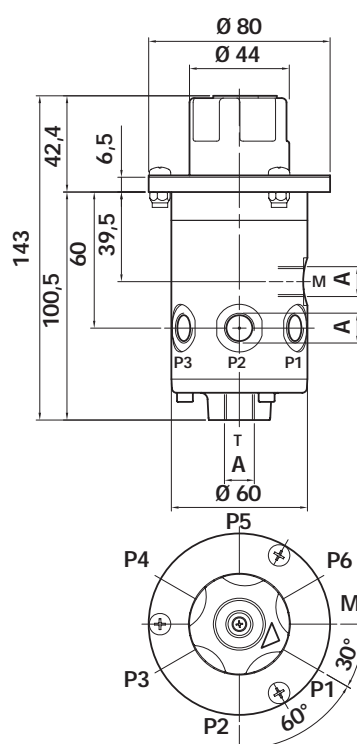


## Dimensions

SVM 3

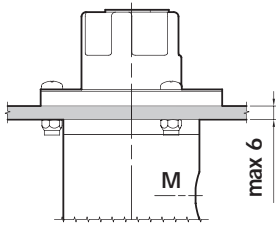


SVM 6

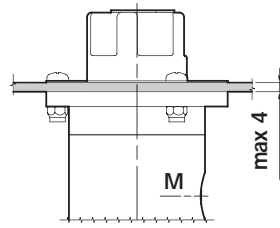
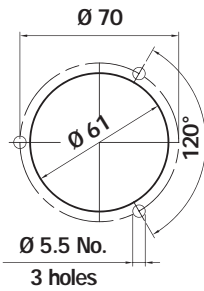


Type	A
G1	G 1/4"
G2	1/4" NPT
G3	SAE 5 (1/2" 20 UNF)

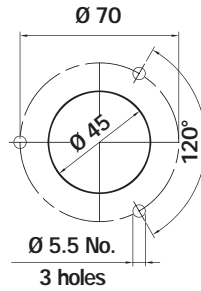
## Mounting holes



Type A



Type B



## Instructions for using gauge isolators series: SVM

- 1 Knob not pressed: pressure gauge isolated.
- 2 Turn the knob to select the pressure value.
- 3 Knob pressed: pressure gauge reading.
- 4 Knob pressed and turned: the knob remains in position and pressure gauge measures pressure continuously.
- 5 To isolate the pressure gauge from pressure reading, turn the button until it returns to the not pressed position.



## Ordering information

### Selector for pressure gauge SVM

Example: SVM

	1	2	3	4
	<input type="checkbox"/>	<input type="checkbox"/>	<input type="checkbox"/>	<input type="checkbox"/>
	6	G1	A	P01

#### 1 - Number of connections

<input type="checkbox"/>	3	Pressure ports
<input type="checkbox"/>	6	Pressure ports

#### 2 - Connections

<input type="checkbox"/>	G1	G 1/4"
<input type="checkbox"/>	G2	1/4" NPT
<input type="checkbox"/>	G3	SAE 5 (1/2" 20 UNF)

#### 3 - Seal

<input type="checkbox"/>	A	NBR
<input type="checkbox"/>	V	FPM

#### 4 - Options

<input type="checkbox"/>	P01	MP Standard
--------------------------	-----	-------------