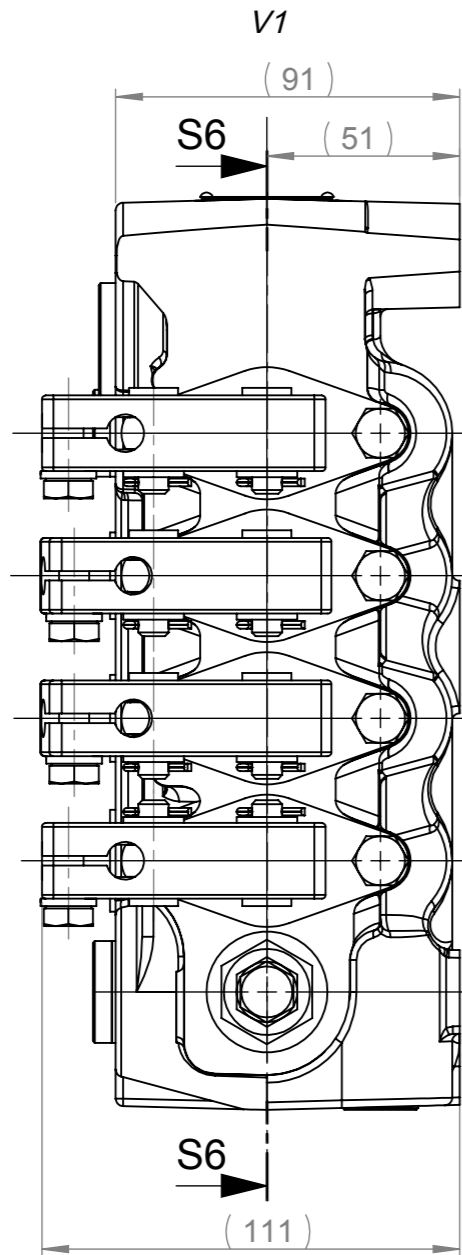
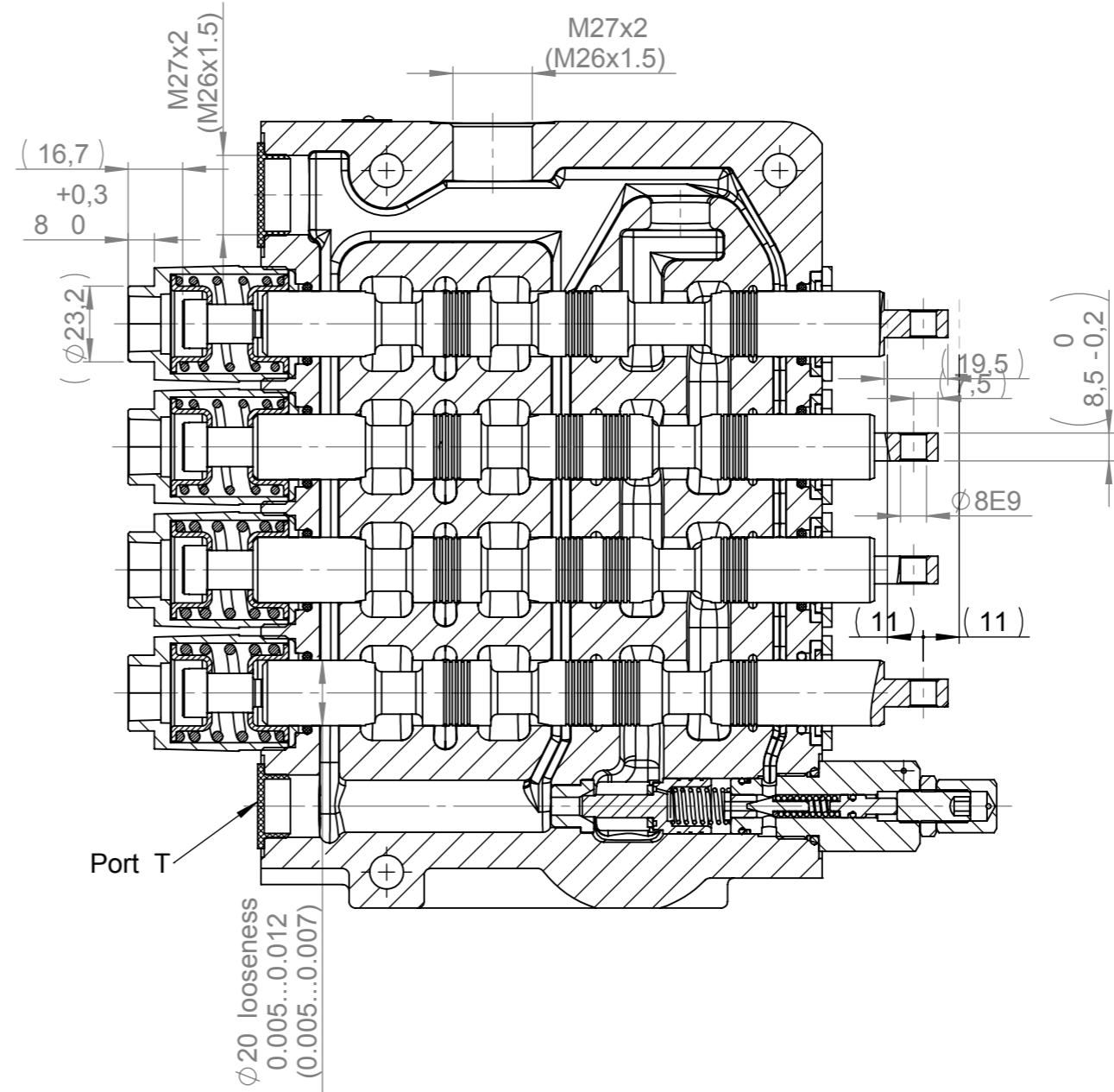


- 1. Technical parameters
- 1.1 Nominal flow- 80 dm³/min
- 1.2 Nominal pressure- 25MPa

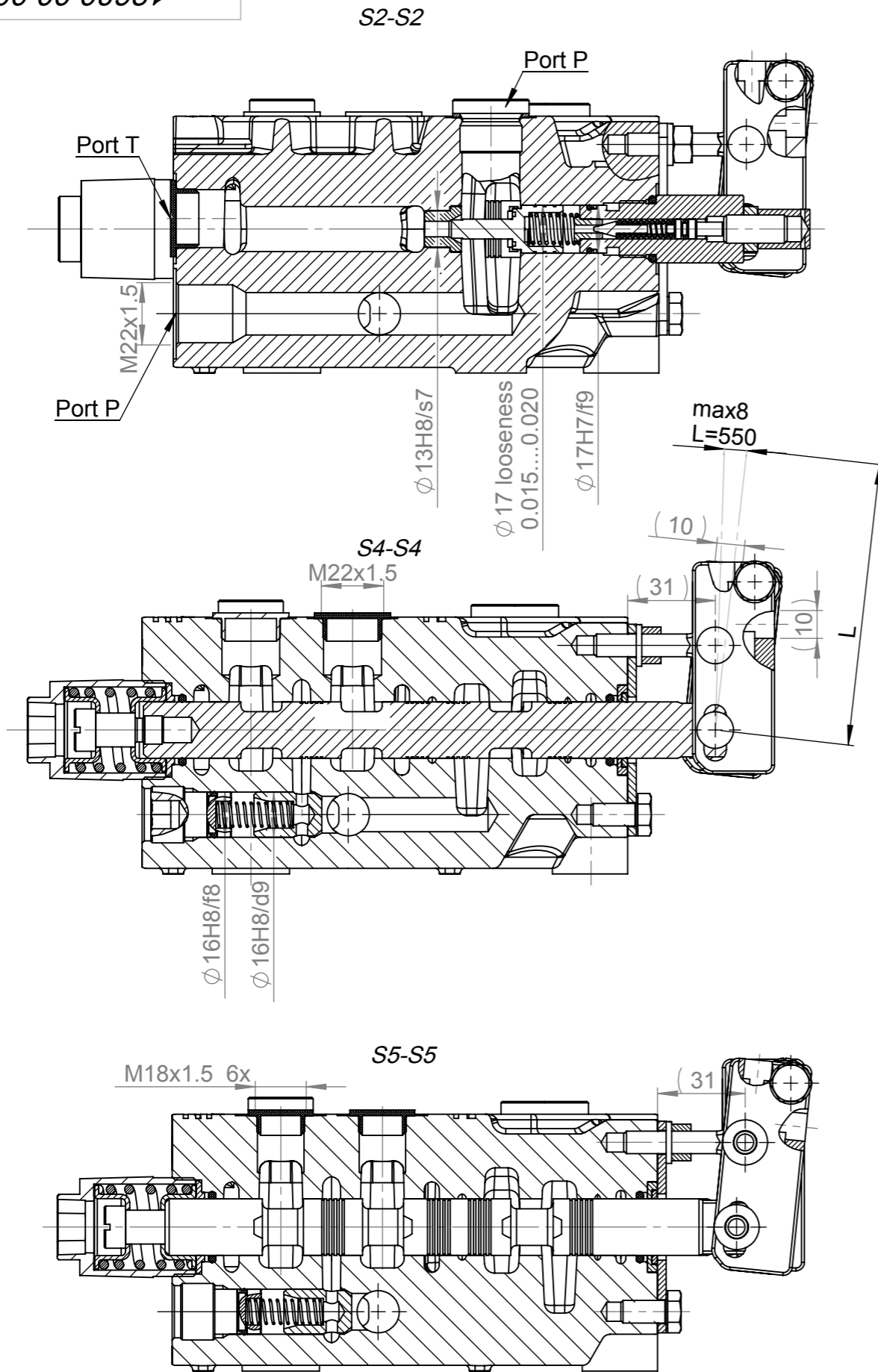
Drawn By	Stoiev	29.09.2008	sheet	1/4	material	
CheckBy	Todorov		scale	1:2		
					description	maca/weight kg
					Monoblock PX80	19.326
					№	
					Badestnost AD	
					№	
					12680.00.00.00	



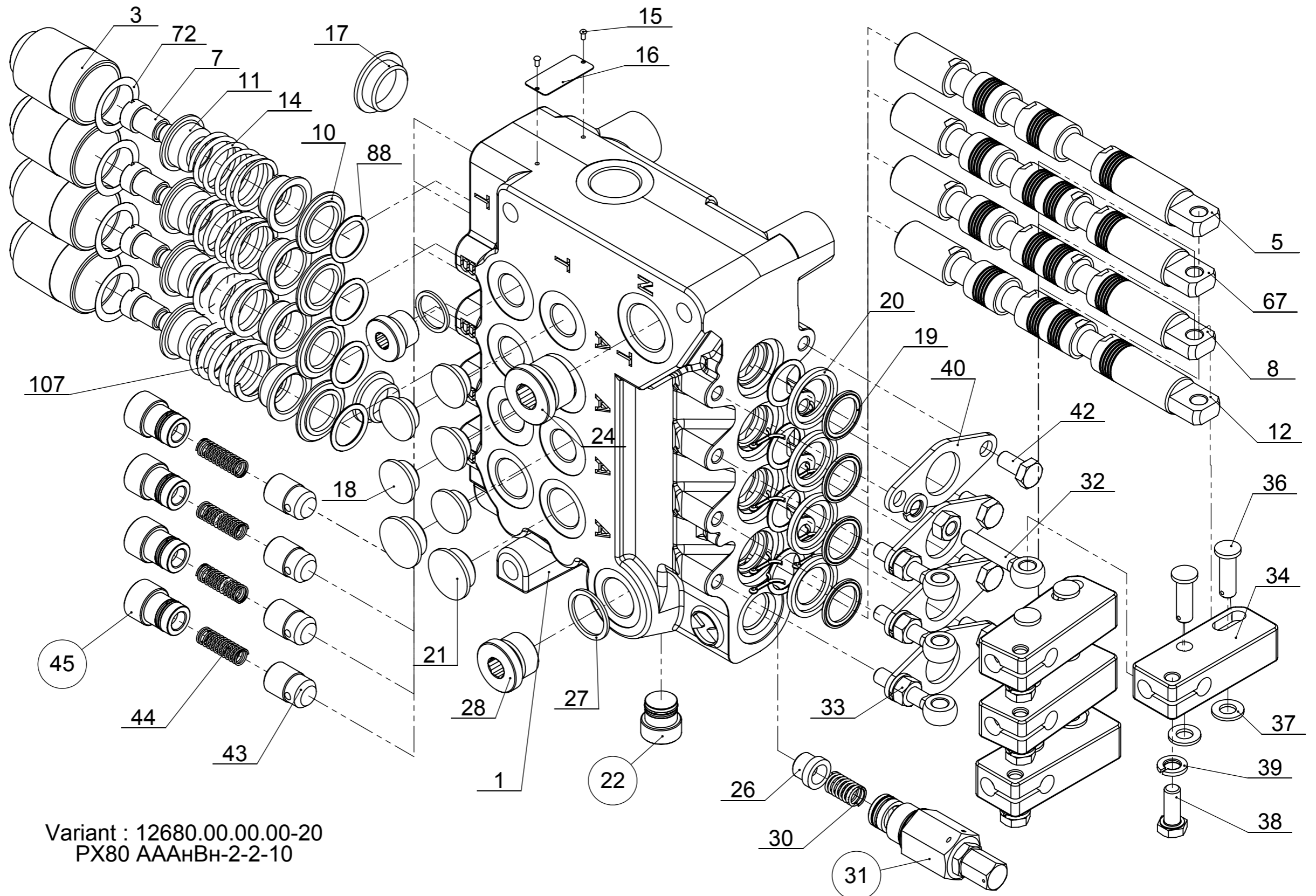
S6-S6
Variant without details pos.34, 35, 37, 41



Drawn By	Stoev	29.09.2008	sheet	2/4	material	
CheckBy	Todorov		scale	1:2		
					description	maca/weight kg
					Monoblock PX80	19.326
					№	
					Badestnost AD	12680.00.00.00



Drawn By	Stoev	29.09.2008	sheet	3/4	material	
CheckBy	Todorov		scale	1:2		
					description	maca/weight kg
					Monoblock PX80	19.326
					№	
					Badestnost AD	
					№	
					12680.00.00.00	



Variant : 12680.00.00.00-20
PX80 AAAHBH-2-2-10

Drawn By	Stoev	29.09.2008	sheet	4/4	material	
CheckBy	Todorov		scale	1:2		
					description	
					Monoblock PX80	maca/weight kg 19.326
					№	
					Badestnost AD	12680.00.00.00