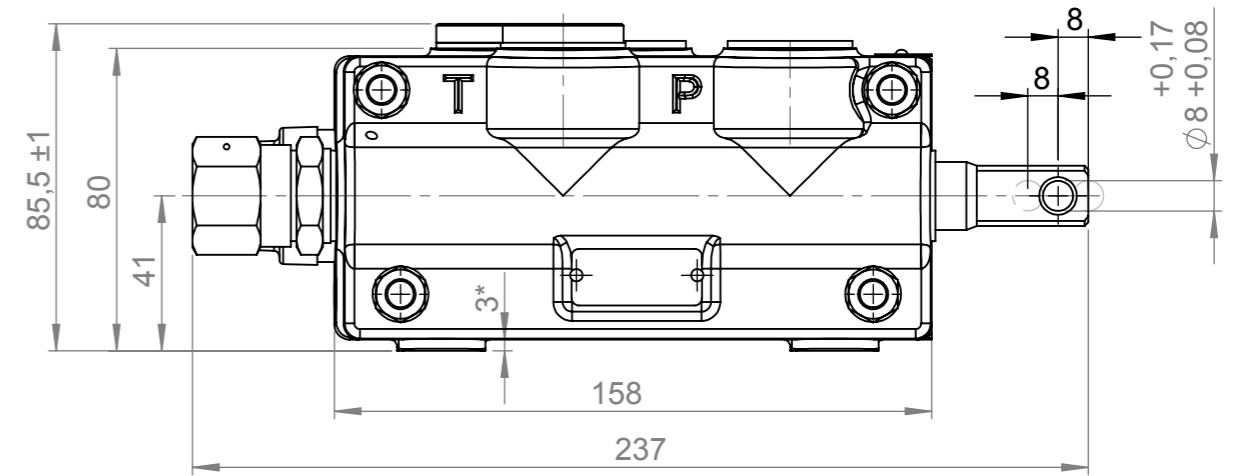
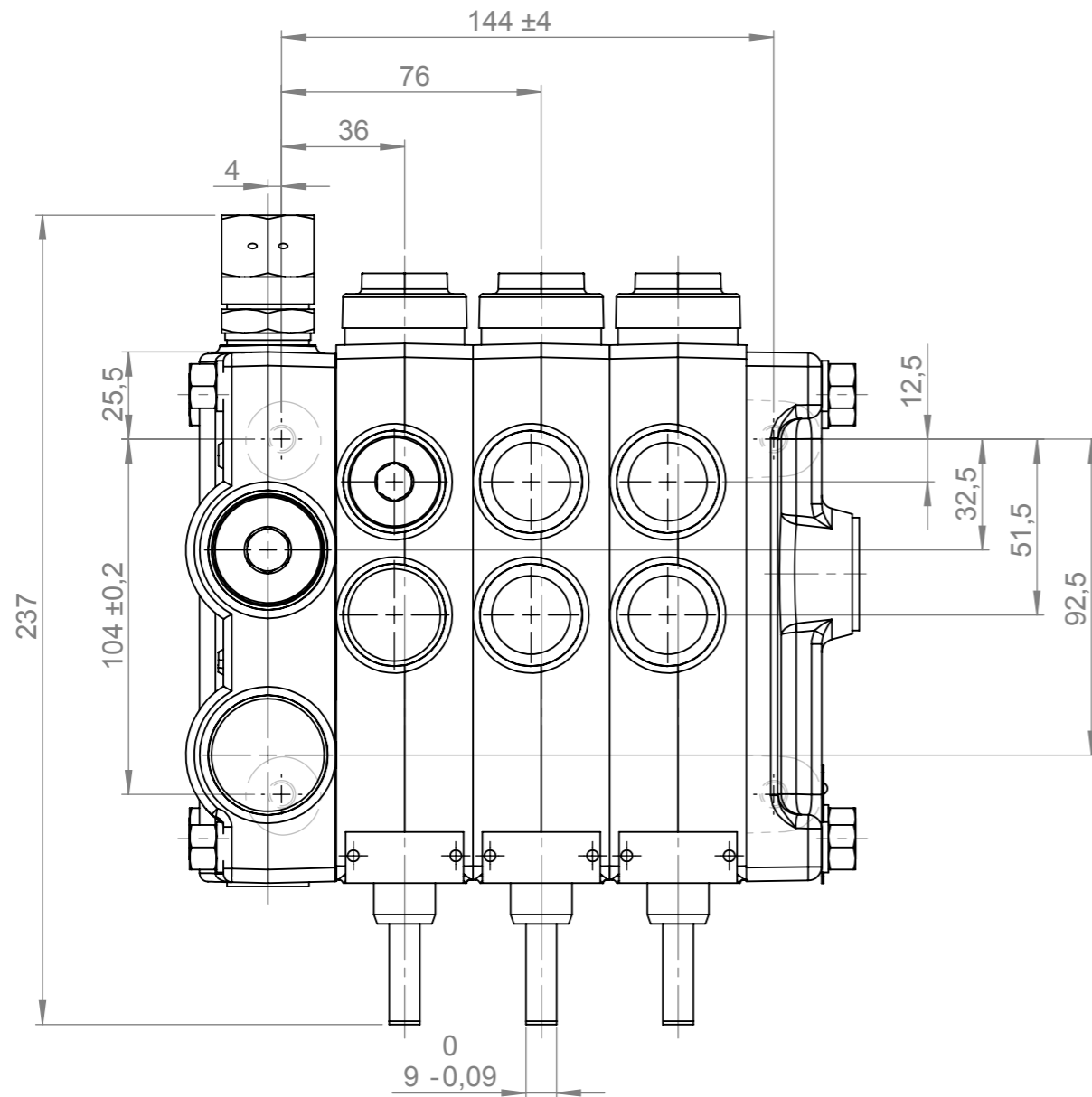
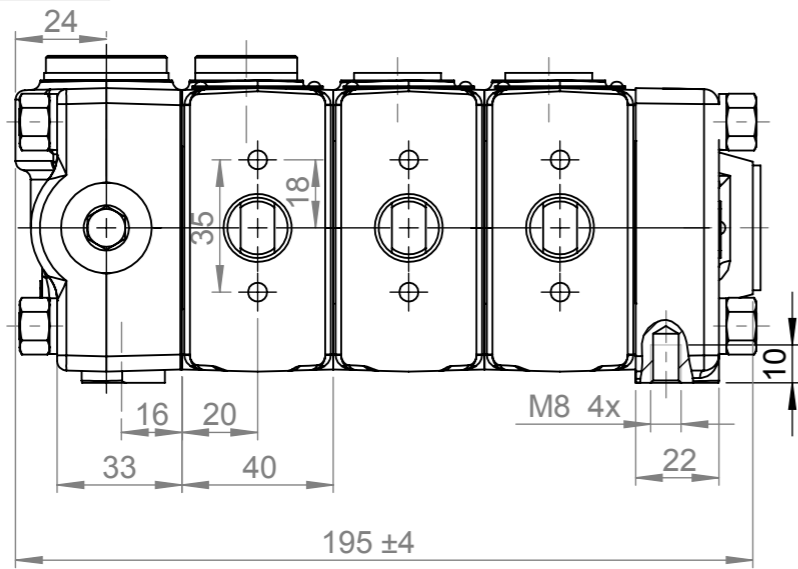


12972.00.00



1. Technical parameters

1.1. Nominal flow- 60 dm³/min

1.2. Nominal pressure- 20 MPa

1.3. Pressure range from 7 to 20 MPa

2.1. Way of ordering

-Type

-Inlet section

-Section

-Outlet

2.2. In one valve all sections should be with one and the same hydraulic scheme of distribution- parallel or series

2.3. All dimensions marked with * are for check up.

Drawn By	Stoiev	14.10.2008	sheet	1/2	material	
CheckBy	Todorov		scale	1:2		
					description	weight kg
					PX 346 4БНСС3	11.713
					№	
					Badestnost AD	
					№	12972.00.00

