

MPI



Maximum pressure 10 bar
Flow rates to 3000 l/min

Filter housing (Materials)

- Insert assembly: Nylon (only for: MPI 100)
Aluminium (all the other)
- Diffuser: Zinc Plated steel
- Valve: Steel

Pressure

- Working pressure: 10 bar (1 MPa)

Temperature

- From -25 °C to +110 °C

Bypass valve

- Opening pressure 1,75 bar ±10%
- Opening pressure 2,5 bar ±10% (excluded for MPI 850)

Δp Elements type

- Series MR elements: 10 bar
- Oil flow from inside to outside.

Seals

- Standard NBR series A
- Optional FPM series V

MPI FILTERS ARE PROVIDED FOR VERTICAL MOUNTING

Weights (kg)

Length	1	2	3	4
• MPI 100	0,90	1,00	1,20	1,50
• MPI 250	2,20	2,50	2,90	4,30
• MPI 630	3,40	3,90	4,30	5,40
• MPI 850	15,2	18,2	21,2	25,2

Recommended maximum flow rate

- Pressure drop of filter assembly equal to Δp 0,5 bar.
- Oil kinematic viscosity 30 mm²/s (cSt).
- Density 0,86 kg/dm³.

Volumes (dm³)

Length	1	2	3	4
• MPI 100	0,90	0,90	1,20	1,60
• MPI 250	3,50	3,50	4,50	7,00
• MPI 630	5,80	7,40	9,50	11,4
• MPI 850	8,80	12,2	16,7	20,8

Compatibility (to ISO 2943)

- Housings/Diffuser compatible with:
Mineral oils, synthetic fluids.
Aqueous emulsions, water and glycol
(series W required).
- The filter elements are compatible with:
Mineral oils, synthetic fluids.
Aqueous emulsions, water and glycol
(series W required).
- NBR seals series A, compatible with:
Mineral oils, synthetic fluids.
Aqueous emulsions, water and glycol.
- FPM seals V series, compatible with:
Synthetic fluids type HS-HFDR-HFDS-HFDU

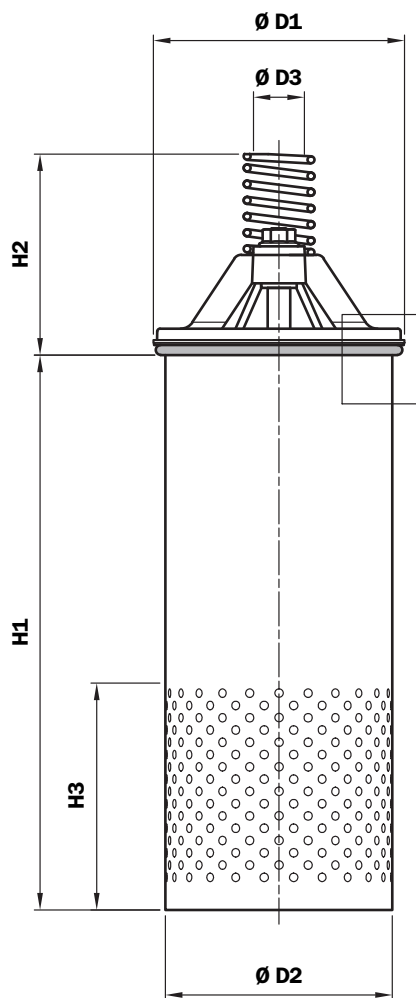
Filtration

	Length	A03	A06	A10	A16	A25	P10	P25	M25 - M60 - M90
MPI 100	1	26	29	72	80	106	160	185	280
	2	42	45	110	115	160	164	187	300
	3	63	72	130	155	175	215	245	300
	4	89	98	180	198	215	265	300	300
	5	115	125	200	218	240	280	300	300
MPI 250	1	92	100	205	245	300	330	370	700
	2	120	145	310	410	420	462	517	700
	3	185	215	415	402	500	550	616	700
	4	255	295	550	615	750	825	700	700
MPI 630	1	160	198	360	410	510	561	628	1200
	2	235	250	555	600	1025	1128	1200	1200
	3	325	370	730	770	1200	1200	1200	1200
	4	370	400	870	990	1200	1200	1200	1200
	5	610	690	1180	1200	1200	1200	1200	1200
MPI 850	1	770	1030	1240	1550	2230	2600	2650	3000
	2	1170	1520	1680	1740	2440	2684	2900	3000
	3	1480	1910	1990	2010	3000	3000	3000	3000
	4	1660	2080	2300	2360	3000	3000	3000	3000

Flow rate l/min

Dimensions

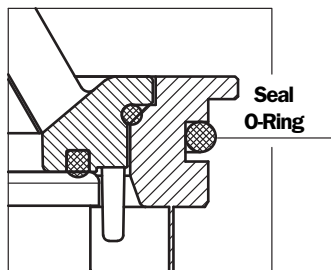
MPI With diffuser



Version MPI 100



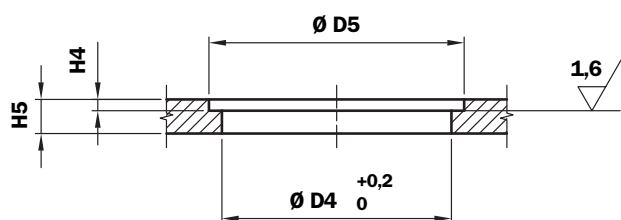
Version MPI 250 - 630 - 850



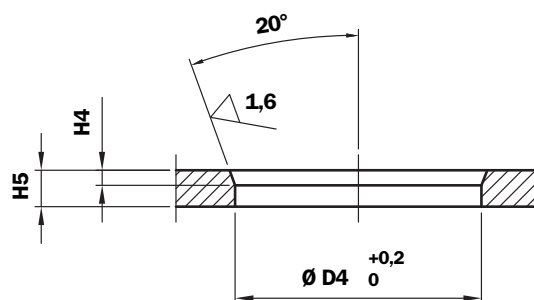
Type	H1 mm	H2 mm	H3 mm	H4 mm	H5 mm
MPI 100-1	198				
MPI 100-2	198				
MPI 100-3	248	62	80	4	12
MPI 100-4	348				
MPI 100-5	448				
MPI 250-1	266				
MPI 250-2	266	81	90	4	15
MPI 250-3	336				
MPI 250-4	524				
MPI 630-1	298				
MPI 630-2	378				
MPI 630-3	478	103	110	5	15
MPI 630-4	568				
MPI 630-5	868				
MPI 850-1	427		150		
MPI 850-2	642	145	150	5	17
MPI 850-3	922		250		
MPI 850-4	1187		250		

Type	Ø D1	Ø D2	Ø D3	Ø D4	Ø D5
MPI 100-1					
MPI 100-2					
MPI 100-3	88,5	80	18	81	90
MPI 100-4					
MPI 100-5					
MPI 250-1					
MPI 250-2	155	132	25	145	-
MPI 250-3					
MPI 250-4					
MPI 630-1					
MPI 630-2					
MPI 630-3	185	165	25	178	-
MPI 630-4					
MPI 630-5					
MPI 850-1					
MPI 850-2	260	250	40	250,5	-
MPI 850-3					
MPI 850-4					

Filter seat
MPI 100

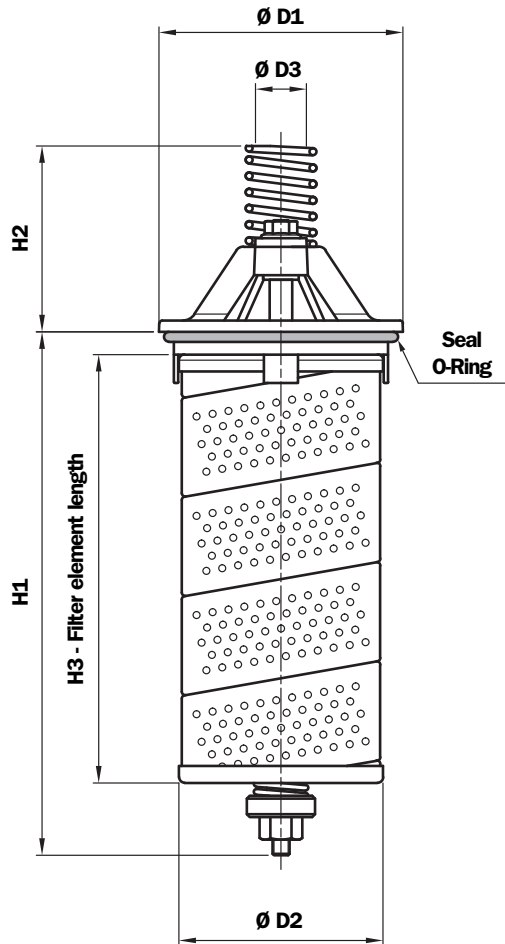


Filter seat
MPI 250 - 630 - 850



MPI

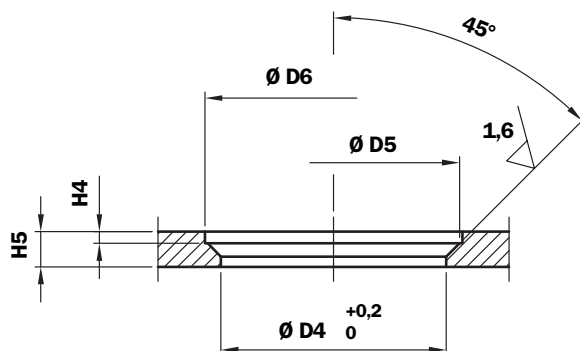
Without diffuser



Type	H1 mm	H2 mm	H3 mm	H4 mm	H5 mm
MPI 100-1	141		110		
MPI 100-2	185		150		
MPI 100-3	235	57	200	4	12
MPI 100-4	335		300		
MPI 100-5	435		400		
MPI 250-1	193		140		
MPI 250-2	243	82	190	5	12
MPI 250-3	313		260		
MPI 250-4	516		463		
MPI 630-1	275		210		
MPI 630-2	355		290		
MPI 630-3	455	105	390	7	15
MPI 630-4	540		478		
MPI 630-5	841		779		
MPI 850-1	405		327		
MPI 850-2	620	145	542	8	15
MPI 850-3	900		819		
MPI 850-4	1165		1090		

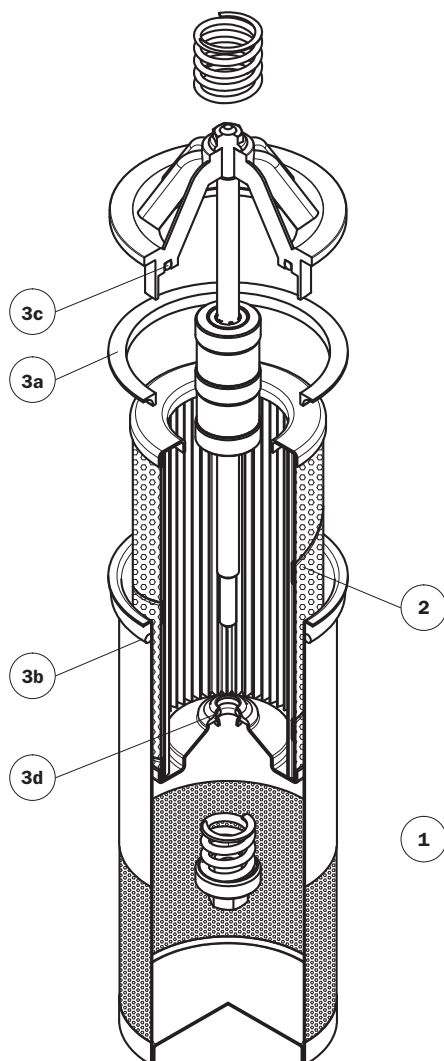
Type	$\varnothing D1$	$\varnothing D2$	$\varnothing D3$	$\varnothing D4$	$\varnothing D5$	$\varnothing D6$
MPI 100-1						
MPI 100-2						
MPI 100-3	87	72	18	76	86	88
MPI 100-4						
MPI 100-5						
MPI 250-1						
MPI 250-2	125	106	25	117	123,5	126
MPI 250-3						
MPI 250-4						
MPI 630-1						
MPI 630-2						
MPI 630-3	150	126	25	139	149	151
MPI 630-4						
MPI 630-5						
MPI 850-1						
MPI 850-2	230	203	40	217	227	231
MPI 850-3						
MPI 850-4						

Filter seat

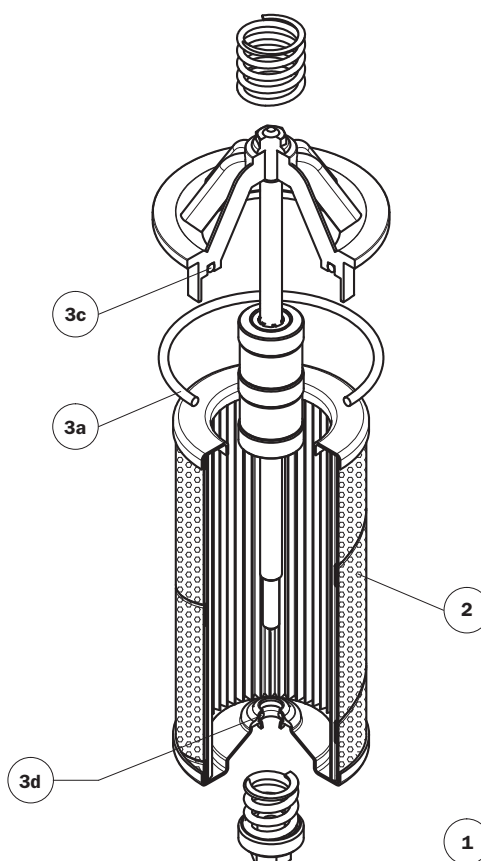


Spare parts

With diffuser

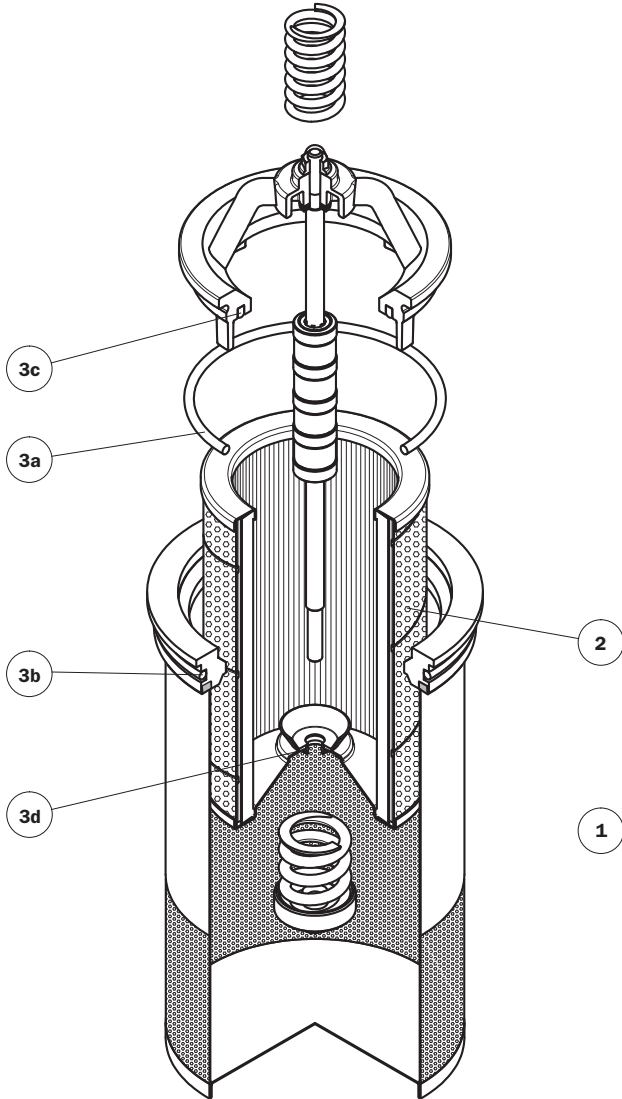


Without diffuser

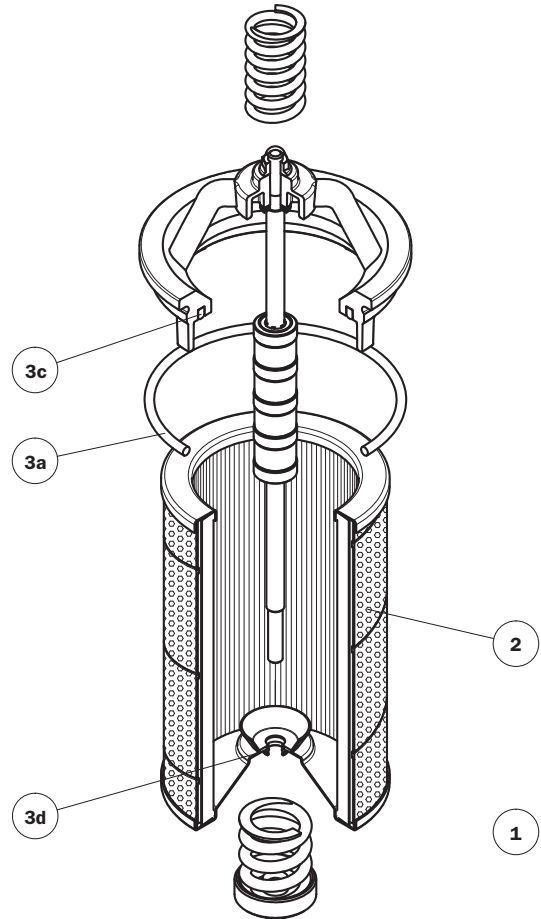


Item	Description	Q.ty	FILTER Series MPI 100	
1	Filter assembly	1	See order table	
2	Filter element	1	See order table	
3	Seal Kit	1	NBR 02050145	FPM 02050146
3a	Insert assembly external seal version with diffuser	1	01026554	01026560
	Insert assembly external seal version without diffuser	1	O-R 4275 Ø 69,44 x 3,53	
3b	Diffuser seal	1	O-R 4312 Ø 78,97 x 3,53	
3c	Insert assembly	1	02019052	02019053
3d	Filter element seal	1	O-R Metric Ø 7,5 x 3	

With diffuser



Without diffuser

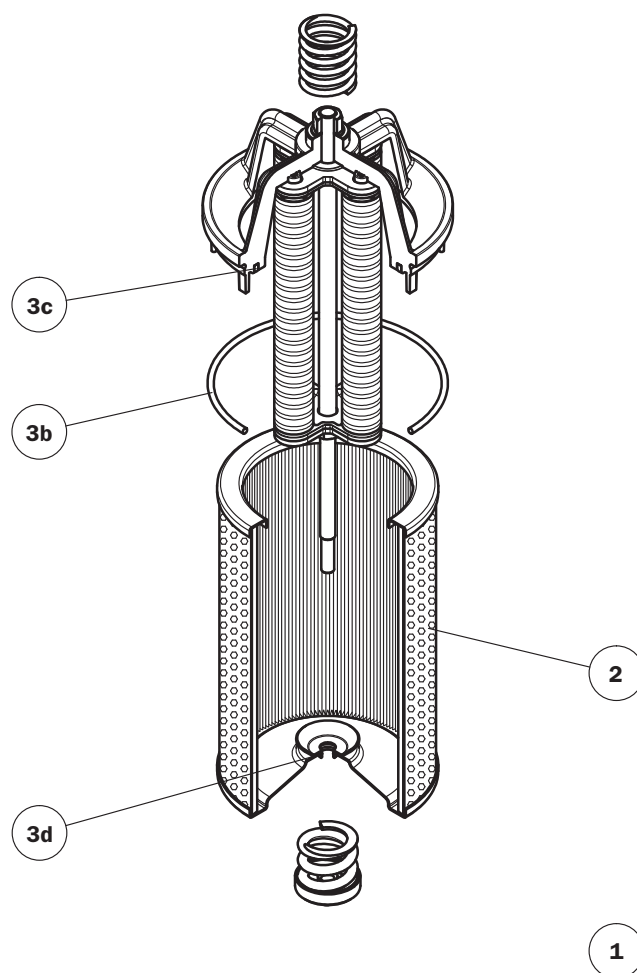
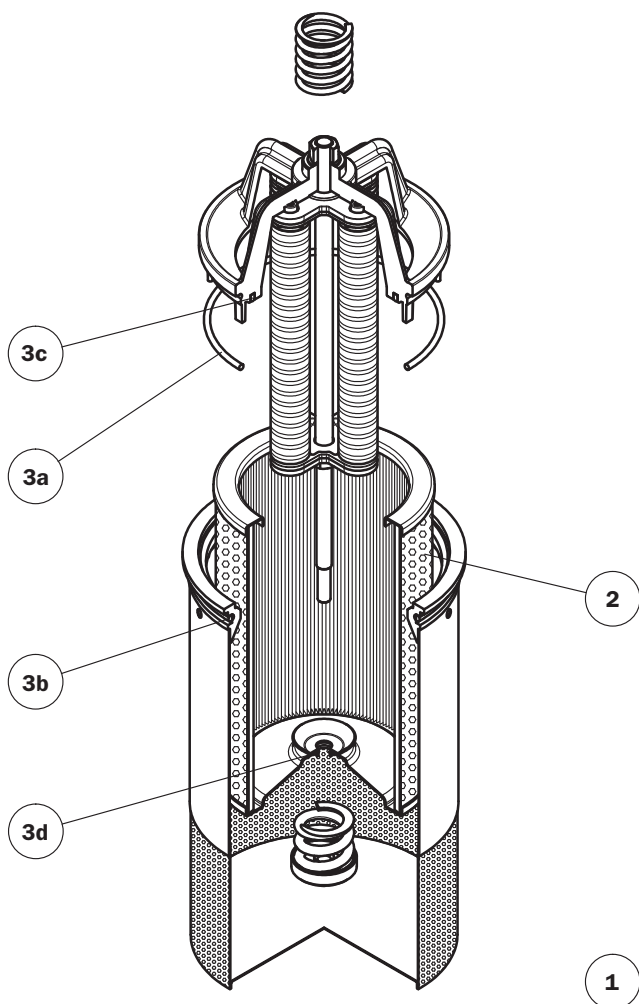


Item	Description	Q.ty	FILTER Series MPI 250		FILTER Series MPI 630	
			NBR	FPM	NBR	FPM
1	Filter assembly	1	See order table		See order table	
2	Filter element	1	See order table		See order table	
3	Seal Kit	1	02050147	02050148	02050112	02050113
3a	Insert assembly external seal	1	O-R 4437 Ø 110,70 x 3,53		O-R 210 Ø 133,40 x 5,34	
3b	Diffuser seal	1	O-R 210 Ø 133,40 x 5,34		O-R 6645 Ø 164,47 x 5,33	
3c	Insert assembly internal seal	1	01026217	01026220	01026228	01026229
3d	Filter element seal	1	O-R 112 Ø 9,92 x 2,62		O-R 112 Ø 9,92 x 2,62	

Spare parts

With diffuser

Without diffuser



Item	Description	Q.ty	FILTER Series MPI 850	
1	Filter assembly	1	See order table	
2	Filter element	1	See order table	
3	Seal Kit	1	NBR 02050114	FPM 02050115
3a	Insert assembly external seal	1	O-R Metric Ø 209,30 x 5,7	
3b	Diffuser seal	1	O-R 8925 Ø 234,30 x 6,99	
3c	Insert assembly internal seal	1	01026248	01026249
3d	Filter element seal	1	O-R 117 Ø 13,10 x 2,62	

Ordering information MPI

Filter assembly

MPI

Example: MPI

1	2	3	4	5	6	7
<input type="text"/>	<input type="text"/>	<input type="text"/>	<input type="text"/>	<input type="text"/>	<input type="text"/>	<input type="text"/>
100	1	C	D	A	A25	P01

Filter element

MR

Example: MR

1	2	6	5	7
<input type="text"/>	<input type="text"/>	<input type="text"/>	<input type="text"/>	<input type="text"/>
100	1	A25	A	P01

1 - Style

Filter

Filter element

2 - Filter length

<input type="text" value="1"/>	<input type="text" value="2"/>	<input type="text" value="3"/>	<input type="text" value="4"/>	<input type="text" value="5"/>
<input type="text" value="1"/>	<input type="text" value="2"/>	<input type="text" value="3"/>	<input type="text" value="4"/>	
<input type="text" value="1"/>	<input type="text" value="2"/>	<input type="text" value="3"/>	<input type="text" value="4"/>	<input type="text" value="5"/>
<input type="text" value="1"/>	<input type="text" value="2"/>	<input type="text" value="3"/>	<input type="text" value="4"/>	

3 - By-pass valve

Without bypass
 1,75 bar
 2,5 bar (not available for filter MPI 850)

4 - Execution

Without diffuser and with magnetic column
 With diffuser and with magnetic column
 Without diffuser and without magnetic column
 With diffuser and without magnetic column

5 - Filter seals & Treatment

NBR
 FPM
 NBR, Insert assembly anodized.
 Filter element compatible with fluid HFA, HFB, HFC
 (only for filter element type Axx and Mxx)
 FPM, Insert assembly anodized.
 Filter element compatible with fluid HFA, HFB, HFC
 (only for filter element type Axx and Mxx)

6 - Filter element

<input type="text" value="A03"/>	Inorganic microfibre 6 μ	} Absolute filtration $\beta_x(c) \geq 1000$
<input type="text" value="A10"/>	Inorganic microfibre 10 μ	
<input type="text" value="A25"/>	Inorganic microfibre 25 μ	
<input type="text" value="M25"/>	Wire mesh	} Nominal Filtration
<input type="text" value="M60"/>	Wire mesh	
<input type="text" value="M90"/>	Wire mesh	
<input type="text" value="P10"/>	Resin impregnated paper	} Nominal Filtration
<input type="text" value="P25"/>	Resin impregnated paper	

7 - Option

MP Filtri standard