

R24 GM2 & GM3 performance data

R24 Gearbox Ratio/Rapp.Riduzione

6,231:1

Motor model	GM2				GM3	
Nominal Displ./Cilindrata Nominale	2700	3000	3500	3900	4300	5000
Total displacement /cilindrata tot. cc/rev	2648	3072	3521	3882	4299	4935
Equiv. Specific Torque/Coppia Specifica Equivalente Nm/bar	41.37	47.99	54.99	60.64	67.16	77.09
Peak pressure /pressione di picco bar	350	350	300	280	350	350
Max continuous torque/massima coppia continua Nm	10342	11996	13749	15160	16790	18000 at 233bar
Max torque at max pressure /massima coppia all massima pressione Nm	14479	16795	16498	16979	18000 at 268 bar	18000 at 233bar
Max speed (on gearbox) /massima velocità (all'uscita rid.) r/min	72	70	68	64	64	64
max speed to be revised according distributor and valves flow capability						
Peak Power /potenza di picco kW	59				80	

Approximate weight: 120 Kg./160 Kg
 Motor casing oil capacity: 2 lt/ 4,5 lt
 Max. casing pressure: 1 bar continuous
 5 Bar Peak
 for higher pressure pls consult SAI tech. Dept.
 Max.speed to be revised according to distributor's and valves' flow capability.

Peso approssimato: 120 Kg/ 160 Kg
 Capacità olio del corpo motore: 2 lt/ 4,5 lt
 Max.pressione in carcassa: 1 bar Continuo
 5 bar Picco
 Per pressione più elevate consultare l'uff. Tecnico SAI
 Velocità massima da adattare alla portata del distributore e delle valvole.

Product components

R24 gearbox

GM2/GM3 Hydraulic motor series

standard fitting with D40 distributor *.

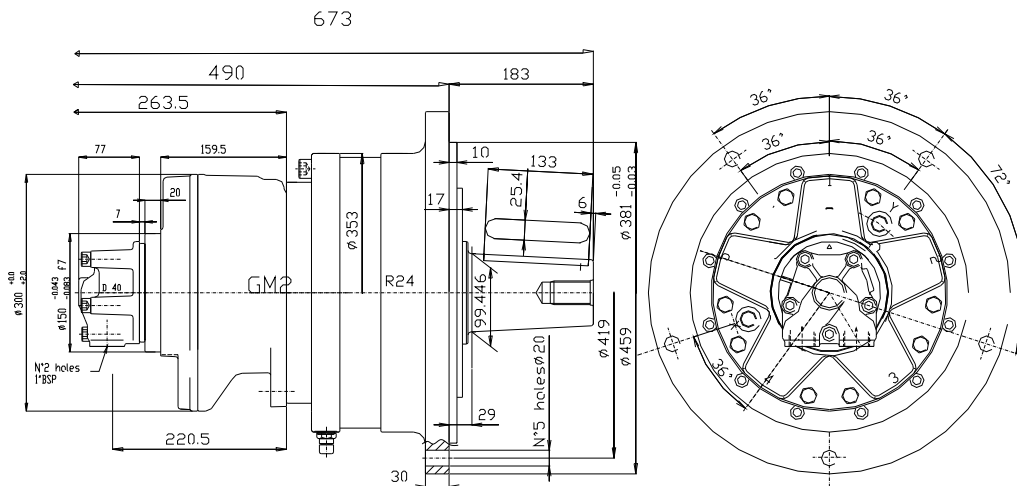
Features

Internal connection between case and return line allow the unit to be installed without drain line for systems wit max return pressure up to 25 bar.

Stainless steel sleeve on shaft seal easy to replace without disassemble the gearbox

High radial load capability and long life bearing

Lighter than direct drive motor



* Available also in the version with integrated valve block, see here below schema.

