



# Stainless Steel Filter

## FZP – Series

- *Stainless filter*
- *Flow rate up to 100 l/min*
- *Threaded Connections*
- *By-pass options*
- *Max pressure 350 bar*
- *Indicator:*
  - *Visual, Visual-Electrical, Electrical, Electronic*

### Technical Data

#### Materials

See FZP in main filter brochure

#### Fluid Compatibility

- Mineral Oils
- Synthetic fluids
- Water based emulsions
- Phosphate esters

### Technical Specification

**MPFILTRI®**



Italy – MP FILTRI S.p.A.

Tel: 02 95703.1

Email: sales@mpfiltri.com

Fax: 02 95741497-95740188

U.K. – MP FILTRI UK Ltd.

Tel: +44.01451 822522

Email: sales@mpfiltri.co.uk

Fax: +44.01451 822282

Due to a company policy of continuing improvement, MP Filtri reserve the right to alter technical specifications without prior notice.

France – MP FILTRI FRANCE

Email: mpfiltrifrance@wanadoo.fr

Tel: +33.04-50-71-64-80

Fax: +33.04-50-71-73-32

Germany – MP FILTRI D GmbH

Email: mpfiltrink@aol.com

Tel: +49.06806 85022.0

Fax: +49.06806 8502218

U.S.A. – MP FILTRI U.S.A. Inc.

Email: mpfiltriusa@aol.com

Tel: +1.215 529 1300

Fax: +1.215 529 1902

Canada – MP FILTRI CANADA Inc.

Email: mail@mpfiltricanada.mcom

Tel: +1.905 303 1369

Fax: +1.905 303 7256

Russian Federation – MP FILTRI Russia

Email: sales@mpfiltrirussia.ru

P.O. Box 44

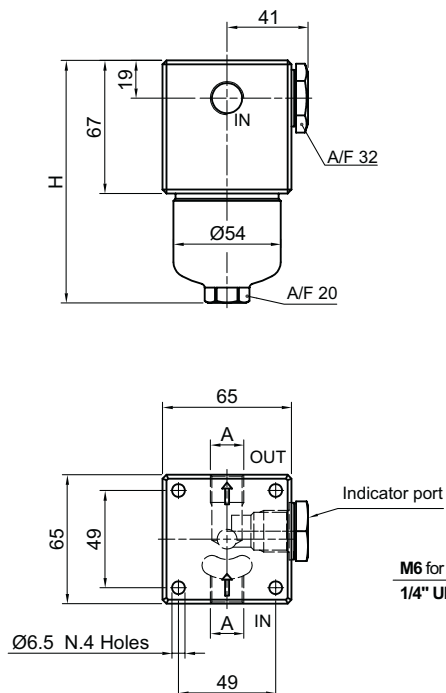
China – MP FILTRI China

Email: sales@mpfiltrichina.com

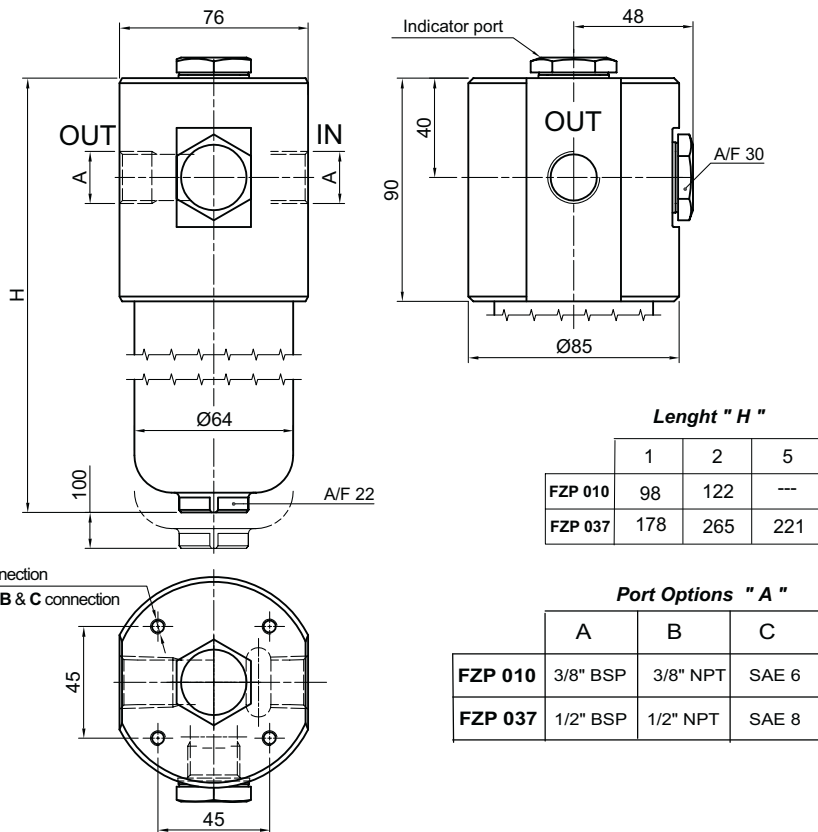
Tel: +86.21-57120700

Fax: +86.21-57127200

### FZP 010



### FZP 037



Lenght " H "

	1	2	5
FZP 010	98	122	---
FZP 037	178	265	221

Port Options " A "

	A	B	C
FZP 010	3/8" BSP	3/8" NPT	SAE 6
FZP 037	1/2" BSP	1/2" NPT	SAE 8

## Ordering information

**FZP**

**010**

**FZP**

**037**

#### Lengths

**010 = 1,2**  
**037 = 1,5,2**

#### Valve

**S** Without  
**B** With By-Pass  
(Only for size 037)

#### Seals

**A** NBR  
**V** Viton

#### Port Options (See table)

**A**  
**B**  
**C**

#### Filter Element

**A03** 3 Micron (Microfibre)  
**A06** 6 Micron (Microfibre)  
**A10** 10 Micron (Microfibre)  
**A16** 16 Micron (Microfibre)  
**A25** 25 Micron (Microfibre)  
**M25** 25 Micron (Wire Mesh)

#### Collapse pressure

**Z** 20 bar  
**U** 210 bar  
**T** 80 bar

#### Personalisation

**P01** MP Filtri Standard  
**Pxx** Customer request