



# Stainless Steel Filter

## FZP – Series

- *Stainless filter*
- *Flow rate up to 100 l/min*
- *Threaded Connections*
- *By-pass options*
- *Max pressure 350 bar*
- *Indicator:*
  - *Visual, Visual-Electrical, Electrical, Electronic*

### Technical Data

#### Materials

See FZP in main filter brochure

#### Fluid Compatibility

- Mineral Oils
- Synthetic fluids
- Water based emulsions
- Phosphate esters

### Technical Specification

**MPFILTRI®**



Italy – MP FILTRI S.p.A.

Tel: 02 95703.1

Email: sales@mpfiltri.com

Fax: 02 95741497-95740188

U.K. – MP FILTRI UK Ltd.

Tel: +44.01451 822522

Email: sales@mpfiltri.co.uk

Fax: +44.01451 822282

Due to a company policy of continuing improvement, MP Filtri reserve the right to alter technical specifications without prior notice.

France – MP FILTRI FRANCE

Email: mpfiltrifrance@wanadoo.fr

Tel: +33.04-50-71-64-80

Fax: +33.04-50-71-73-32

Germany – MP FILTRI D GmbH

Email: mpfiltrink@aol.com

Tel: +49.06806 85022.0

Fax: +49.06806 8502218

U.S.A. – MP FILTRI U.S.A. Inc.

Email: mpfiltriusa@aol.com

Tel: +1.215 529 1300

Fax: +1.215 529 1902

Canada – MP FILTRI CANADA Inc.

Email: mail@mpfiltricanada.mcom

Tel: +1.905 303 1369

Fax: +1.905 303 7256

Russian Federation – MP FILTRI Russia

Email: sales@mpfiltrirussia.ru

P.O. Box 44

China – MP FILTRI China

Email: sales@mpfiltrichina.com

Tel: +86.21-57120700

Fax: +86.21-57127200



# Stainless Steel Filter

## FZB – Series

### Technical Data

#### Materials

See FZB in main filter brochure

#### Fluid Compatibility

- Mineral Oils
- Synthetic fluids
- Water based emulsions
- Phosphate esters

- *Stainless filter*
- *Flow rate up to 100 l/min*
- *Manifold Connections*
- *By-pass options*
- *Max pressure 350 bar*
- *Indicator:*
  - *Visual, Visual-Electrical, Electrical, Electronic*

### Technical Specification

**MPFILTRI®**



Italy – MP FILTRI S.p.A.

Tel: 02 95703.1

Email: sales@mpfiltri.com

Fax: 02 95741497-95740188

U.K. – MP FILTRI UK Ltd.

Email: sales@mpfiltri.co.uk

Tel: +44.01451 822522

Fax: +44.01451 822282

Due to a company policy of continuing improvement, MP Filtri reserve the right to alter technical specifications without prior notice.

France – MP FILTRI FRANCE

Email: mpfiltrifrance@wanadoo.fr

Tel: +33.04-50-71-64-80

Fax: +33.04-50-71-73-32

Germany – MP FILTRI D GmbH

Email: mpfiltrink@aol.com

Tel: +49.06806 85022.0

Fax: +49.06806 8502218

U.S.A. – MP FILTRI U.S.A. Inc.

Email: mpfiltriusa@aol.com

Tel: +1.215 529 1300

Fax: +1.215 529 1902

Canada – MP FILTRI CANADA Inc.

Email: mail@mpfiltricanada.mcom

Tel: +1.905 303 1369

Fax: +1.905 303 7256

Russian Federation – MP FILTRI Russia

Email: sales@mpfiltrirussia.ru

P.O. Box 44

China – MP FILTRI China

Email: sales@mpfiltrichina.com

Tel: +86.21-57120700

Fax: +86.21-57127200



# Stainless Duplex Filter

## FZD – Series

### Technical Data

#### Materials

See FZD in main filter brochure

#### Fluid Compatibility

- Mineral Oils
- Synthetic fluids
- Water based emulsions
- Phosphate esters

---

- Duplex In-Line filter

---

- Flow rate up to 100 l/min

---

- Threaded Connections

---

- By-pass options

---

- Max pressure 350 bar

#### Indicator:

---

- Visual, Visual-Electrical, Electrical, Electronic

### Technical Specification

**MPFILTRI®**



Italy – MP FILTRI S.p.A.

Tel: 02 95703.1

Email: sales@mpfiltri.com

Fax: 02 95741497-95740188

U.K. – MP FILTRI UK Ltd.

Tel: +44.01451 822522

Email: sales@mpfiltri.co.uk

Fax: +44.01451 822282

Due to a company policy of continuing improvement, MP Filtri reserve the right to alter technical specifications without prior notice.

France – MP FILTRI FRANCE

Email: mpfiltrifrance@wanadoo.fr

Tel: +33.04-50-71-64-80

Fax: +33.04-50-71-73-32

Germany – MP FILTRI D GmbH

Email: mpfiltrink@aol.com

Tel: +49.06806 85022.0

Fax: +49.06806 8502218

U.S.A. – MP FILTRI U.S.A. Inc.

Email: mpfiltriusa@aol.com

Tel: +1.215 529 1300

Fax: +1.215 529 1902

Canada – MP FILTRI CANADA Inc.

Email: mail@mpfiltricanada.mcom

Tel: +1.905 303 1369

Fax: +1.905 303 7256

Russian Federation – MP FILTRI Russia

Email: sales@mpfiltrirussia.ru

P.O. Box 44

China – MP FILTRI China

Email: sales@mpfiltrichina.com

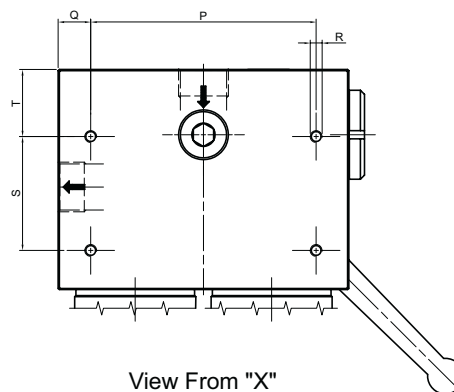
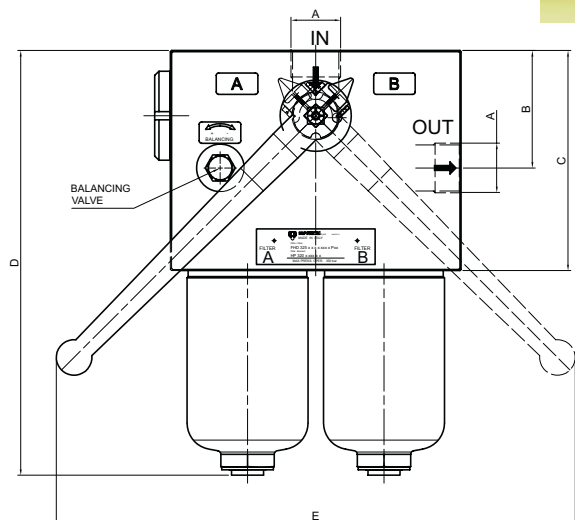
Tel: +86.21-57120700

Fax: +86.21-57127200

# FZD – Series

# Specification

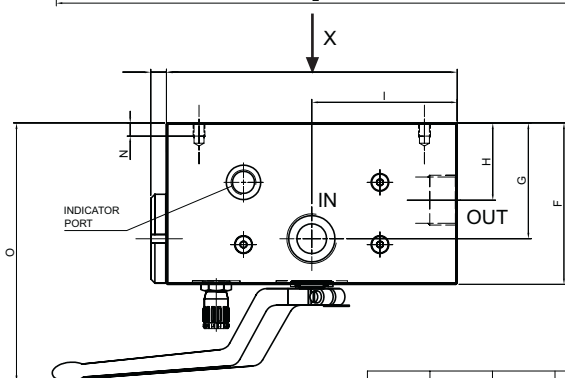
## Dimensions



View From "X"

Length "D"

	1	2	3	4	5
FZD 020	191	141	---	---	---
FZD 051	---	253	295	343	465



Port Options "A"

	G1	G2	G3	G4	G5	G6
FZD 020	1/2" BSP	---	1/2" NPT	SAE 8	---	---
FZD 051	3/4" BSP	3/4" NPT	1/2" BSP	1/2" NPT	SAE 8	SAE 12

	B	C	E	F	G	H	I	L	M	N	O	P	Q	R	S	T
FZD 020	50	96	161	62	39.5	25	57	125	7	7	120	105	10	M6 / 1/4"UNC	55	10
FZD 051	83	138	258	92	56	42	98	183	12	7	142	152.5	15	M6 / 1/4"UNC	78	30

## Ordering information

**FZD**

**020**

**FZD**

**051**

### Lengths

**020 = 1,2**

**051 = 2,3,4,5**

### Valve

**S** Without

**B** With By-Pass  
(Only for size 051)

### Seals

**A** NBR

**V** Viton

### Port Options (See table)

**G1**

**G2**

**G3**

**G4**

**G5**

**G6**

### Filter Element

**A03** 3 Micron  
(Microfibre)

**A06** 6 Micron  
(Microfibre)

**A10** 10 Micron  
(Microfibre)

**A16** 16 Micron  
(Microfibre)

**A25** 25 Micron  
(Microfibre)

**M25** 25 Micron  
(Wire Mesh)

### Collapse pressure

**R** 20 bar

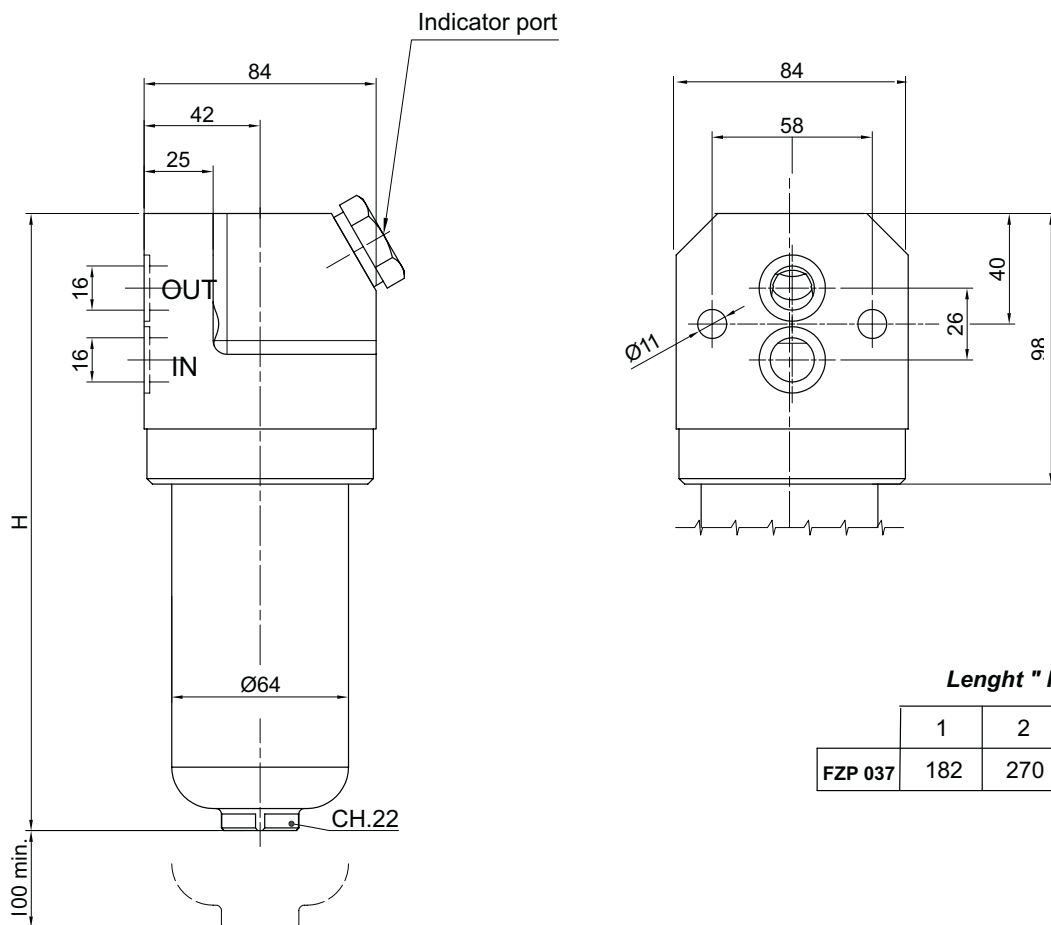
**S** 210 bar

**T** 80 bar

### Personalisation

**P01** MP Filtri  
Standard

**Pxx** Customer  
request



Lenght " H "

	1	2	5
FZP 037	182	270	225

## Ordering information

**FZB**

**037**

### Lengths

**037 = 1,5,2**

### Valve

**S** Without  
**B** With By-Pass

### Seals

**A** NBR  
**V** Viton

### Port Options

**F1**

### Filter Element

**A03** 3 Micron (Microfibre)  
**A06** 6 Micron (Microfibre)  
**A10** 10 Micron (Microfibre)  
**A16** 16 Micron (Microfibre)  
**A25** 25 Micron (Microfibre)  
**M25** 25 Micron (Wire Mesh)

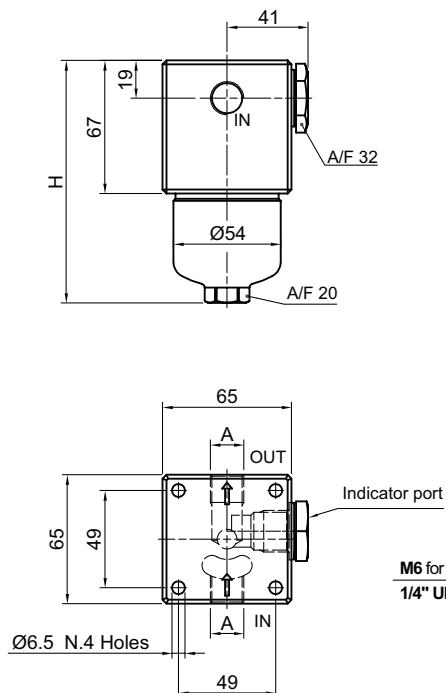
### Collapse pressure

**Z** 20 bar  
**U** 210 bar  
**T** 80 bar

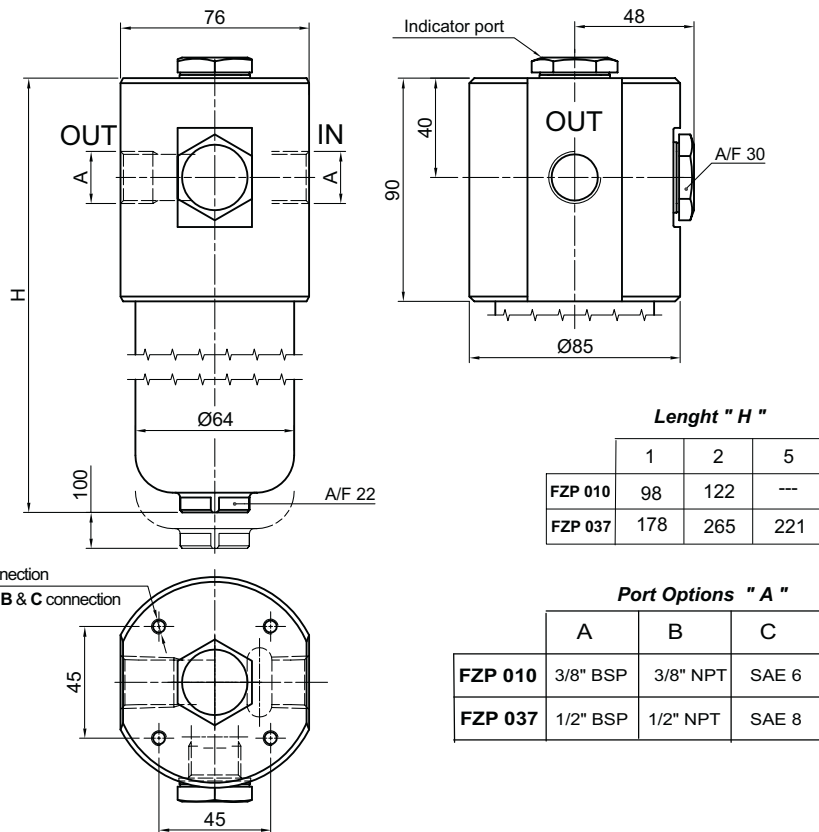
### Personalisation

**P01** MP Filtri Standard  
**Pxx** Customer request

### FZP 010



### FZP 037



Lenght " H "

	1	2	5
FZP 010	98	122	---
FZP 037	178	265	221

Port Options " A "

	A	B	C
FZP 010	3/8" BSP	3/8" NPT	SAE 6
FZP 037	1/2" BSP	1/2" NPT	SAE 8

## Ordering information

**FZP 010**

**FZP 037**

#### Lengths

**010 = 1,2**  
**037 = 1,5,2**

#### Valve

**S** Without  
**B** With By-Pass  
(Only for size 037)

#### Seals

**A** NBR  
**V** Viton

#### Port Options (See table)

**A**  
**B**  
**C**

#### Filter Element

**A03** 3 Micron (Microfibre)  
**A06** 6 Micron (Microfibre)  
**A10** 10 Micron (Microfibre)  
**A16** 16 Micron (Microfibre)  
**A25** 25 Micron (Microfibre)  
**M25** 25 Micron (Wire Mesh)

#### Collapse pressure

**Z** 20 bar  
**U** 210 bar  
**T** 80 bar

#### Personalisation

**P01** MP Filtri Standard  
**Pxx** Customer request