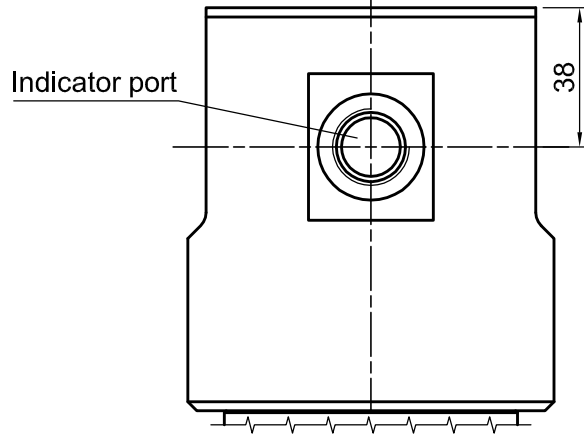


Option P03 with 90° indicator port



Filter body (Materials):

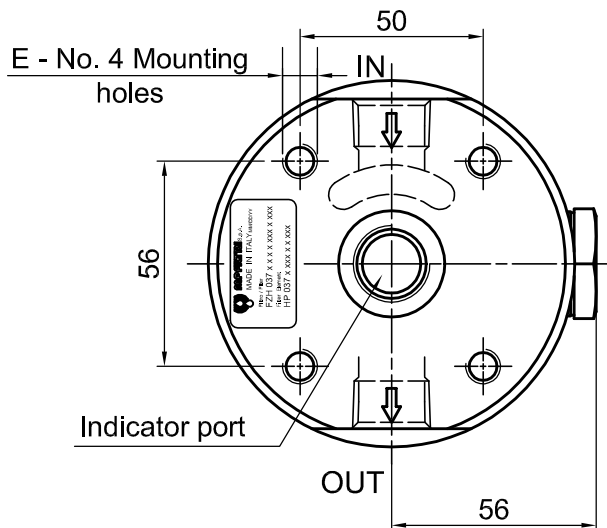
- Head Stainless steel AISI 316 L
- Bowl Stainless steel AISI 316 L
- Seals NBR (Buna-N) - FPM (Viton) - EPDM
- Valve Steel / Stainless steel AISI 316

Working Pressure: 600 bar

Working temperature: From -25°C to +110 °C

Bypass valve setting: 6 bar ±10 %

Compatibility with fluids: In according to ISO 2943



Lengths	
Type	H
1	200
5	243
2	287

Thread connections		
Type	A	E
A	G 1/2"	M10
B	1/2" NPT	3/8" UNC
C	SAE 8 - 3/4"-16UNF-2B	3/8" UNC
E	1/4" NPT	3/8" UNC

01) Tolto elemento filtrante serie "R" e inserita lettera "L" nella tipologia di acciaio inox. 05-05-2006 Saita

Ordering data

Filter assembly
FZH 037

Example: FZH037

1	2	3	4	5	6	7a	8
<input type="checkbox"/>	<input type="checkbox"/>	<input type="checkbox"/>	<input type="checkbox"/>	<input type="checkbox"/>	<input type="checkbox"/>	<input type="checkbox"/>	<input type="checkbox"/>
5	B	A	C	A06	N	P02 /	N7

Filter element
HP 037

Example: HP037

1	5	3	6	7b
<input type="checkbox"/>	<input type="checkbox"/>	<input type="checkbox"/>	<input type="checkbox"/>	<input type="checkbox"/>
5	A06	A	N	P01

1 - Housing / Element Length

<input type="checkbox"/> 1	H = 200 mm
<input type="checkbox"/> 5	H = 243 mm
<input type="checkbox"/> 2	H = 287 mm

2 - Valve

<input type="checkbox"/> S	Without Bypass
<input type="checkbox"/> B	With Bypass
<input type="checkbox"/> T	With Check Valve
<input type="checkbox"/> D	With Bypass & Check Valve
<input type="checkbox"/> V	With Reverse Flow
<input type="checkbox"/> Z	With Reverse Flow & Bypass

3 - Seals

<input type="checkbox"/> A	NBR (Buna N)	<input type="checkbox"/> V	FPM (Viton)
<input type="checkbox"/> E	EPDM		

4 - Connections

<input type="checkbox"/> A	G 1/2"
<input type="checkbox"/> B	1/2" NPT
<input type="checkbox"/> C	SAE 8 - (3/4-16UNF 2B)
<input type="checkbox"/> E	1/4" NPT

5 - Filter element

<input type="checkbox"/> A03	Inorganic microfibre 3µm	} βx ≥ 1000
<input type="checkbox"/> A06	" " 6µm	
<input type="checkbox"/> A10	" " 10µm	
<input type="checkbox"/> A16	" " 16µm	
<input type="checkbox"/> A25	" " 25µm	
<input type="checkbox"/> M25	Square wire mesh	

6 - Collapse pressure Filter element

<input type="checkbox"/> U	210 bar Tube & EndCap AISI 316
<input type="checkbox"/> S	210 bar (Filter with Revers Flow)

7 - Options

a) Filter

<input type="checkbox"/> P01	MP Filtri with standard indicator port
<input type="checkbox"/> P02	MP Filtri without indicator port
<input type="checkbox"/> P03	MP Filtri with 90° indicator port
<input type="checkbox"/> Pxx	Customer request

b) Filter Element

<input type="checkbox"/> P01	MP Filtri
<input type="checkbox"/> Pxx	Customer request

8 - Indicators

<input type="checkbox"/> T2X	Plug		
<input type="checkbox"/> V7X	Visual 5 bar	<input type="checkbox"/> Z7X	Visual (pop-up) 5 bar
<input type="checkbox"/> V8X	" 7 bar	<input type="checkbox"/> Z8X	" " " 7 bar
<input type="checkbox"/> N7X	Elettrical 5 bar		
<input type="checkbox"/> N8X	" 7 bar		
<input type="checkbox"/> E7X	Visual-electrical 5 bar		
<input type="checkbox"/> E8X	" " 7 bar		
<input type="checkbox"/> K7X*	" " 5 bar	* { 1 - Tension 24 Volt 2 - Tension 110 Volt 3 - Tension 220 Volt	
<input type="checkbox"/> K8X*	" " 7 bar		

01) Tolto elemento filtrante serie "R" e inserita lettera "L" nella tipologia di acciaio inox. 05-05-2006 Saita

MP FILTRI S.p.A. - Via Matteotti, 2
20060 Pessano con Bornago
Milano - Italy



Tel. +39.02/957031
Fax: +39.02/95741497-95740188
<http://www.mpfiltri.com>
email: sales@mpfiltri.com

MP FILTRI U.K. Ltd. - Tel. +44.01451-822522 - Fax: +44.01451-822282 - email: sales@mpfiltri.co.uk - <http://www.mpfiltri.co.uk>
MP FILTRI D GmbH - Tel. +49.06806/850220 - Fax: +49.06806/85022-18 - email: mpfiltrink@aol.com
MP FILTRI FRANCE - Tel. +33.04.74.08.84.78 - Fax: +33.04.74.08.80.45 - email: mpfiltrifrance@wanadoo.fr
MP FILTRI USA, Inc. - Tel. +1.215-529-1300 - Fax: +1.215-529-1902 - email: sales@mpfiltriusa.com - <http://www.mpfiltriusa.com>
MP FILTRI CND Inc. - Tel. +1.905-303-1369 - Fax: +1.905-303-7256 - email: mail@mpfiltricanada.com - <http://www.mpfiltricanada.com>