



Stainless Steel Filter

FZH – Series

- *Stainless filter*
- *Flow rate up to 100 l/min*
- *Threaded Connections*
- *By-pass options*
- *Max pressure 600 bar*
- *Indicator:
Visual, Visual-Electrical, Electrical, Electronic*

Technical Data

Materials

See FZH in main filter brochure

Fluid Compatibility

- Mineral Oils
- Synthetic fluids
- Water based emulsions
- Phosphate esters

Technical Specification

MPFILTRI®



Italy – MP FILTRI S.p.A.

Tel: 02 95703.1

Email: sales@mpfiltri.com

Fax: 02 95741497-95740188

U.K. – MP FILTRI UK Ltd.

Tel: +44.01451 822522

Email: sales@mpfiltri.co.uk

Fax: +44.01451 822282

Due to a company policy of continuing improvement,
MP Filtri reserve the right to alter technical specifications
without prior notice.

France – MP FILTRI FRANCE

Email: mpfiltrifrance@wanadoo.fr

Tel: +33.04-50-71-64-80

Fax: +33.04-50-71-73-32

Germany – MP FILTRI D GmbH

Email: mpfiltrink@aol.com

Tel: +49.06806 85022.0

Fax: +49.06806 8502218

U.S.A. – MP FILTRI U.S.A. Inc.

Email: mpfiltriusa@aol.com

Tel: +1.215 529 1300

Fax: +1.215 529 1902

Canada – MP FILTRI CANADA Inc.

Email: mail@mpfiltricanada.mcom

Tel: +1.905 303 1369

Fax: +1.905 303 7256

Russian Federation – MP FILTRI Russia

Email: sales@mpfiltrirussia.ru

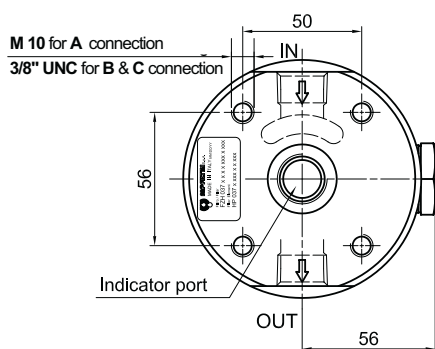
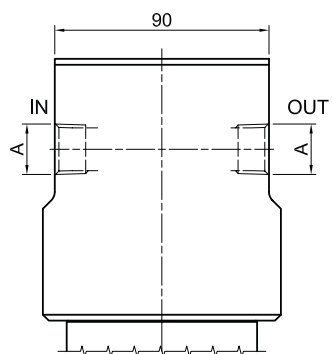
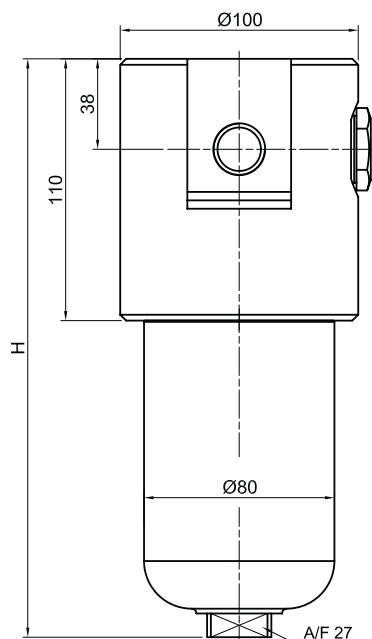
P.O. Box 44

China – MP FILTRI China

Email: sales@mpfiltrichina.com

Tel: +86.21-57120700

Fax: +86.21-57127200



Lenght " H "

	1	2	5
FZH 037	200	287	243

Ordering information

FZH

037

Lengths

037 = 1,2,5

Valve

S Without
B With By-Pass

Seals

A NBR
V Viton

Port Options

A 1/2" BSP
B 1/2" NPT
C SAE 8

Filter Element

A03 3 Micron (Microfibre)
A06 6 Micron (Microfibre)
A10 10 Micron (Microfibre)
A16 16 Micron (Microfibre)
A25 25 Micron (Microfibre)
M25 25 Micron (Wire Mesh)

Collapse pressure

Z 20 bar
U 210 bar
T 80 bar

Personalisation

P01 MP Filtri Standard
Pxx Customer request