



Stainless Duplex Filter

FZD – Series

- *Duplex In-Line filter*
- *Flow rate up to 100 l/min*
- *Threaded Connections*
- *By-pass options*
- *Max pressure 350 bar*
- *Indicator:*
 - *Visual, Visual-Electrical, Electrical, Electronic*

Technical Data

Materials

See FZD in main filter brochure

Fluid Compatibility

- Mineral Oils
- Synthetic fluids
- Water based emulsions
- Phosphate esters

Technical Specification

MPFILTRI®



Italy – MP FILTRI S.p.A.

Tel: 02 95703.1

Email: sales@mpfiltri.com

Fax: 02 95741497-95740188

U.K. – MP FILTRI UK Ltd.

Email: sales@mpfiltri.co.uk

Tel: +44.01451 822522

Fax: +44.01451 822282

Due to a company policy of continuing improvement, MP Filtri reserve the right to alter technical specifications without prior notice.

France – MP FILTRI FRANCE

Email: mpfiltrifrance@wanadoo.fr

Tel: +33.04-50-71-64-80

Fax: +33.04-50-71-73-32

Germany – MP FILTRI D GmbH

Email: mpfiltrink@aol.com

Tel: +49.06806 85022.0

Fax: +49.06806 8502218

U.S.A. – MP FILTRI U.S.A. Inc.

Email: mpfiltriusa@aol.com

Tel: +1.215 529 1300

Fax: +1.215 529 1902

Canada – MP FILTRI CANADA Inc.

Email: mail@mpfiltricanada.mcom

Tel: +1.905 303 1369

Fax: +1.905 303 7256

Russian Federation – MP FILTRI Russia

Email: sales@mpfiltrirussia.ru

P.O. Box 44

China – MP FILTRI China

Email: sales@mpfiltrichina.com

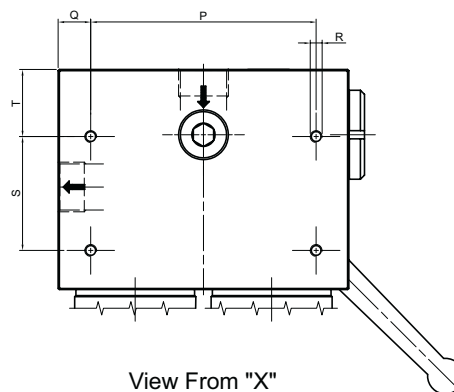
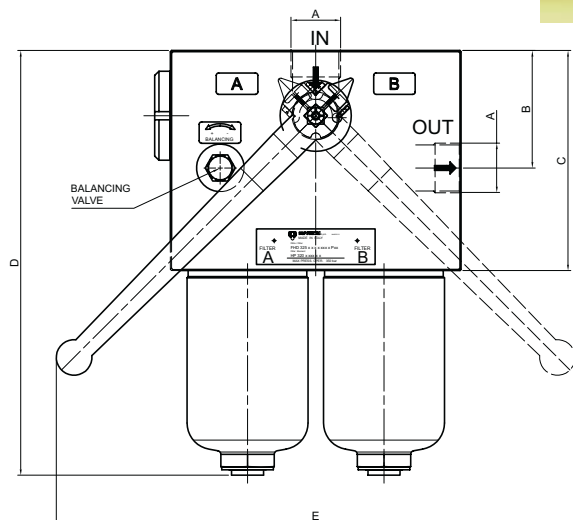
Tel: +86.21-57120700

Fax: +86.21-57127200

FZD – Series

Specification

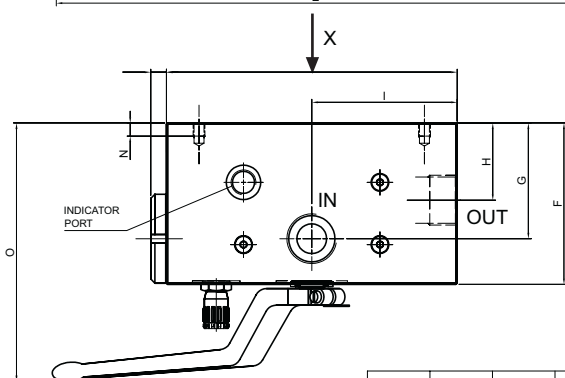
Dimensions



View From "X"

Length "D"

	1	2	3	4	5
FZD 020	191	141	---	---	---
FZD 051	---	253	295	343	465



Port Options "A"

	G1	G2	G3	G4	G5	G6
FZD 020	1/2" BSP	---	1/2" NPT	SAE 8	---	---
FZD 051	3/4" BSP	3/4" NPT	1/2" BSP	1/2" NPT	SAE 8	SAE 12

	B	C	E	F	G	H	I	L	M	N	O	P	Q	R	S	T
FZD 020	50	96	161	62	39.5	25	57	125	7	7	120	105	10	M6 / 1/4"UNC	55	10
FZD 051	83	138	258	92	56	42	98	183	12	7	142	152.5	15	M6 / 1/4"UNC	78	30

Ordering information

FZD

020

FZD

051

Lengths

020 = 1,2

051 = 2,3,4,5

Valve

S Without

B With By-Pass
(Only for size 051)

Seals

A NBR

V Viton

Port Options (See table)

G1

G2

G3

G4

G5

G6

Filter Element

A03 3 Micron
(Microfibre)

A06 6 Micron
(Microfibre)

A10 10 Micron
(Microfibre)

A16 16 Micron
(Microfibre)

A25 25 Micron
(Microfibre)

M25 25 Micron
(Wire Mesh)

Collapse pressure

R 20 bar

S 210 bar

T 80 bar

Personalisation

P01 MP Filtri
Standard

Pxx Customer
request