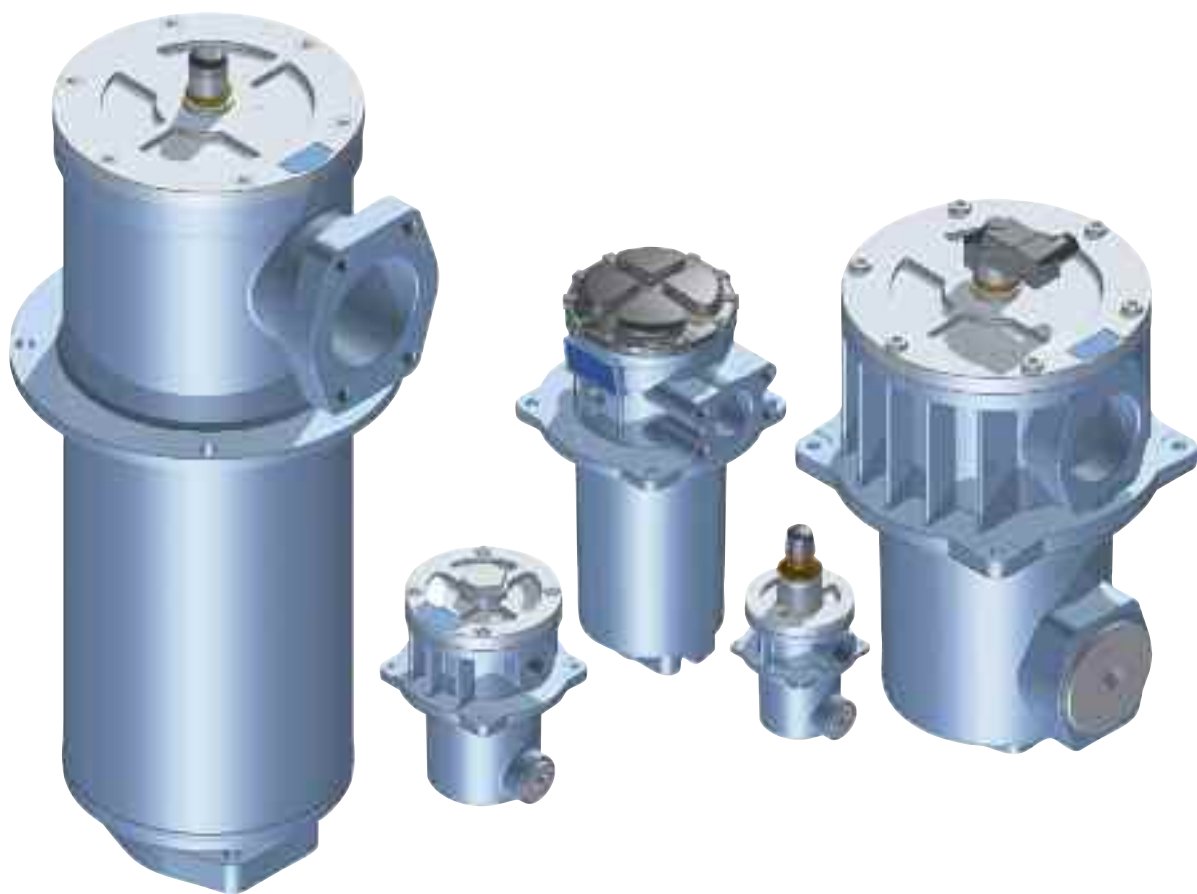


# FRI



**Maximum pressure 20 bar**  
**Flow rates to 1500 l/min**

## Filter housing (Materials)

- Filter body: Aluminium: FRI 255  
Anodized Aluminium: FRI 025-040-100-250-630  
Phosphated Steel: FRI 850
- Cover: Nylon (only for: FRI 255)  
Anodized Aluminium (all the other)
- Valve: Nylon - Steel

## Pressure

- Working pressure: 20 bar

## Temperature

- From -25 °C to +110 °C

## Bypass valve

- Opening pressure 2,4 bar  $\pm$ 10%

## $\Delta p$ Elements type

- Series N elements: 10 bar
- Oil flow from outside to inside.

## Seals

- Standard NBR series A
- Optional FPM series V

## Weights (kg)

- FRI 025 1,0
- FRI 040 2,0
- FRI 100 3,8
- FRI 250 6,3
- FRI 255 4,2
- FRI 630 13,8
- FRI 850 48,0

## Volumes (dm<sup>3</sup>)

- FRI 025 0,28
- FRI 040 0,70
- FRI 100 1,09
- FRI 250 2,60
- FRI 255 3,2
- FRI 630 7,05
- FRI 850 21,5

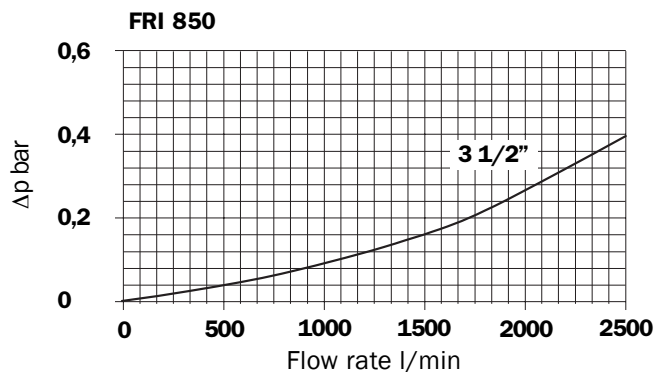
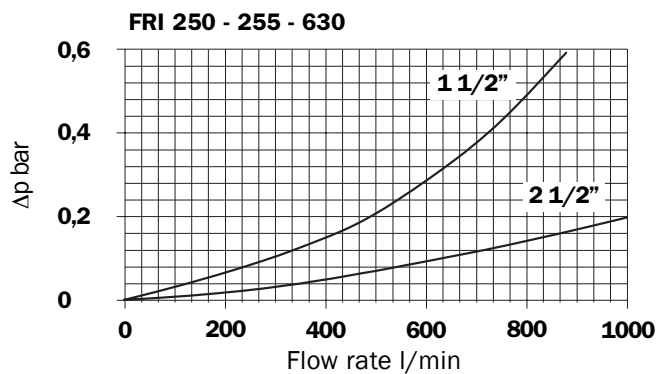
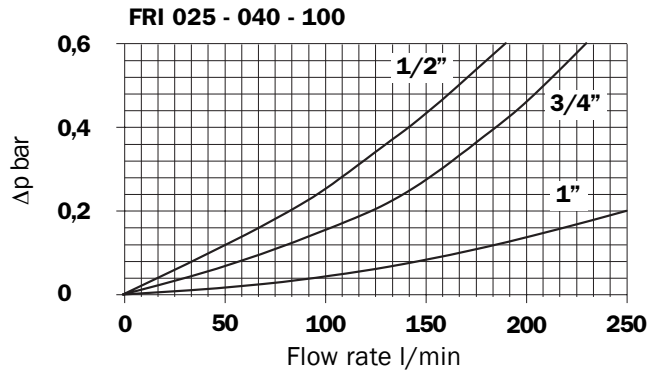
## Compatibility (to ISO 2943)

- Housings compatible with:  
Mineral oils, synthetic fluids.  
Aqueous emulsions, water and glycol.
- The filter elements are compatible with:  
Mineral oils, synthetic fluids.  
Aqueous emulsions, water and glycol  
(series W required).
- NBR seals series A, compatible with:  
Mineral oils, synthetic fluids.  
Aqueous emulsions, water and glycol.
- FPM seals V series, compatible with:  
Synthetic fluids type HS-HFDR-HFDS-HFDU

## Filter housings $\Delta p$ pressure drop

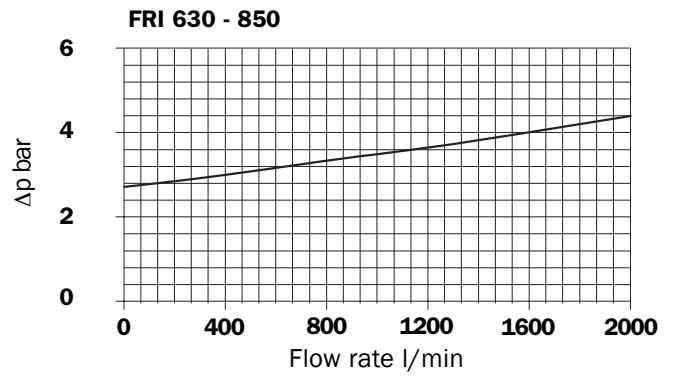
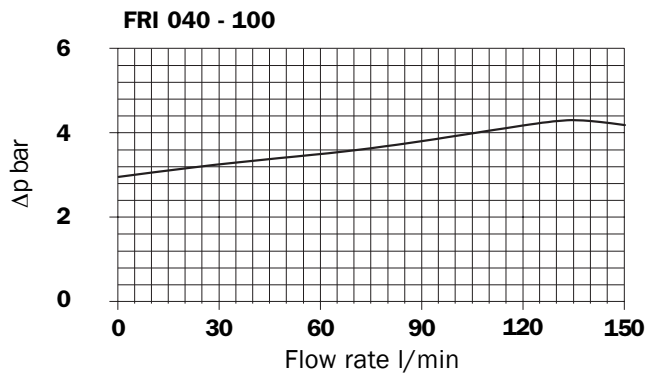
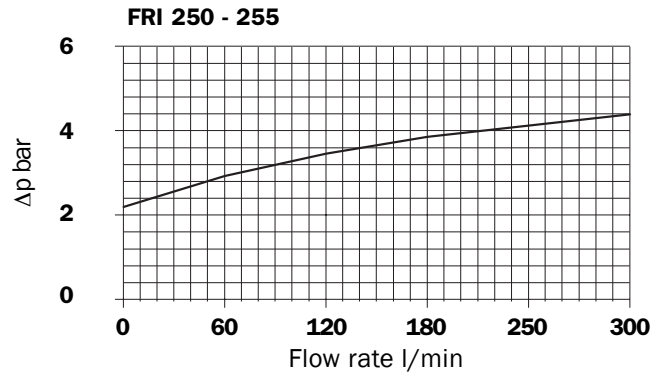
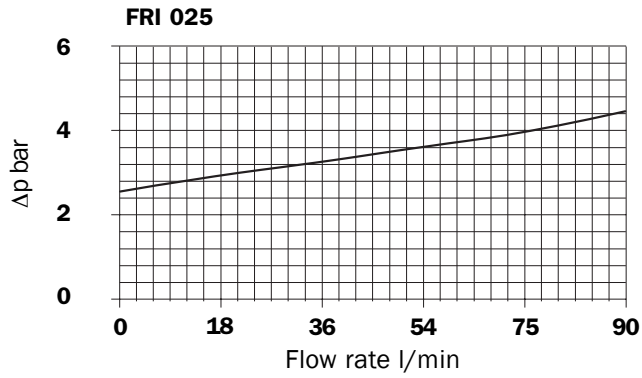
The curves are plotted utilising mineral oil with density of 0.86 kg/dm<sup>3</sup> to ISO 3968.

$\Delta p$  varies proportionally with density.



**Valves**

**Bypass valve pressure drop**



**Recommended maximum flow rate**

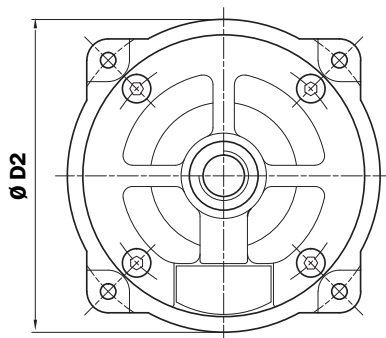
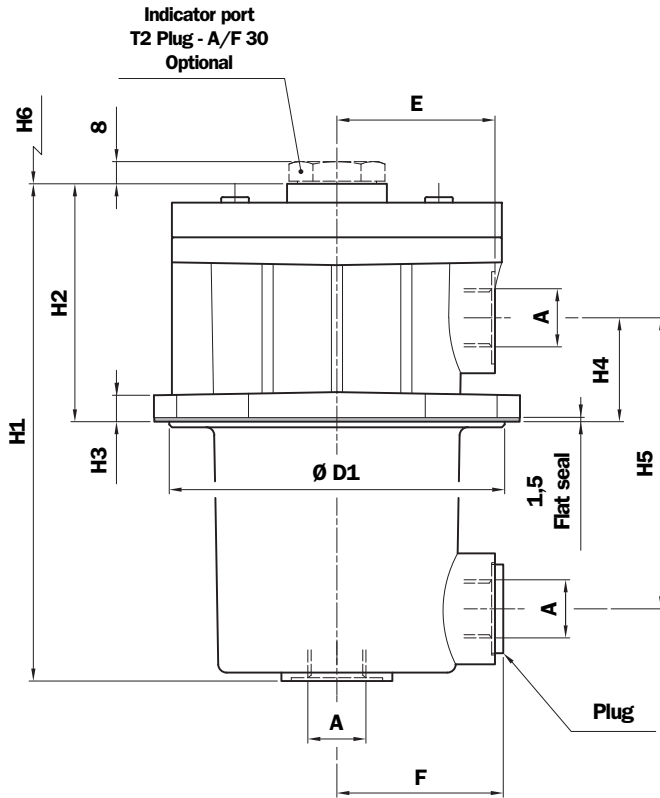
- Pressure drop of filter assembly equal to  $\Delta p$  0,5 bar.
- Oil kinematic viscosity 30 mm<sup>2</sup>/s (cSt).
- Density 0,86 kg/dm<sup>3</sup>.

**Filtration**

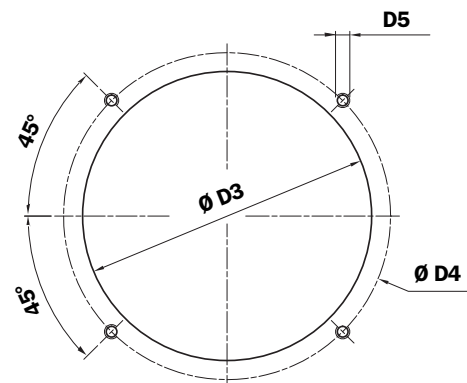
|                      | Length | A03 | A06 | A10 | A16  | A25  | P10  | P25  | M25 - M60 - M90 |
|----------------------|--------|-----|-----|-----|------|------|------|------|-----------------|
| <b>FRI 025</b>       | 1      | 6   | 10  | 16  | 19   | 43   | 43   | 47   | 50*             |
| <b>FRI 040</b>       | 1      | 18  | 22  | 42  | 44   | 80   | 80   | 80   | 80*             |
| <b>FRI 100</b>       | 1      | 32  | 33  | 88  | 91   | 140  | 140  | 140  | 140*            |
| <b>FRI 250 - 255</b> | 1      | 143 | 178 | 270 | 300  | 350  | 350  | 350  | 350*            |
| <b>FRI 630</b>       | 1      | 240 | 278 | 507 | 575  | 700  | 700  | 700  | 700*            |
| <b>FRI 850</b>       | 1      | 440 | 540 | 970 | 1140 | 1600 | 1600 | 1600 | 1600*           |

\* Maximum flow recommended

## FRI 025 - 040



### Holes on the tank

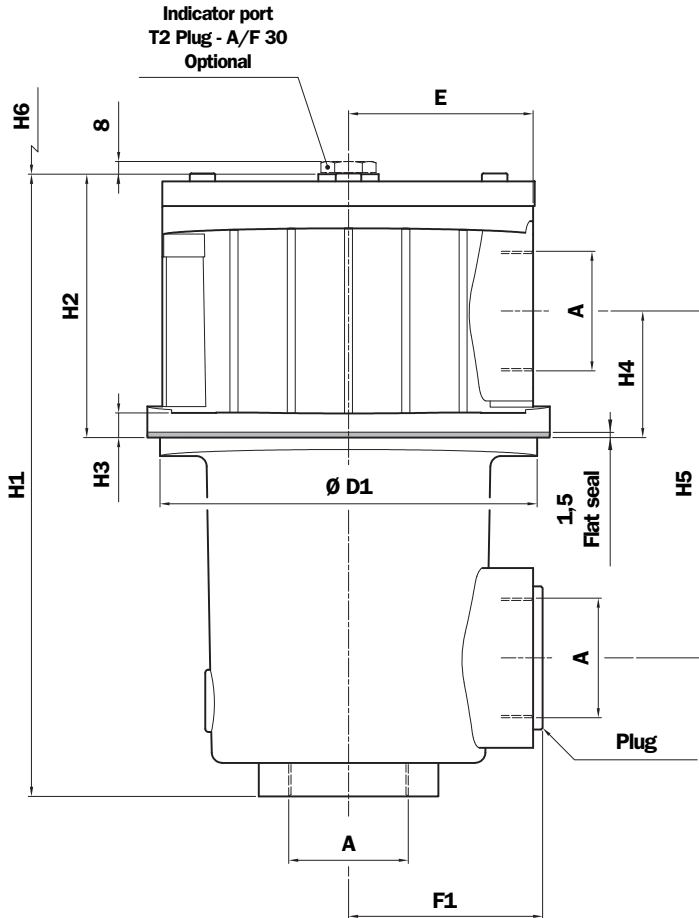


### Thread connections

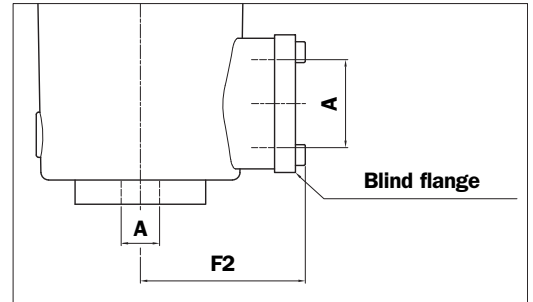
| Type | A                     |                          |
|------|-----------------------|--------------------------|
|      | FRI 025               | FRI 040                  |
| G1   | G 1/2"                | G 3/4"                   |
| G2   | 1/2" NPT              | 3/4" NPT                 |
| G3   | SAE 8 - 3/4" - 16 UNF | SAE 12 - 1.1/16" - 12 UN |

| Filter Length | H1 mm | H2 mm | H3 mm | H4 mm | H5 mm | H6 mm | D1 mm | D2 mm | D3 mm | D4 mm | D5 mm | E mm | F mm |
|---------------|-------|-------|-------|-------|-------|-------|-------|-------|-------|-------|-------|------|------|
| FRI 025       | 140   | 73    | 6,5   | 21    | 62,5  | 115   | 83,5  | 89    | 84,5  | 95    | M5    | 44   | 46   |
| FRI 040       | 180   | 86    | 10    | 38    | 105   | 135   | 121   | 132   | 122   | 138   | M6    | 57   | 60   |

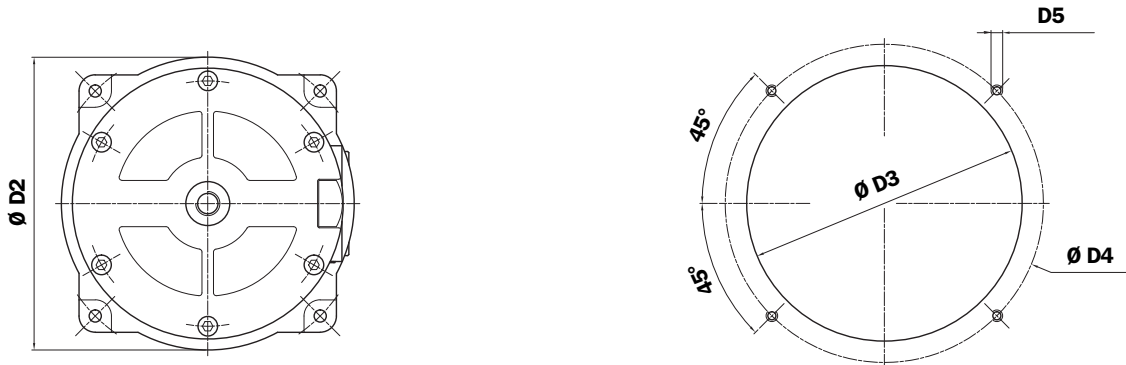
# FRI 100 - 250 - 630



Flange connections



Holes on the tank



## Thread connections

| Type | A                        |                         |                         |
|------|--------------------------|-------------------------|-------------------------|
|      | FRI 100                  | FRI 250                 | FRI 630                 |
| G1   | G 1"                     | G 1 1/2"                | G 2 1/2"                |
| G2   | 1" NPT                   | 1 1/2" NPT              | 2 1/2" NPT              |
| G3   | SAE 16 - 1.5/16" - 12 UN | SAE 24 - 1.7/8" - 12 UN | SAE 32 - 2 1/2" - 12 UN |

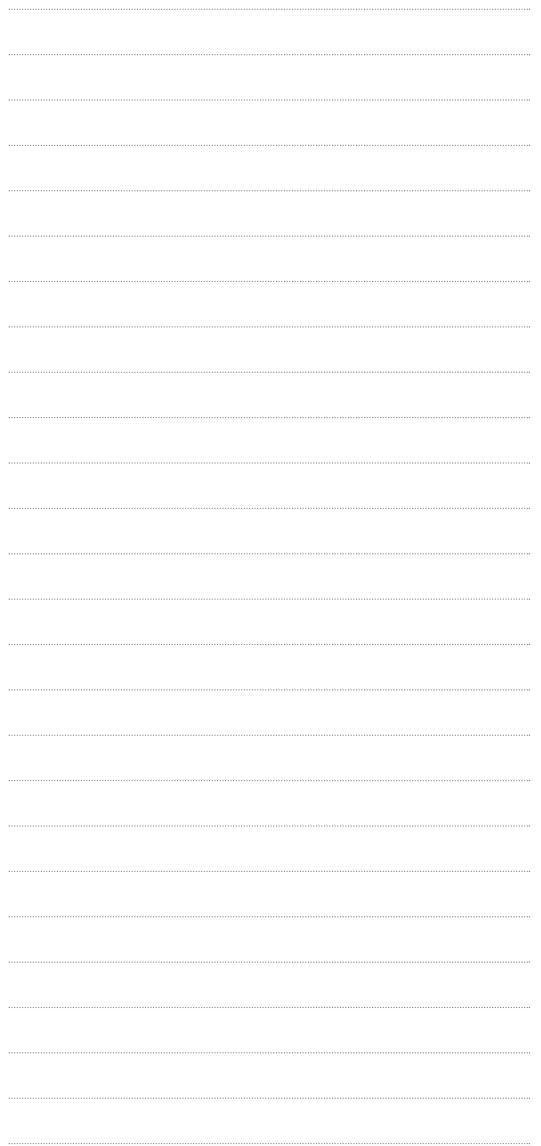
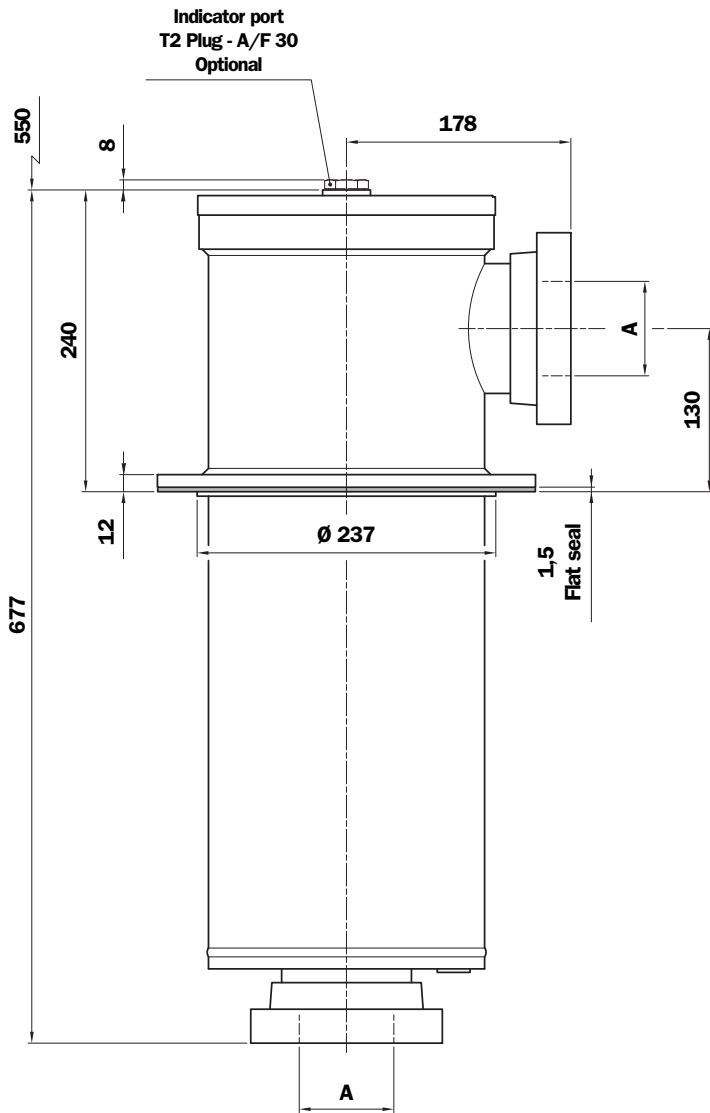
## Flange connections\*

| Type | A                   |                         |                         |
|------|---------------------|-------------------------|-------------------------|
|      | FRI 100             | FRI 250                 | FRI 630                 |
| F1   | 1" SAE 3000 psi/M   | 1 1/2" SAE 3000 psi/M   | 2 1/2" SAE 3000 psi/M   |
| F2   | 1" SAE 3000 psi/UNC | 1 1/2" SAE 3000 psi/UNC | 2 1/2" SAE 3000 psi/UNC |

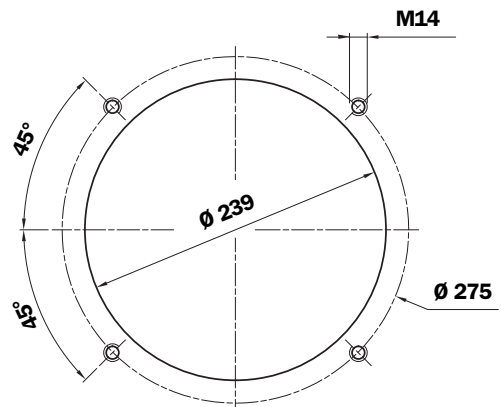
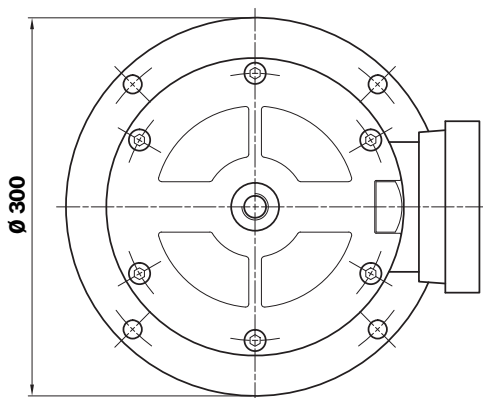
\*Connections table "DN/SAE flange" see page 5

| Filter Length | H1 mm | H2 mm | H3 mm | H4 mm | H5 mm | H6 mm | D1 mm | D2 mm | D3 mm | D4 mm | D5 mm | E mm | F1 mm | F2 mm |
|---------------|-------|-------|-------|-------|-------|-------|-------|-------|-------|-------|-------|------|-------|-------|
| FRI 100       | 245   | 106   | 12    | 51    | 140   | 175   | 135   | 146   | 136   | 154   | M6    | 67   | 73    | 86    |
| FRI 250       | 333   | 127   | 12    | 59    | 177   | 265   | 162   | 174   | 163   | 180   | M8    | 82   | 86    | 100   |
| FRI 630       | 391   | 166   | 16    | 80    | 218   | 300   | 237   | 253   | 238   | 275   | M10   | 116  | 122   | 143   |

# FRI 850



## Holes on the tank

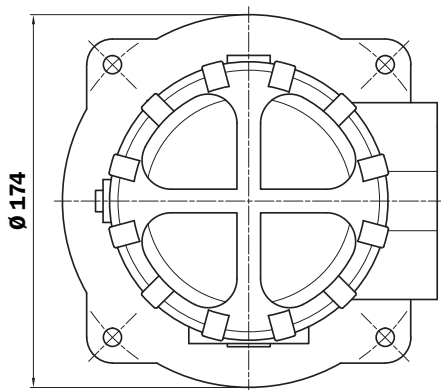
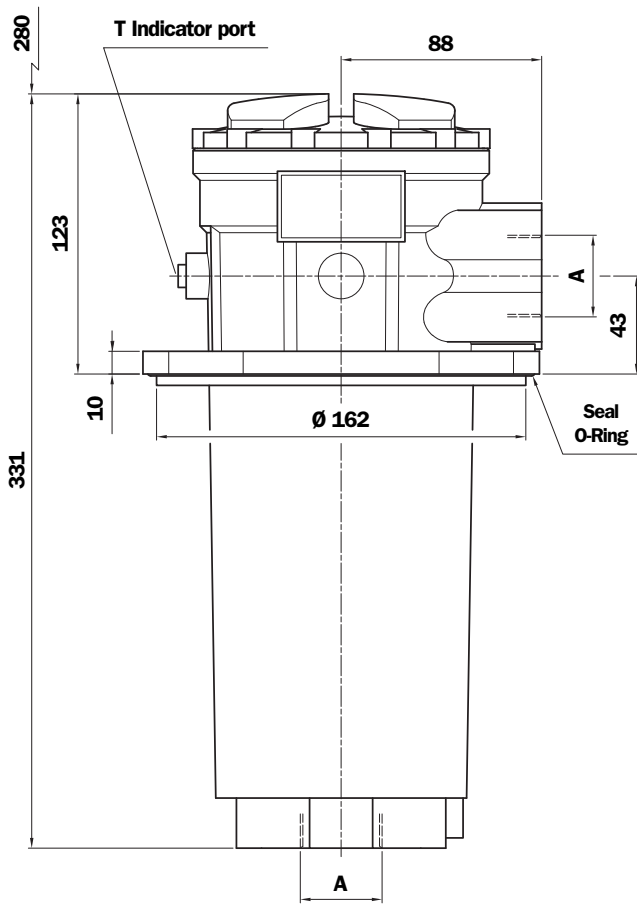


## Flange connections\*

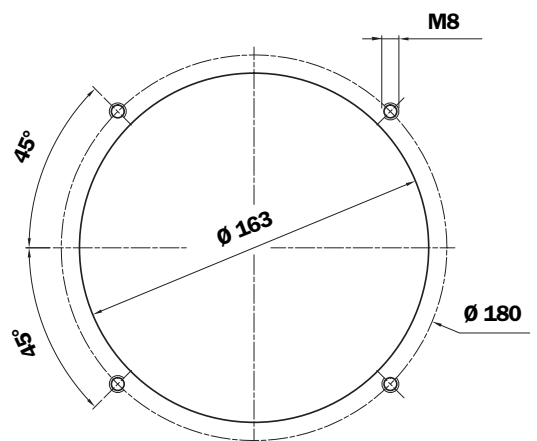
| Type | A                       |
|------|-------------------------|
| F1   | 3 1/2" SAE 3000 psi/M   |
| F2   | 3 1/2" SAE 3000 psi/UNC |

\*Connections table "DN - SAE flange" see page 5

# FRI 255



## Holes on the tank



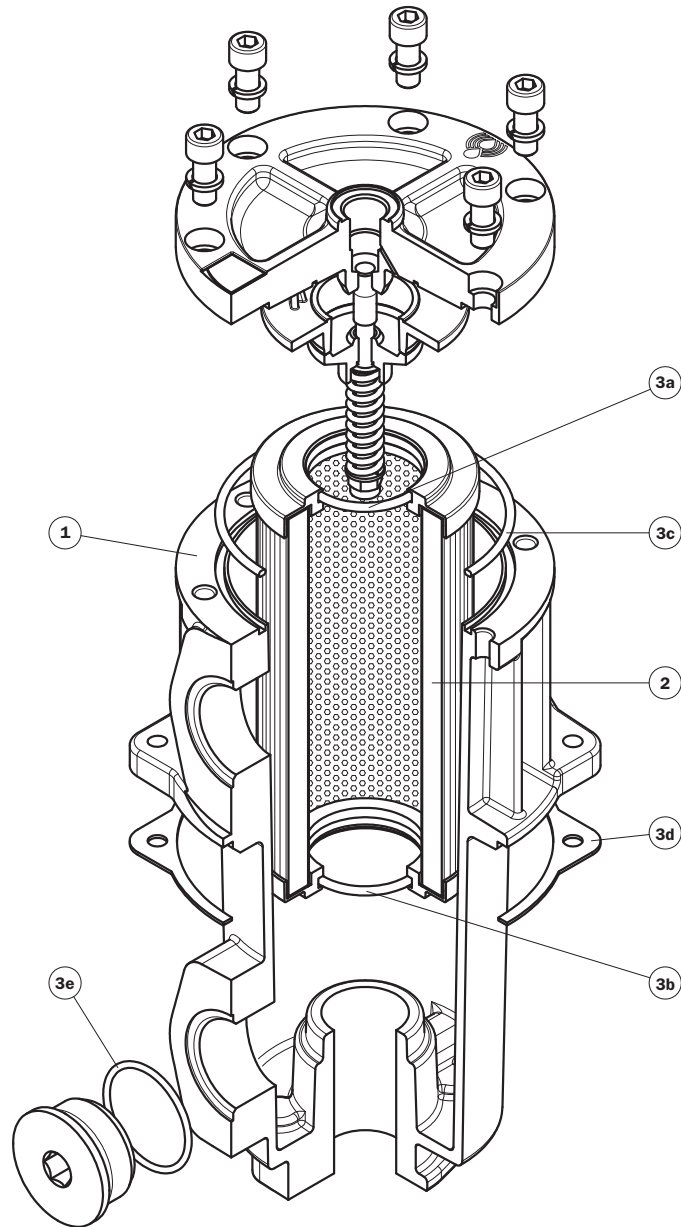
## Thread connections

| Type | A                       | T      |
|------|-------------------------|--------|
| G1   | G 1 1/2"                | G 1/8" |
| G2   | 1 1/2" NPT              | G 1/8" |
| G3   | SAE 24 - 1 7/8" - 12 UN | G 1/8" |
| G4   | G 1 1/4"                | G 1/8" |
| G5   | 1 1/4" NPT              | G 1/8" |
| G6   | SAE 20 - 1 5/8" - 12 UN | G 1/8" |

## Flange connections\*

| Type | A                       | T      |
|------|-------------------------|--------|
| F1   | 1 1/2" SAE 3000 psi/M   | G 1/8" |
| F2   | 1 1/2" SAE 3000 psi/UNC | G 1/8" |

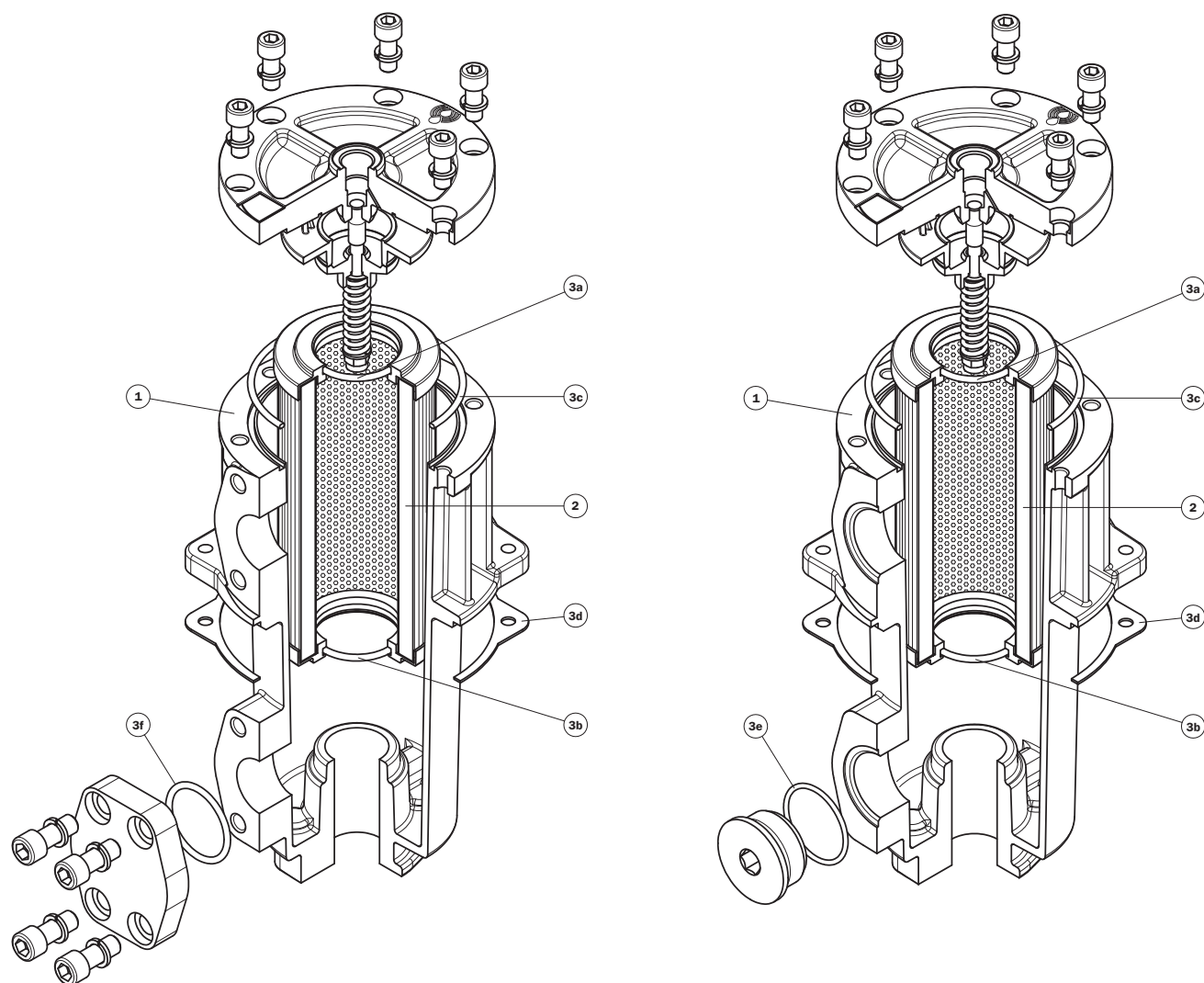
\*Connections table "DN - SAE flange" see page 5



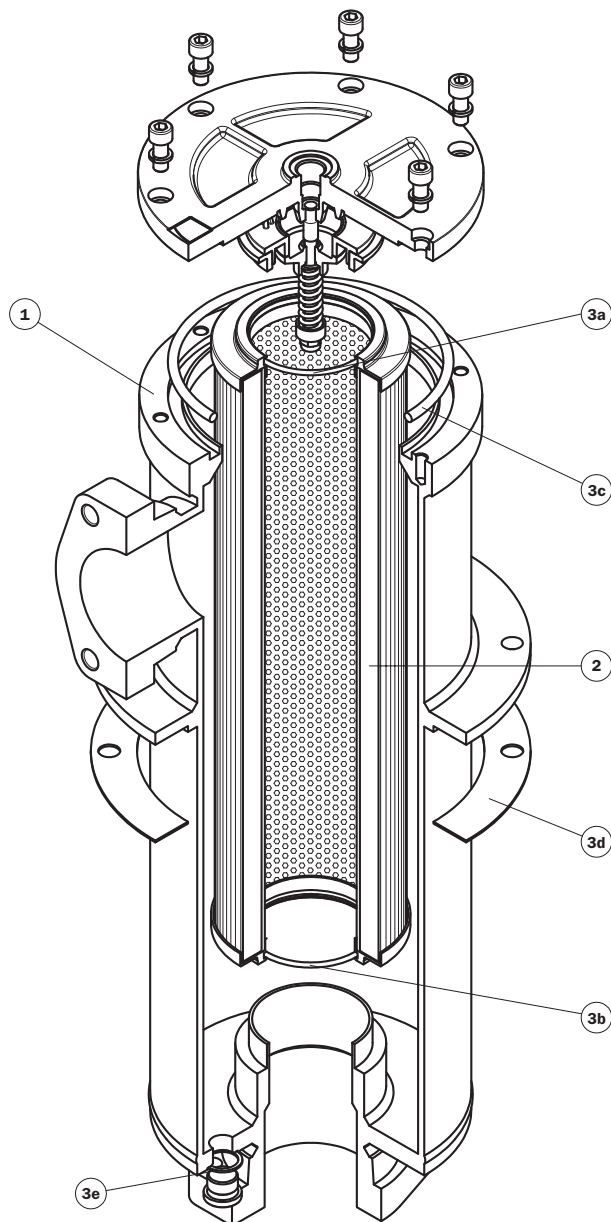
| Item      | Description                | Q.ty | FILTER Series              |                 |                            |                 |
|-----------|----------------------------|------|----------------------------|-----------------|----------------------------|-----------------|
|           |                            |      | FRI 025                    |                 | FRI 040                    |                 |
| <b>1</b>  | Filter assembly            | 1    | See order table            |                 |                            |                 |
| <b>2</b>  | Filter element             | 1    | See order table            |                 |                            |                 |
| <b>3</b>  | Seal Kit                   | 1    | NBR<br>02050213            | FPM<br>02050220 | NBR<br>02050214            | FPM<br>02050221 |
| <b>3a</b> | Filter element top seal    | 1    | O-R 3106<br>Ø 25,65 x 2,62 |                 | O-R 4137<br>Ø 34,52 x 3,53 |                 |
| <b>3b</b> | Filter element bottom seal | 1    | O-R 3093<br>Ø 23,47 x 2,62 |                 | O-R 4137<br>Ø 34,52 x 3,54 |                 |
| <b>3c</b> | Cover seal                 | 1    | O-R 3243<br>Ø 61,60 x 2,62 |                 | O-R 4350<br>Ø 88,50 x 3,53 |                 |
| <b>3d</b> | Head seal                  | 1    | 01026404                   |                 | 01026400                   |                 |
| <b>3e</b> | Plug seal GAS thread       | 1    | 01017055                   |                 | 01017030                   |                 |
|           | Plug seal SAE thread       | 1    | O-R 1064<br>Ø 16,36 x 2,20 |                 | O-R 1092<br>Ø 23,47 x 2,95 |                 |



# Spare parts

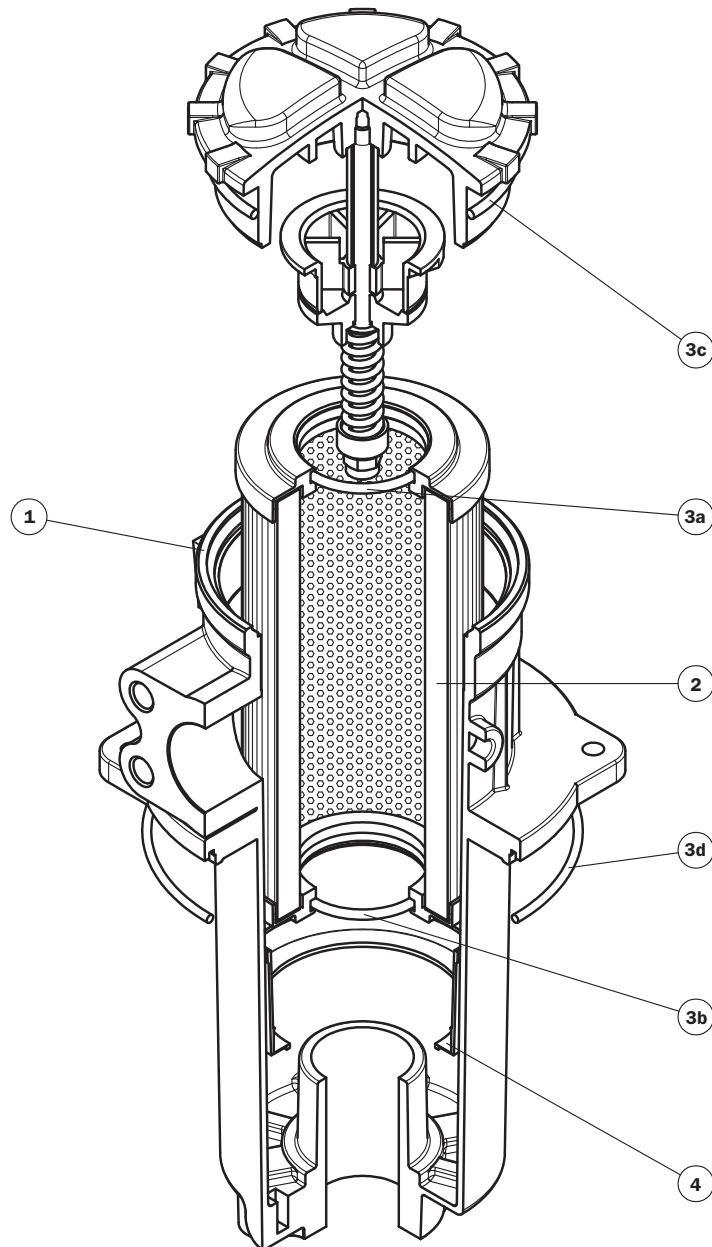


| Item      | Description                | Q.ty | FILTER Series              |                 |                             |                 |                            |                 |
|-----------|----------------------------|------|----------------------------|-----------------|-----------------------------|-----------------|----------------------------|-----------------|
|           |                            |      | FRI 100                    |                 | FRI 250                     |                 | FRI 630                    |                 |
| <b>1</b>  | Filter assembly            | 1    | See order table            |                 |                             |                 |                            |                 |
| <b>2</b>  | Filter element             | 1    | See order table            |                 |                             |                 |                            |                 |
| <b>3</b>  | Seal Kit                   | 1    | NBR<br>02050215            | FPM<br>02050222 | NBR<br>02050216             | FPM<br>02050223 | NBR<br>02050217            | FPM<br>02050224 |
| <b>3a</b> | Filter element top seal    | 1    | O-R 4137<br>Ø 34,52 x 3,53 |                 | O-R Metric<br>Ø 50 x 4      |                 | O-R 177<br>Ø 74,61 x 3,53  |                 |
| <b>3b</b> | Filter element bottom seal | 1    | O-R 4137<br>Ø 34,52 x 3,53 |                 | O-R Metric<br>Ø 50 x 4      |                 | O-R 177<br>Ø 74,61 x 3,53  |                 |
| <b>3c</b> | Cover seal                 | 1    | O-R 4387<br>Ø 98,02 x 3,53 |                 | O-R 4475<br>Ø 120,20 x 3,53 |                 | O-R 233<br>Ø 181,00 x 6,99 |                 |
| <b>3d</b> | Head seal                  | 1    | 01026401                   |                 | 01026402                    |                 | 01026403                   |                 |
| <b>3e</b> | Plug seal GAS thread       | 1    | O-R 2131<br>Ø 33,05 x 1,78 |                 | O-R 3193<br>Ø 48,89 x 2,62  |                 | O-R 3325<br>Ø 82,22 x 2,62 |                 |
|           | Plug seal SAE thread       | 1    | O-R 1117<br>Ø 29,74 x 2,95 |                 | O-R 1172<br>Ø 43,69 x 3     |                 | O-R 1234<br>Ø 59,36 x 3    |                 |
| <b>3f</b> | Blind flange seal          | 1    | O-R 4131<br>Ø 32,93 x 3,53 |                 | O-R 150<br>Ø 46,04 x 3,53   |                 | O-R 171<br>Ø 68,26 x 3,53  |                 |



| Item      | Description                | Q.ty | FILTER Series<br>FRI 850   |                 |
|-----------|----------------------------|------|----------------------------|-----------------|
| <b>1</b>  | Filter assembly            | 1    | See order table            |                 |
| <b>2</b>  | Filter element             | 1    | See order table            |                 |
| <b>3</b>  | Seal Kit                   | 1    | NBR<br>02050218            | FPM<br>02050225 |
| <b>3a</b> | Filter element top seal    | 1    | O-R 4337<br>Ø 85,32 x 3,53 |                 |
| <b>3b</b> | Filter element bottom seal | 1    | O-R 4337<br>Ø 85,32 x 3,53 |                 |
| <b>3c</b> | Cover seal                 | 1    | O-R 233<br>Ø 181,00 x 6,99 |                 |
| <b>3d</b> | Head seal                  | 1    | 01026320                   | 01026326        |
| <b>3e</b> | Plug seal                  | 1    | 01017055                   |                 |

# Spare parts



| Item      | Description                   | Q.ty | FILTER Series<br>FRI 255    |                 |
|-----------|-------------------------------|------|-----------------------------|-----------------|
| <b>1</b>  | Filter assembly               | 1    | See order table             |                 |
| <b>2</b>  | Filter element                | 1    | See order table             |                 |
| <b>3</b>  | Seal Kit                      | 1    | NBR<br>02050013             | FPM<br>02050014 |
| <b>3a</b> | Filter element top seal       | 1    | O-R Metric<br>Ø 50 x 4      |                 |
| <b>3b</b> | Filter element bottom seal    | 1    | O-R Metric<br>Ø 50 x 4      |                 |
| <b>3c</b> | Cover seal                    | 1    | O-R Metric<br>Ø 113 x 4     |                 |
| <b>3d</b> | Head seal                     | 1    | O-R 4650<br>Ø 164,70 x 3,53 |                 |
| <b>4</b>  | Contamination retainer binder | 1    | 01060301                    |                 |

# Ordering information FRI

## Filter assembly

### FRI

Example: FRI

|                          |                          |                          |                          |                          |                          |                          |
|--------------------------|--------------------------|--------------------------|--------------------------|--------------------------|--------------------------|--------------------------|
| <b>1</b>                 | <b>2</b>                 | <b>3</b>                 | <b>4</b>                 | <b>5</b>                 | <b>6</b>                 | <b>8</b>                 |
| <input type="checkbox"/> | <input type="checkbox"/> | <input type="checkbox"/> | <input type="checkbox"/> | <input type="checkbox"/> | <input type="checkbox"/> | <input type="checkbox"/> |
| <b>040</b>               | <b>B</b>                 | <b>A</b>                 | <b>G1</b>                | <b>A10</b>               | <b>N</b>                 | <b>P01</b>               |

## Filter element

### CU

Example: CU

|                          |                          |                          |                          |
|--------------------------|--------------------------|--------------------------|--------------------------|
| <b>1</b>                 | <b>5</b>                 | <b>7</b>                 | <b>8</b>                 |
| <input type="checkbox"/> | <input type="checkbox"/> | <input type="checkbox"/> | <input type="checkbox"/> |
| <b>040</b>               | <b>A10</b>               | <b>N</b>                 | <b>P01</b>               |

### 1 - Style

| Filter     | Filter element |
|------------|----------------|
| <b>025</b> | <b>025</b>     |
| <b>040</b> | <b>040</b>     |
| <b>100</b> | <b>100</b>     |
| <b>250</b> | <b>250</b>     |
| <b>255</b> | <b>250</b>     |
| <b>630</b> | <b>630</b>     |
| <b>850</b> | <b>850</b>     |

### 5 - Filter element

|            |                           |  |
|------------|---------------------------|--|
| <b>A03</b> | Inorganic microfibre 3 μ  | } Absolute filtration<br>βx (c) ≥ 1000 |
| <b>A06</b> | Inorganic microfibre 6 μ  |  |
| <b>A10</b> | Inorganic microfibre 10 μ |  |
| <b>A16</b> | Inorganic microfibre 16 μ |  |
| <b>A25</b> | Inorganic microfibre 25 μ |  |
| <b>M25</b> | Wire mesh                 | } Nominal Filtration                   |
| <b>P10</b> | Resin impregnated paper   | } Nominal Filtration                   |
| <b>P25</b> | Resin impregnated paper   |  |

### 2 - By-pass valve

|          |                |
|----------|----------------|
| <b>B</b> | With bypass    |
| <b>S</b> | Without bypass |

### 6 - Δp Filter element

|          |           |
|----------|-----------|
| <b>N</b> | Δp 10 bar |
|----------|-----------|

### 3 - Filter seals & Treatment

|          |  |
|----------|--|
| <b>A</b> | NBR  |
| <b>V</b> | FPM  |
| <b>W</b> | NBR, Filter body anodized. Filter element compatible with fluid HFA, HFB, HFC (only for filter element type Axx and Mxx) |
| <b>Z</b> | FPM, Filter body anodized. Filter element compatible with fluid HFA, HFB, HFC (only for filter element type Axx and Mxx) |

### 7 - Filter element seals

|           |  |
|-----------|--|
| <b>N</b>  | NBR  |
| <b>V</b>  | FPM  |
| <b>W*</b> | NBR (only for filter element type Axx and Mxx) |
| <b>Z*</b> | FPM (only for filter element type Axx and Mxx) |

### 8 - Option

|            |                    |
|------------|--------------------|
| <b>P01</b> | MP Filtri standard |
|------------|--------------------|

\* Compatible with fluid HFA, HFB, HFC

### 4 - Connections

#### FRI 025

| Type      | A                     |
|-----------|-----------------------|
| <b>G1</b> | G 1/2"                |
| <b>G2</b> | 1/2" NPT              |
| <b>G3</b> | SAE 8 - 3/4" - 16 UNF |

#### FRI 040

| Type      | A                        |
|-----------|--------------------------|
| <b>G1</b> | G 3/4"                   |
| <b>G2</b> | 3/4" NPT                 |
| <b>G3</b> | SAE 12 - 1 1/16" - 12 UN |

#### FRI 100

| Type      | A                        |
|-----------|--------------------------|
| <b>G1</b> | G 1"                     |
| <b>G2</b> | 1" NPT                   |
| <b>G3</b> | SAE 16 - 1 5/16" - 12 UN |
| <b>F1</b> | 1" SAE 3000 psi/M        |
| <b>F2</b> | 1" SAE 3000 psi/UNC      |

#### FRI 255

| Type      | A                       |
|-----------|-------------------------|
| <b>G1</b> | G 1 1/2"                |
| <b>G2</b> | 1 1/2" NPT              |
| <b>G3</b> | SAE 24 - 1 7/8" - 12 UN |
| <b>G4</b> | G 1 1/4"                |
| <b>G5</b> | 1 1/4" NPT              |
| <b>G6</b> | SAE 20 - 1 5/8" - 12 UN |
| <b>F1</b> | 1 1/2" SAE 3000 psi/M   |
| <b>F2</b> | 1 1/2" SAE 3000 psi/UNC |

#### FRI 630

| Type      | A                       |
|-----------|-------------------------|
| <b>G1</b> | G 2 1/2"                |
| <b>G2</b> | 2 1/2" NPT              |
| <b>G3</b> | SAE 32 - 2 1/2" - 12 UN |
| <b>F1</b> | 2 1/2" SAE 3000 psi/M   |
| <b>F2</b> | 2 1/2" SAE 3000 psi/UNC |

#### FRI 850

| Type      | A                       |
|-----------|-------------------------|
| <b>F1</b> | 3 1/2" SAE 3000 psi/M   |
| <b>F2</b> | 3 1/2" SAE 3000 psi/UNC |

#### FRI 250

| Type      | A                       |
|-----------|-------------------------|
| <b>G1</b> | G 1 1/2"                |
| <b>G2</b> | 1 1/2" NPT              |
| <b>G3</b> | SAE 24 - 1 7/8" - 12 UN |
| <b>F1</b> | 1 1/2" SAE 3000 psi/M   |
| <b>F2</b> | 1 1/2" SAE 3000 psi/UNC |

Differential indicator FRI (see page 114)  
Clogging indicator only for FRI 255 (see page 112)

**MP Filtri** - The filter functions as described in this bulletin are valid exclusively for original MP Filtri filter elements and replacement parts. All rights reserved

The data in this publication are purely guideline. MP Filtri reserves the right to make changes to the models described herein at any time it deems fit in relation to technical or commercial requirements. The colours of the products shown on the cover are purely guideline. Copyright. All rights reserved.