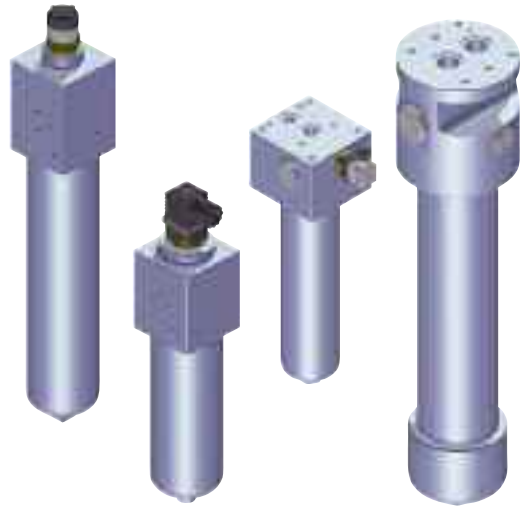


# FHM

**Maximum pressure 320 bar**  
**Flow rates to 450 l/min**



## Technical data

### Filter housing (Materials)

- Head: Cast iron (chemical heat treatment)
- Housing: Steel (chemical heat treatment)
- Bypass valve: Steel
- Check valve: Steel

### Pressure

- Working pressure: 320 bar (32 MPa)
- Test pressure: 480 bar (48 MPa)
- Burst pressure: 960 bar (96 MPa)
- Pulse pressure fatigue test: 1.000.000 cycles with pressure from 0 to 320 bar (32 MPa)

### Temperature

- From -25 °C to +110 °C

### Bypass valve

- Opening pressure 6 bar  $\pm$ 10%
- Other opening pressures on request.

### $\Delta p$ Elements type

- Microfibre filter elements series N: 20 bar
- Microfibre filter elements series H: 210 bar (excluded FHM 050 - 500)
- Microfibre filter elements series S: 210 bar (only for FHM 050 - 500)
- Wire mesh filter elements series N: 20 bar
- Fluid flow through the filter element from OUT to IN.

### Seals

- Standard NBR series A
- Optional FPM series V

### FHM FILTERS ARE PROVIDED FOR VERTICAL MOUNTING

#### Weights (kg)

Length	1	2	3	4	5
• FHM 006	2.17	-	-	-	-
• FHM 007	-	4.74	5.95	-	-
• FHM 010	-	4.74	5.95	-	-
• FHM 050	5.31	5.68	6.09	6.56	7.74
• FHM 065	5.47	5.83	7.04	-	-
• FHM 135	8.78	10.38	11.43	-	-
• FHM 320	19.8	21.93	24.22	26.70	-
• FHM 500	35	39.17	42.69	54.70	60.50

#### Volumes (dm<sup>3</sup>)

Length	1	2	3	4	5
• FHM 006	0.12	-	-	-	-
• FHM 007	-	0.30	0.50	-	-
• FHM 010	-	0.30	0.50	-	-
• FHM 050	0.29	0.38	0.48	0.60	0.89
• FHM 065	0.27	0.34	0.56	-	-
• FHM 135	0.49	0.82	1.03	-	-
• FHM 320	1.04	1.76	2.53	3.36	-
• FHM 500	1.63	2.35	2.96	5.11	6.44

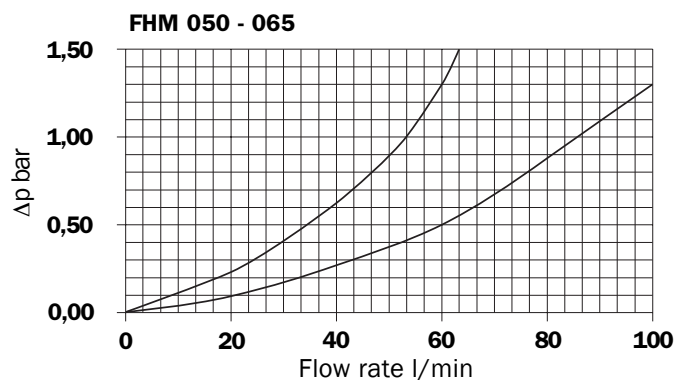
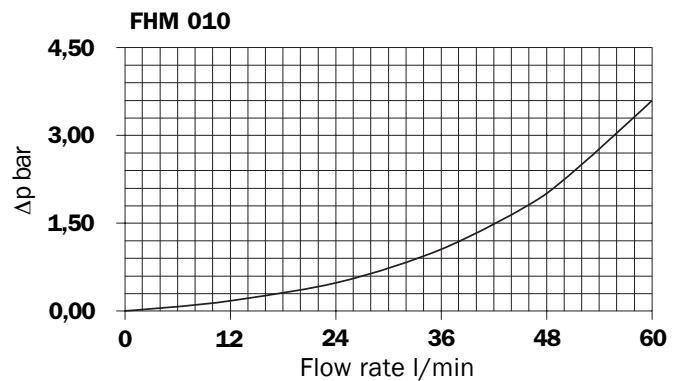
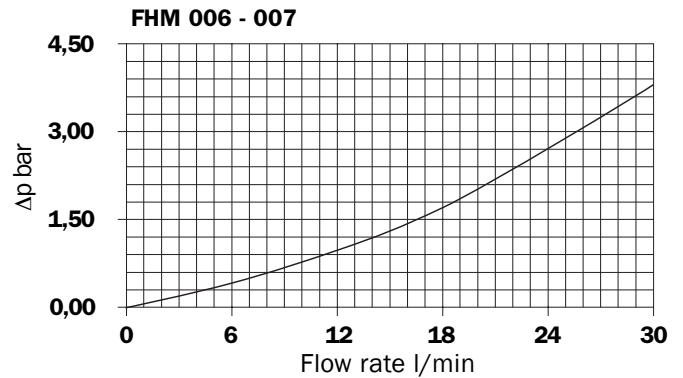
### Connections

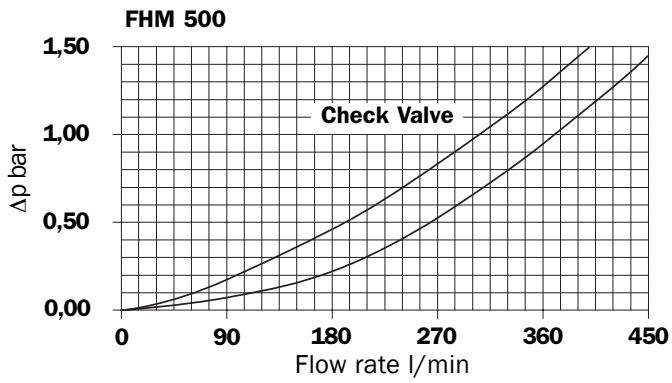
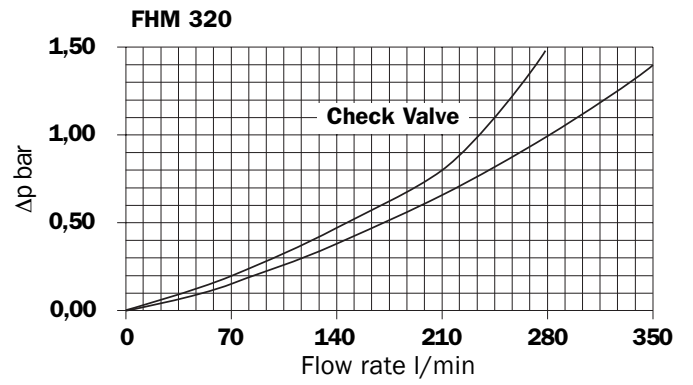
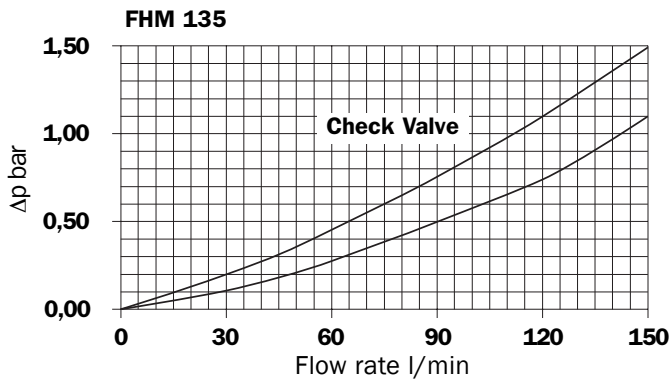
- In-line Inlet/Outlet

### Filter housings $\Delta p$ pressure drop

The curves are plotted utilising mineral oil with density of 0.86 kg/dm<sup>3</sup> to ISO 3968.

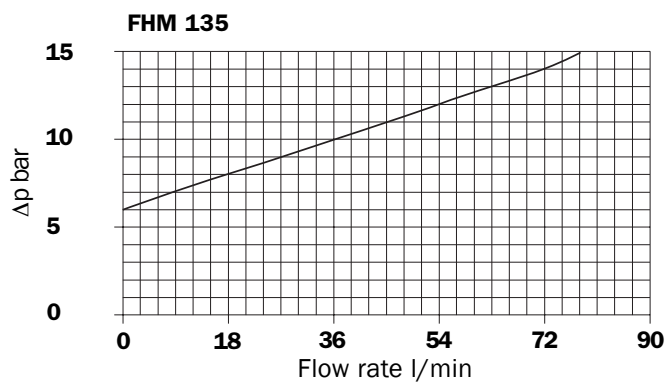
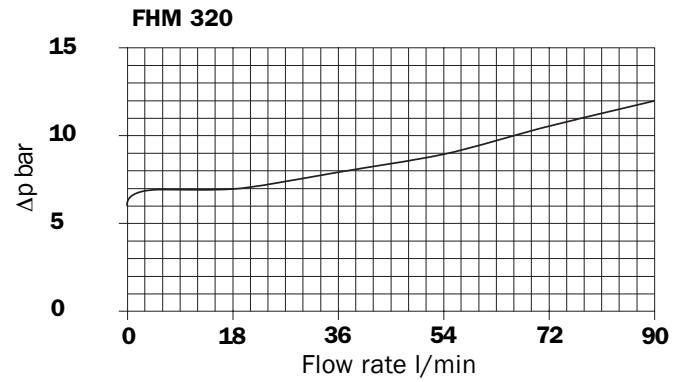
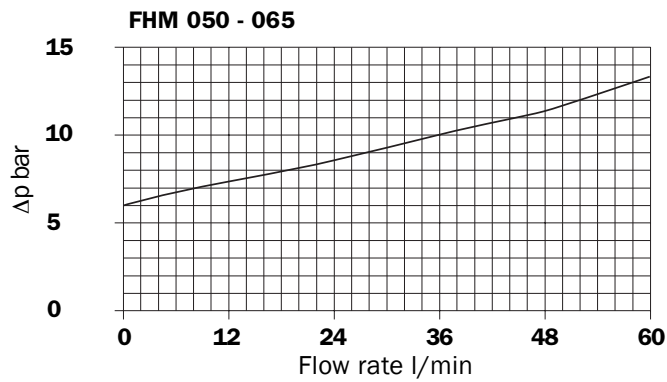
$\Delta p$  varies proportionally with density.





**Valves**

**Bypass valve pressure drop**



**Recommended maximum flow rate**

- Pressure drop of filter assembly equal to  $\Delta p$  1,5 bar.
- Oil kinematic viscosity 30 mm<sup>2</sup>/s (cSt).
- Density 0,86 kg/dm<sup>3</sup>.

**Filtration**

	Length	A03	A06	A10	A16	A25
<b>FHM 007</b>	2	12	13	14	15	16
	3	13	14	15	16	17

**Serie H - Flow rate l/min**

**Filtration**

	Length	A03	A06	A10	A16	A25	M25
<b>FHM 050</b>	1	38	39	65	67	80	100
	2	46	50	68	75	88	102
	3	56	58	75	80	93	103
	4	67	70	84	85	95	104
	5	81	82	93	95	100	105

**Serie N - Flow rate l/min**

**Filtration**

	Length	A03	A06	A10	A16	A25	M25
<b>FHM 065</b>	1	23	30	47	53	71	102
	2	30	44	58	63	80	103
	3	51	59	78	82	92	105

**Serie N - Flow rate l/min**

**Filtration**

	Length	A03	A06	A10	A16	A25	M25
<b>FHM 135</b>	1	60	65	98	104	130	149
	2	90	96	117	119	154	165
	3	118	119	143	145	156	167

**Serie N - Flow rate l/min**

**Filtration**

	Length	A03	A06	A10	A16	A25	M25
<b>FHM 320</b>	1	111	121	187	217	252	310
	2	200	215	280	292	320	328
	3	245	267	311	320	325	332
	4	266	280	314	325	336	340

**Serie N - Flow rate l/min**

**Filtration**

	Length	A03	A06	A10	A16	A25	M25
<b>FHM 500</b>	1	240	268	320	330	350	410
	2	275	298	345	350	375	420
	3	325	339	382	385	400	430
	4	348	370	395	400	410	440
	5	374	383	405	410	425	450

**Serie N - Flow rate l/min**

**Filtration**

	Length	A03	A06	A10	A16	A25
<b>FHM 006</b>	1	8	9	12	13	14

**Serie H - Flow rate l/min**

**Filtration**

	Length	A03	A06	A10	A16	A25
<b>FHM 010</b>	2	19	21	27	28	31
	3	26	27	31	32	33

**Serie H - Flow rate l/min**

**Filtration**

	Length	A03	A06	A10	A16	A25
<b>FHM 050</b>	1	28	36	50	52	62
	2	41	44	63	70	85
	3	51	53	71	77	90
	4	62	65	80	81	92
	5	73	74	83	88	97

**Serie H - Flow rate l/min**

**Filtration**

	Length	A03	A06	A10	A16	A25
<b>FHM 065</b>	1	22	23	43	50	67
	2	30	34	56	62	75
	3	51	57	76	81	91

**Serie H - Flow rate l/min**

**Filtration**

	Length	A03	A06	A10	A16	A25
<b>FHM 135</b>	1	45	51	83	85	122
	2	78	91	109	110	134
	3	102	111	130	136	146

**Serie H - Flow rate l/min**

**Filtration**

	Length	A03	A06	A10	A16	A25
<b>FHM 320</b>	1	97	102	156	162	228
	2	162	181	236	240	282
	3	206	233	275	280	305
	4	232	246	280	284	310

**Serie H - Flow rate l/min**

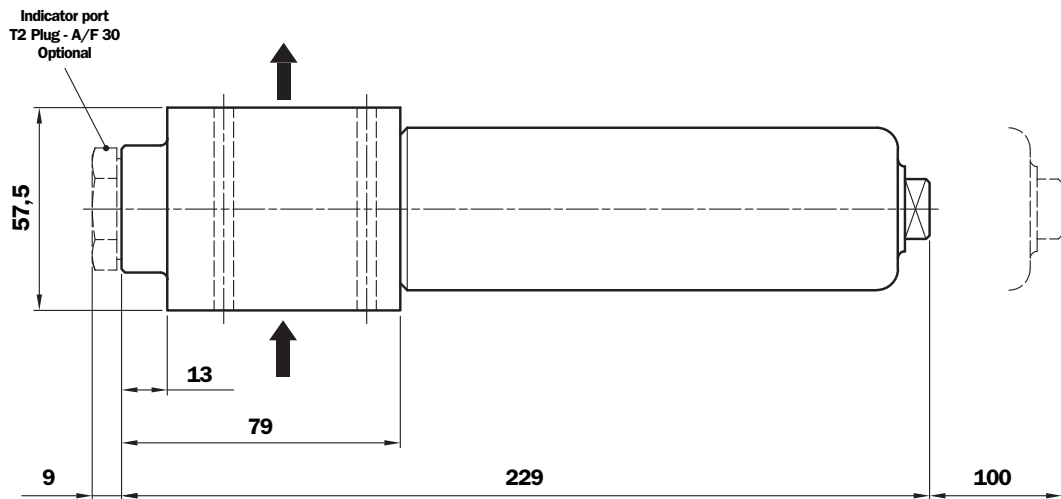
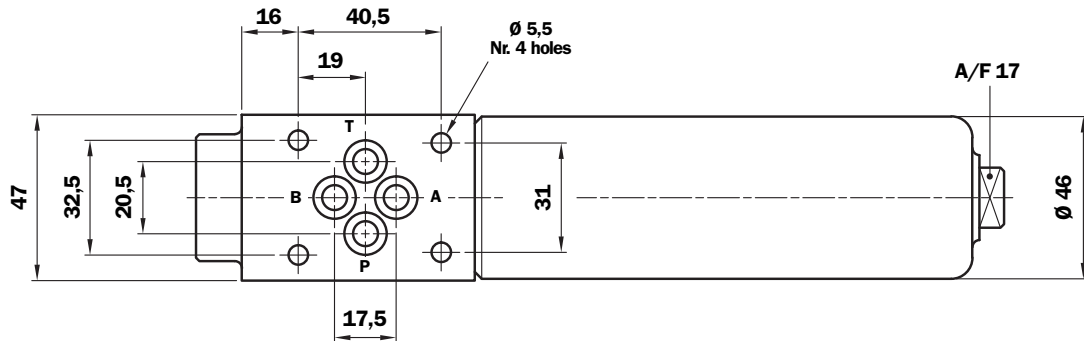
**Filtration**

	Length	A03	A06	A10	A16	A25
<b>FHM 500</b>	1	140	150	238	240	300
	2	210	235	298	305	325
	3	258	265	325	330	360
	4	287	315	360	365	390
	5	340	347	385	390	410

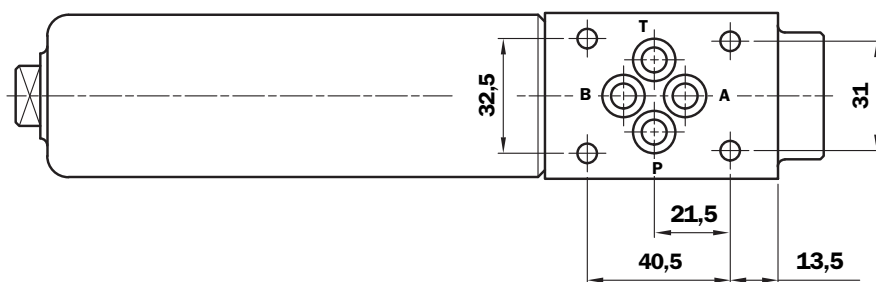
**Serie H - Flow rate l/min**

# FHM 006

## G1 - Housing side "A"



## G2 - Housing side "B"



### Manifold connections

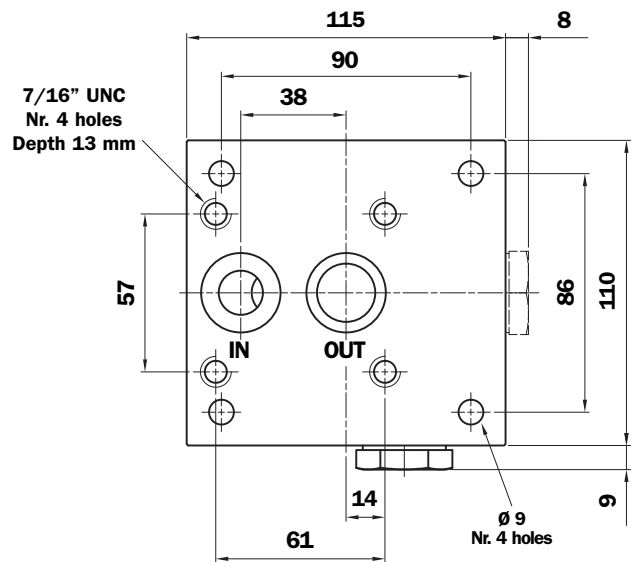
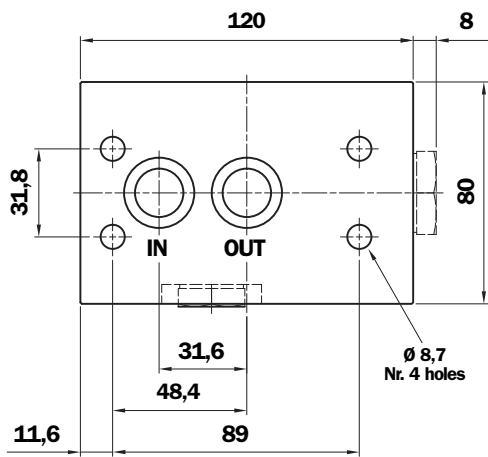
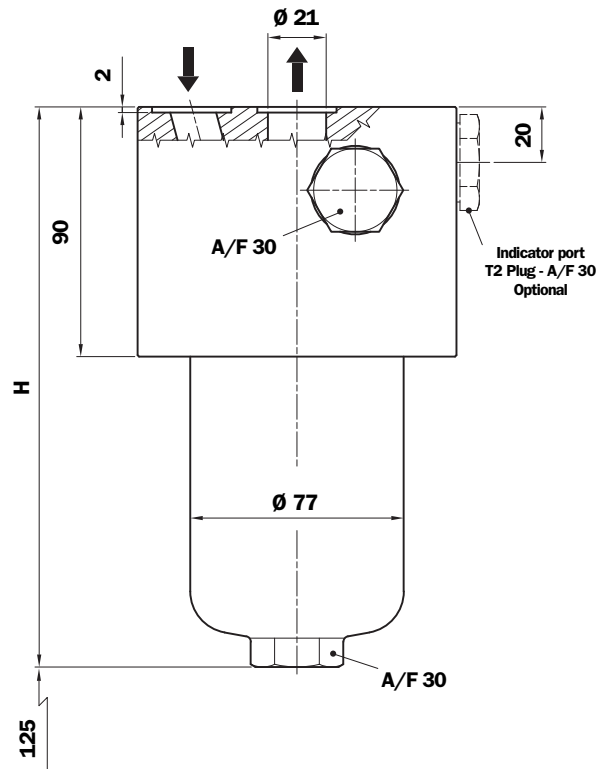
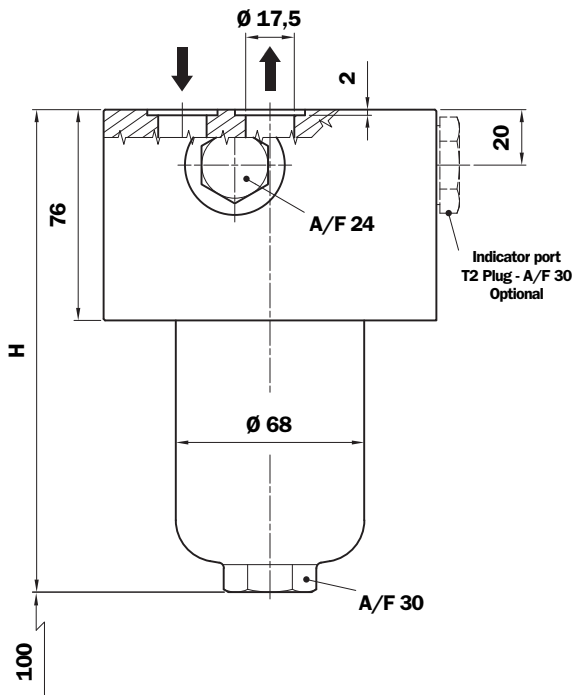
Type	Size
G1	Housing side "A"
G2	Housing side "B"





# FHM 050 - 065

# FHM 135



## FHM 050

Length Filter	H mm
1	154
2	191
3	233
4	281
5	403

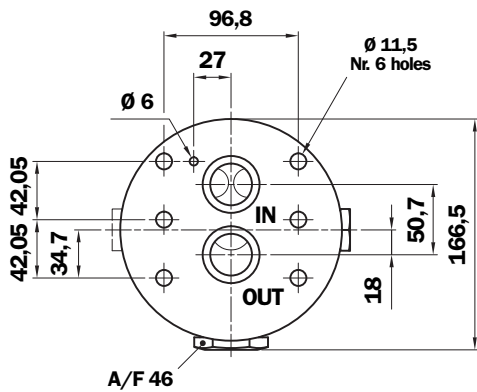
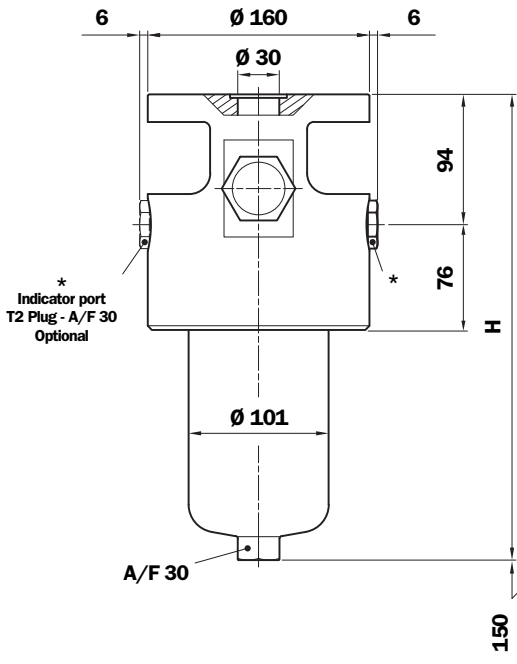
## FHM 065

Length Filter	H mm
1	162
2	193
3	295

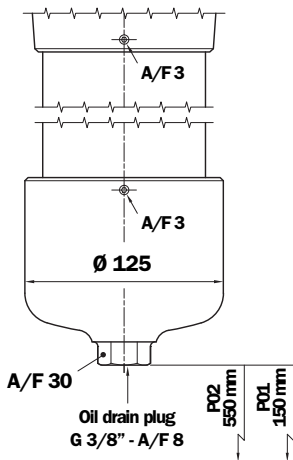
## FHM 135

Length Filter	H mm
1	202
2	315
3	390

# FHM 320

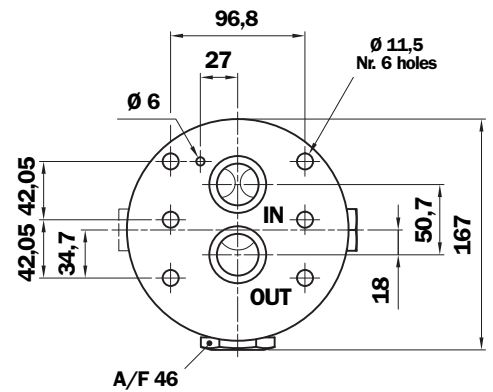
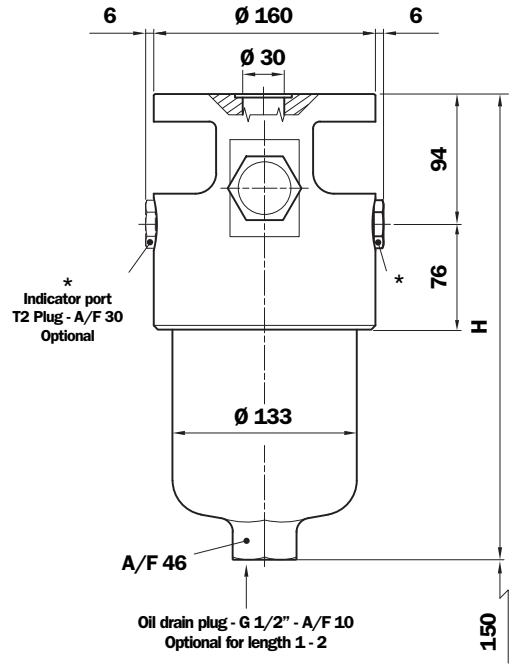


FHM 320 length 4

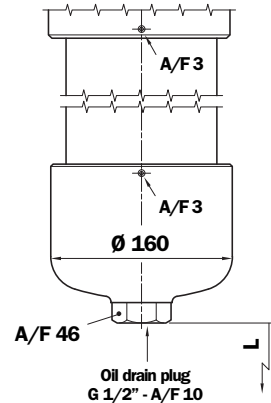


Style P01  
Standard maintenance from head.  
Style P02  
Maintenance option from housing base.

# FHM 500



FHM 500 length 4 - 5



## FHM 320

Length Filter	H mm
1	293
2	416
3	548
4	702

## FHM 500

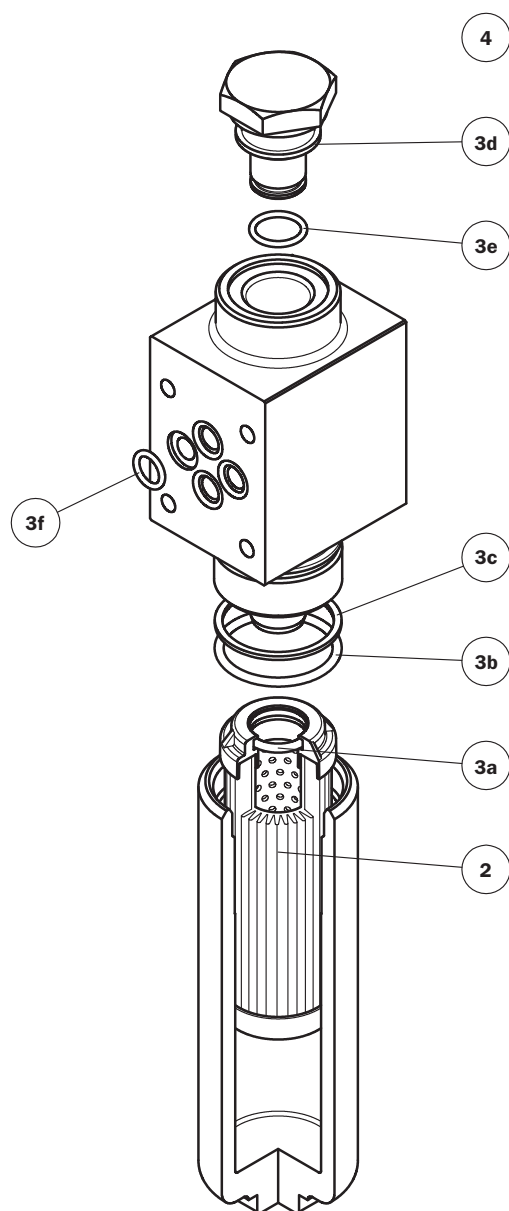
Length Filter	H mm
1	355
2	445
3	521
4	679
5	845

Style P01	
Filter length	L (mm)
4-5	150

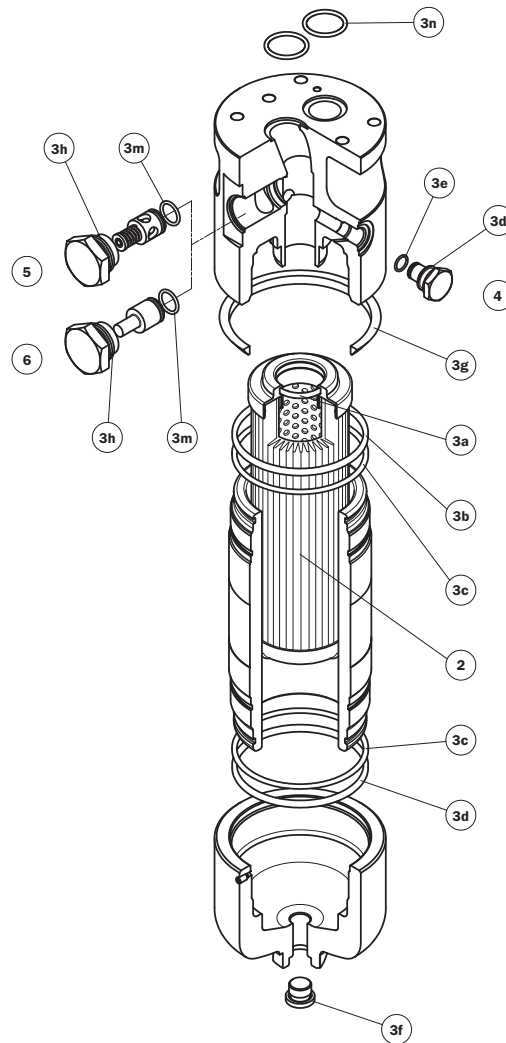
Style P02	
Filter length	L (mm)
4	480
5	650



# Spare parts



Item	Description	Q.ty	FILTER Series					
			FHM 006		FHM 007		FHM 010	
1	Filter assembly	1	See order table					
2	Filter element	1	See order table					
3	Seal Kit	1	NBR 02050324	FPM 02050325	NBR 02050600	FPM 02050601	NBR 02050320	FPM 02050321
3a	Filter element seal	1	O-R 121 Ø 15,88 x 2,62		O-R 4100 Ø 24,99 x 3,53		O-R 4100 Ø 24,99 x 3,53	
3b	Bowl seal	1	O-R 3125 Ø 31,22 x 2,62		O-R 3187 Ø 47,29 x 2,62		O-R 3187 Ø 47,29 x 2,62	
3c	Bowl anti-extrusion ring	1	Parbak 124 Ø 32,21 x 2,18		Parbak 134 Ø 48,08 x 2,18		Parbak 134 Ø 48,08 x 2,18	
3d	Gasket	1	01030058 (HNBR)	01030046 (FPM)	01030058 (HNBR)	01030046 (FPM)	01030058 (HNBR)	01030046 (FPM)
3e	O-Ring	1	O-R 2050 Ø 12,42 x 1,78		O-R 2050 Ø 12,42 x 1,78		O-R 2050 Ø 12,42 x 1,78	
3f	Head seal	1	4 pcs	O-R 108 Ø 8,73 x 1,78	4 pcs	O-R 108 Ø 8,73 x 1,78	5 pcs	O-R 2050 Ø 12,42 x 1,78
4	Indicator connection plug	1	T2H	T2V	T2H	T2V	T2H	T2V



Item	Description	Q.ty	FILTER Series FHM									
			FHM 050		FHM 065		FHM 135		FHM 320		FHM 500	
1	Filter assembly	1	See order table									
2	Filter element	1	See order table									
3	Seal kit	1	NBR 02050410	FPM 02050411	NBR 02050268	FPM 02050279	NBR 02050271	FPM 02050282	NBR 02050275	FPM 02050286	NBR 02050332	FPM 02050333
3a	Filter element seal	1	O-R 3093 Ø 23,67 x 2,62		O-R 4100 Ø 24,99 x 3,53		O-R 3106 Ø 26,65 x 2,62		O-R 144 Ø 39,69 x 3,53		O-R 153 Ø 49,21 x 3,53	
3b	Bowl seal	1	O-R 3225 Ø 56,82 x 2,62		O-R 159 Ø 55,56 x 3,53		O-R 3256 Ø 64,77 x 2,62		2 pcs. O-R 3350 Ø 88,57 x 2,62	2 pcs. O-R 4462 Ø 117,10 x 3,53		
3c	Bowl anti-extrusion ring	1	Parbak 139 Ø 56,03 x 2,18		Parbak 227 Ø 54,53 x 3		Parbak 144 Ø 63,96 x 2,18		2 pcs. Parbak 153 Ø 89,36 x 2,18	2 pcs. Parbak 247 Ø 117,63 x 3		
3d	Gasket	1	01030058 (HNBR)	01030046 (FPM)	01030058 (HNBR)	01030046 (FPM)	01030058 (HNBR)	01030046 (FPM)	01030058 (HNBR)	01030046 (FPM)	01030058 (HNBR)	01030046 (FPM)
3e	O-Ring	1	O-R 2050 Ø 12,42 x 1,78		O-R 2050 Ø 12,42 x 1,78		O-R 2050 Ø 12,42 x 1,78		O-R 2050 Ø 12,42 x 1,78		O-R 2050 Ø 12,42 x 1,78	
3f	Drain plug	1	-		-		-		G 3/8" with bonded seal		G 1/2" with bonded seal	
3g	Protective seal	1	01026521		01026521		01026509		01026510		-	
3h	Bp or no Bp O-Ring	1	O-R 121 (90 Sh A) Ø 15,88 x 2,62		O-R 121 (90 Sh A) Ø 15,88 x 2,62		O-R 3087 (90 Sh A) Ø 21,89 x 2,62		O-R 3143 (90 Sh A) Ø 36,14 x 2,62		O-R 3143 (90 Sh A) Ø 36,14 x 2,62	
3m	Bp or no Bp O-Ring	1	O-R 2031 Ø 7,66 x 1,78		O-R 2031 Ø 7,66 x 1,78		O-R 2037 Ø 9,25 x 1,78		O-R 3106 Ø 26,65 x 2,62		O-R 3106 Ø 26,65 x 2,62	
3n	Protective seal	2	O-R 3081 Ø 20,24 x 2,62		O-R 3081 Ø 20,24 x 2,628		O-R 3093 Ø 23,67 x 2,62		O-R 4137 Ø 34,52 x 3,53		O-R 4137 Ø 34,52 x 3,53	
4	Indicator connection plug	1	T2H	T2V	T2H	T2V	T2H	T2V	T2H	T2V	T2H	T2V
5	Bypass assembly	1	NBR 02001400	FPM 02001401	NBR 02001400	FPM 02001401	NBR 02001404	FPM 02001405	NBR 02001408	FPM 02001409	NBR 02001408	FPM 02001409
6	Non-Bypass assembly	1	NBR 02001402	FPM 02001403	NBR 02001402	FPM 02001403	NBR 02001406	FPM 02001407	NBR 02001410	FPM 02001411	NBR 02001410	FPM 02001411

# Ordering information FHM

## Filter assembly FHM

	<b>1</b>	<b>2</b>	<b>3</b>	<b>4</b>	<b>5</b>	<b>6</b>	<b>7</b>	<b>8a</b>
	<input type="checkbox"/>	<input type="checkbox"/>	<input type="checkbox"/>	<input type="checkbox"/>	<input type="checkbox"/>	<input type="checkbox"/>	<input type="checkbox"/>	<input type="checkbox"/>
<b>Example: FHM</b>	<b>050</b>	<b>1</b>	<b>S</b>	<b>A</b>	<b>F1</b>	<b>A03</b>	<b>H</b>	<b>P01</b>

## Filter element HP

	<b>1</b>	<b>2</b>	<b>6</b>	<b>4</b>	<b>7</b>	<b>8b</b>
	<input type="checkbox"/>	<input type="checkbox"/>	<input type="checkbox"/>	<input type="checkbox"/>	<input type="checkbox"/>	<input type="checkbox"/>
<b>Example: HP</b>	<b>050</b>	<b>1</b>	<b>A03</b>	<b>A</b>	<b>H</b>	<b>P01</b>

### 1 - Style

Filter	Filter element
<b>006</b>	⌘ See below
<b>007</b>	<b>065</b>
<b>010</b>	<b>065</b>
<b>050</b>	<b>050</b>
<b>065</b>	<b>065</b>
<b>135</b>	<b>135</b>
<b>320</b>	<b>320</b>
<b>500</b>	<b>500</b>

### 2 - Filter length

<b>006</b>	<b>1</b>				
<b>007</b>		<b>2</b>	<b>3</b>		
<b>010</b>		<b>2</b>	<b>3</b>		
<b>050</b>	<b>1</b>	<b>2</b>	<b>3</b>	<b>4</b>	<b>5</b>
<b>065</b>	<b>1</b>	<b>2</b>	<b>3</b>		
<b>135</b>	<b>1</b>	<b>2</b>	<b>3</b>		
<b>320</b>	<b>1</b>	<b>2</b>	<b>3</b>	<b>4</b>	
<b>500</b>	<b>1</b>	<b>2</b>	<b>3</b>	<b>4</b>	<b>5</b>

### 3 - Valves

<b>S</b>	Without bypass
<b>B</b>	With bypass
<b>T</b>	Without bypass + check valve*
<b>D</b>	With bypass + check valve*

\*Reduced cross-section oilways

N.B. Style 006 - 007 - 010 are available only in "S" version without bypass.

### 4 - Filter seals

<b>A</b>	NBR
<b>V</b>	FPM
<input type="checkbox"/>	On request

### 5 - Connections

#### Manifold

Type	Size FHM 006 - 007 - 010
<b>G1</b>	Housing side "A"
<b>G2</b>	Housing side "B"

Type	Size FHM 050 - 065 - 135 - 320 - 500
<b>F1</b>	-

### 6 - Filter element

<b>A03</b>	Inorganic microfibre 3 μ	Absolute filtration Inorganic Microfibre βx(c) ≥ 1000
<b>A06</b>	Inorganic microfibre 6 μ	
<b>A10</b>	Inorganic microfibre 10 μ	
<b>A16</b>	Inorganic microfibre 16 μ	
<b>A25</b>	Inorganic microfibre 25 μ	
<b>M25</b>	Wire mesh 25 μ	Nominal Filtration Metal mesh

### 7 - Max filter element differential pressure

<b>N</b>	Δp 20 bar (excluded FHM 006 - 007 - 010)
<b>H</b>	Δp 210 bar
<b>S</b>	Δp 210 bar (only for FHM 050 - 500)

### 8 - Option

#### a - Filter

<b>P01</b>	MP Filtri standard
<b>P02</b>	Maintenance from base of housing (only FHM 320 length 4 - FHM 500 length 4/5)
<b>Pxx</b>	Customer request

#### b - Filter element

<b>P01</b>	MP Filtri standard
<b>Pxx</b>	Customer request

#### ⌘ Filter element for FHM 006:

- HP 011 3 A03 x H P01
- HP 011 3 A06 x H P01
- HP 011 3 A10 x H P01
- HP 011 3 A16 x H P01
- HP 011 3 A26 x H P01
- HP 011 3 M25 x H P01

#### "x"= seal

<b>A</b>	NBR
<b>V</b>	FPM
<input type="checkbox"/>	On request

#### \* Indicator plug

Phosphated Steel plug T2 has to be ordered separately.

#### Code

<b>T2H</b>	Seal NBR
<b>T2V</b>	Seal FPM

**MP Filtri** - The filter functions as described in this bulletin are valid exclusively for original MP Filtri filter elements and replacement parts. All rights reserved

The data in this publication are purely guideline. MP Filtri reserves the right to make changes to the models described herein at any time it deems fit in relation to technical or commercial requirements. The colours of the products shown on the cover are purely guideline. Copyright. All rights reserved.